

Project

Type



Date

Product Code

Designer

# MINIMAX™ LED NSP LH-OBM

surface mounted LED open-aperture spotlight



MiniMax LED NSP LH-OBM is a 10° or 24° spotlight designed for mounting on a 4" octagonal outlet box (by others). Luminaire is powered by one of a number of Xicato LED modules – including 98 CRI Artist Series modules – all of which are distinguished by extraordinary color consistency (within 1x2-step MacAdam ellipse). See tables on the reverse for wattages and efficacies.

- Luminaire may be ordered with one of a number of drivers, all of which operate on either 120-volt or 277-volt service. Driver is housed in a seamless case measuring 4" x 5 1/2" x 1 15/16" deep.
- Quick Change Cartridge accepts one or two [Optical Accessories](#), including spread lenses, color filters and screens. A complimentary Beam Smoother is included.
- Beam spread is changed by removing the Quick Change Cartridge, replacing one 'twist and lock' [reflector](#) with another, and replacing the cartridge. Luminaire is ordered with a single reflector; one or both of the other reflectors may be ordered as accessories.
- A concealed swivel provides 385° horizontal rotation and vertical adjustment from 0° to 90°. The swivel is permanently tensioned, allowing the luminaire to remain fixed at any angle. Luminaire can be locked in place by depressing a hinged ('lever lock') bar so that it lies flush with the top of the housing. Lifting the lever lock frees the swivel.
- MiniMax luminaires have seamless aluminum housings and cast aluminum tops for lightweight durability and heat dissipation.
- For more information, [click here](#).

### MODIFICATIONS AVAILABLE

Contact factory with quantity for pricing; orders may require shop drawing approval.  
For modified stem lengths up to 72", add the following to the end of the product code:  
+ number of inches.

## PRODUCT CODE

For complete product code, list basic unit and select one item from each following box.

Basic Unit .....MM-XTS-OH-OB

### Driver Choose one.

dimable to 1% by a 0-10V dimmer on 120 or 277-volt service ..... - DMV  
 dimable to 5% or 10% (see Light Output box below) by either an incandescent or ELV dimmer; 120-volt service only ..... - DMP  
 eldoLED 0-10V (Logarithmic) driver dimmable to 0.1% with a 0-10V dimmer on 120 or 277-volt service ..... - DVOELG  
 eldoLED 0-10V (Linear) driver dimmable to 0.1% with a 0-10V dimmer on 120 or 277-volt service ..... - DVOELN  
 eldoLED driver dimmable to 0.1%, compatible with DALI control system ..... - DA0-EL  
 Moons' driver dimmable to 0.1%, compatible with DMX controllers ..... - DX0

For a model that dims wirelessly, see [MiniMax NSP LH-OBM Bluetooth](#)

### Finish

white: ..... - WH  
 black: ..... - BL  
 Industrial Silver: ..... - SI  
 custom color: *identify color in specification* ..... - CC

### Light Source Output

700 lumens / CRI 98 Artist ..... DMP (10%) ..... - 07A  
 1000 lumens / CRI 98 Artist ..... DMP (5%) ..... - 10A  
 1000 lumens / CRI 80+ standard ..... DMP (10%) ..... - 10S  
 1000 lumens / CRI 80+ Vibrant ..... 3000K only ..... DMP (10%) ..... - 10V  
 1300 lumens / CRI 80+ standard ..... DMP (5%) ..... - 13S  
 1300 lumens / CRI 80+ Vibrant ..... 3000K only ..... DMP (5%) ..... - 13V

### Light Color

2700 K ..... - 27K  
 3000 K ..... - 30K  
 3500 K ..... - 35K  
 4000 K ..... - 40K

### Beam Spread Reflector (specify one to ship with fixture)

10° narrow spot ..... - 10D  
 24° spot ..... - 24D

► For luminaires modified for 50A or 60A track systems, contact factory.

## EXTRA REFLECTORS *Specify as separate line items.*

10° narrow spot reflector .....XTS-REF10-70  
 24° spot reflector .....XTS-REF24-70

## OPTICAL ACCESSORIES ▼ *See next page*



41-50 22<sup>ND</sup> STREET, LIC NY 11101 TEL 718.685.0700 FAX 718.786.8530 www.epl.com

©Copyright, Edison Price Lighting 2019  
MiniMax is a pending trademark of Edison Price Lighting.

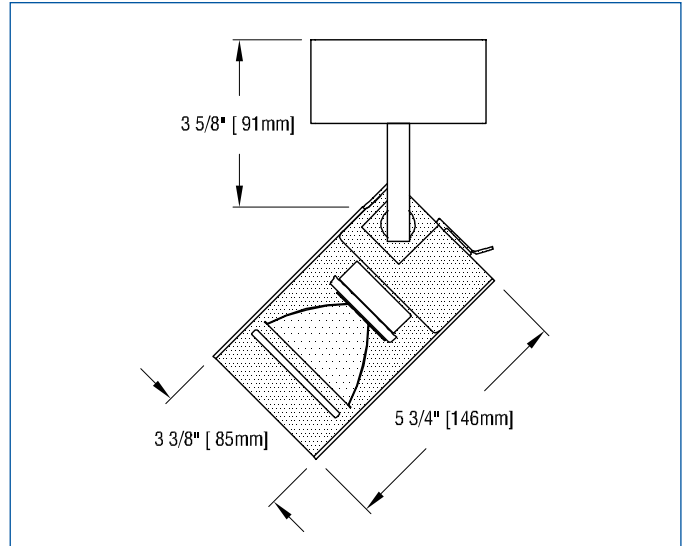
LED 0-205 8:19

## OPTICAL ACCESSORIES

Specify as separate line items.

All are 2 3/4" (70mm) dia. Lenses and filters are glass; screens are aluminum.

|  |                |
|--|----------------|
| <b>diffuse glass</b> .....                       | DGS/2.75       |
| <b>prismatic lens</b> (Solite) .....             | PLS/2.75       |
| <b>55° spread lens</b> .....                     | LENS/2.75      |
| <b>40° x 70° spread lens</b> .....               | LENS/2.75-4070 |
| <b>beam smoother</b> included with fixture ..... | CLR/2.75       |
| <b>color filters</b>                             |                |
| Daylight Blue .....                              | DAY/2.75       |
| Surprise Pink .....                              | PNK/2.75       |
| amber .....                                      | AMB/2.75       |
| blue .....                                       | BLU/2.75       |
| green .....                                      | GRN/2.75       |
| red .....  | RED/2.75       |
| <b>33% light reduction screen</b> .....          | SCR33/2.75     |
| <b>50% light reduction screen</b> .....          | SCR50/2.75     |



## APPLICATIONS

Luminaire is  listed for Damp Location mounting on a standard 4" octagonal outlet box (by others).

– see below for photometric reports –

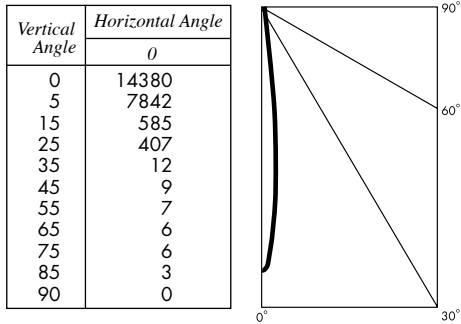


## PHOTOMETRIC REPORT with 10° reflector (tested per IESNA LM-79-2008)

Verification Services Report No. 1197590. Original test report furnished upon request.

Luminaire ..... surface-mounted LED accent light with a 10° reflector and black lens holder (NO LENS)  
 Lamp ..... Xicato XTM 9mm LED Module, 1300 lumens, 3000K  
 Lamp Life ..... rated 50,000 hours based on L70/B50 criteria. LM80 report by LED manufacturer furnished upon request

### CANDLEPOWER DISTRIBUTION



### LUMINAIRE LIGHT OUTPUT AND EFFICACY

| LED Module Type                | Luminaire Light Output | Luminaire CBCP | Luminaire Efficacy (lms/watt) | System Wattage |
|--------------------------------|------------------------|----------------|-------------------------------|----------------|
| 700 Lumens Artist              | 496*                   | 7909*          | 35*                           | 14             |
| 1000 Lumens Artist             | 649*                   | 10,353*        | 34*                           | 19             |
| 1000 Lumens standard & Vibrant | 685*                   | 10,929*        | 49*                           | 14             |
| 1300 Lumens standard & Vibrant | 901                    | 14,380         | 47                            | 19             |

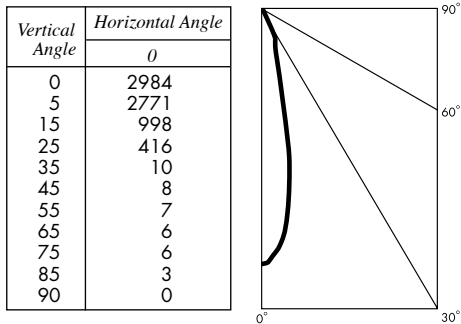
\*estimated values

## PHOTOMETRIC REPORT with 24° reflector (tested per IESNA LM-79-2008)

Verification Services Report No. 1197592. Original test report furnished upon request.

Luminaire ..... surface-mounted LED accent light with a 24° reflector and black lens holder (NO LENS)  
 Lamp ..... Xicato XTM 9mm LED Module, 1300 lumens, 3000K  
 Lamp Life ..... rated 50,000 hours based on L70/B50 criteria. LM80 report by LED manufacturer furnished upon request

### CANDLEPOWER DISTRIBUTION



### LUMINAIRE LIGHT OUTPUT AND EFFICACY

| LED Module Type                | Luminaire Light Output | Luminaire CBCP | Luminaire Efficacy (lms/watt) | System Wattage |
|--------------------------------|------------------------|----------------|-------------------------------|----------------|
| 700 Lumens Artist              | 393*                   | 1641*          | 28*                           | 14             |
| 1000 Lumens Artist             | 514*                   | 2148*          | 27*                           | 19             |
| 1000 Lumens standard & Vibrant | 543*                   | 2268*          | 39*                           | 14             |
| 1300 Lumens standard & Vibrant | 714                    | 2984           | 37                            | 19             |

\*estimated values

## STANDARD DRIVER INFORMATION (UL Class 2, dry and damp location)

| Voltage                                   | 120             | 277             |
|---|-----------------|-----------------|
| Input Watts (L07A/L10A/L10S&V/13S&V)      | 14/19/14/19     | 14/19/14/19     |
| Input Current(A) (L07A/L10A/L10S&V/13S&V) | .12/.16/.12/.16 | .05/.07/.05/.07 |
| Output Current (mA)                       | 500-700         | 500-700         |
| Min. Power Factor                         | .99             | .99             |
| Operating Temperature Range (F)           | -13 to 122      | -13 to 122      |

## LIGHT OUTPUT MULTIPLIER

| LED Module Type                | Light Output Multiplier |
|--------------------------------|-------------------------|
| 700 Lumens Artist              | .55*                    |
| 1000 Lumens Artist             | .72*                    |
| 1000 Lumens standard & Vibrant | .76*                    |
| 1300 Lumens standard & Vibrant | 1.0                     |

\*estimated values