

# MINIMAX™ NSP LH-OBM BLUETOOTH

surface mounted addressable LED open-aperture spotlight



- **Luminaire is equipped with a Xicato XIM Gen4 LED module, an IOT device with embedded micro-processor and Bluetooth Low Energy chip**, controllable via a smart device with iOS or Windows based apps. Features include
  - standard Bluetooth Wireless connectivity
  - addressable individually
  - on/off control
  - dimming to 0.1%. Combination with integral rotary dimmer available as modification.
  - data collection and storage for power consumption and LED performance
  - direct listening to switches and sensors
  - embedded Eddystone, iBeacon and/or AltBeacon beacons
- **Quick Change Cartridge accepts one or two [Optical Accessories](#)**, including spread lenses, color filters and screens. A complimentary Beam Smoother is included.
- **Beam spread is changed by removing the Quick Change Cartridge**, replacing one 'twist and lock' [reflector](#) with another, and replacing the cartridge. Luminaire is ordered with a single reflector; one or both of the other reflectors may be ordered as accessories.
- **A concealed swivel provides 385° horizontal rotation and vertical adjustment from 0° to 90°**. The swivel is permanently tensioned, allowing the luminaire to remain fixed at any angle. Luminaire can be locked in place by depressing a hinged ('lever lock') bar so that it lies flush with the top of the housing. Lifting the lever lock frees the swivel.
- **MiniMax luminaires have seamless aluminum housings and cast aluminum tops for lightweight durability and heat dissipation.**
- **For more information, [click here](#).**

MiniMax NSP LH-OBM **Bluetooth** is a 10° or 24° spotlight designed for mounting on a 4" octagonal outlet box (by others). Luminaire is powered by one of a number of Xicato XIM Gen4 9mm LED modules – including 98 CRI Artist Series modules – all of which are distinguished by extraordinary color consistency (within 1x2-step MacAdam ellipse). See tables on the reverse for wattages and efficacies.

## PRODUCT CODE

For complete product code, list basic unit and select one item from each following box.

Basic Unit.....MM-XIS-OB-OH

Finish  
 white: ..... WH  
 black: ..... BL  
 Industrial Silver: ..... SI  
 custom color: *identify color in specification*. ..... CC

Beam Spread Reflector (*specify one to ship with fixture*)  
 10° narrow spot..... 10D  
 24° spot..... 24D

Light Source Output  
 700 lumens / CRI 98 Artist ..... L07A  
 700 lumens / CRI 80+ standard ..... L07S  
 700 lumens / CRI 80+ Vibrant..... L07V  
 1000 lumens / CRI 98 Artist ..... L10A  
 1300 lumens / CRI 80+ standard ..... L13S  
 1300 lumens / CRI 80+ Vibrant..... L13V

Light Color  
 2700 K ..... 27K  
 3000 K ..... 30K  
 3500 K ..... 35K  
 4000 K ..... 40K

**Circuit Limitations**  
 Luminaire operates only on circuits with  
 • no dimmer on the circuit – or –  
 • a 0-10V dimmer on the circuit.

## EXTRA REFLECTORS *Specify as separate line items.*

10° narrow spot reflector .....XTS-REF10-70  
 24° spot reflector .....XTS-REF24-70

**USB Key**  
 To address this fixture from a Windows-based PC, laptop or tablet, a USB key (dongle) is required. Contact factory for USB key.

## OPTICAL ACCESSORIES ▼ *See next page*

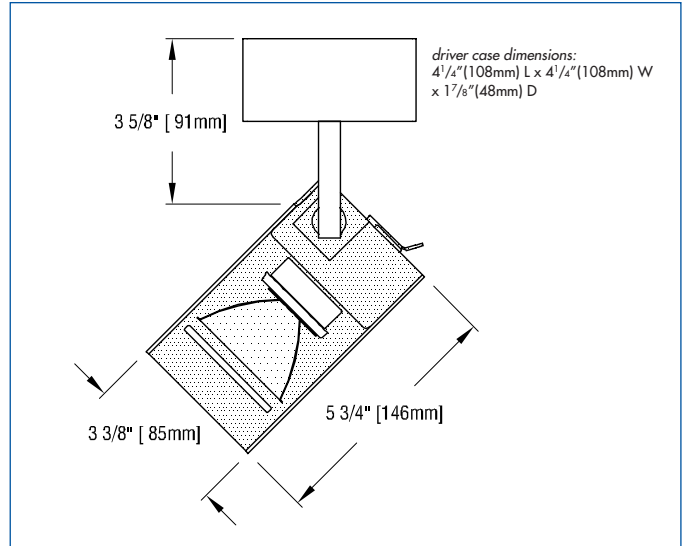


## OPTICAL ACCESSORIES

Specify as separate line items.

All are 2 3/4" (70mm) dia. Lenses and filters are glass; screens are aluminum.

<b>diffuse glass</b> .....	DGS/2.75
<b>prismatic lens</b> (Solite) .....	PLS/2.75
<b>55° spread lens</b> .....	LENS/2.75
<b>40° x 70° spread lens</b> .....	LENS/2.75-4070
<b>beam smoother</b> <i>included with fixture</i> .....	CLR/2.75
<b>color filters</b>	
Daylight Blue .....	DAY/2.75
Surprise Pink .....	PNK/2.75
amber .....	AMB/2.75
blue .....	BLU/2.75
green .....	GRN/2.75
red .....	RED/2.75
<b>33% light reduction screen</b> .....	SCR33/2.75
<b>50% light reduction screen</b> .....	SCR50/2.75



## APPLICATIONS

Luminaire is suitable for 120-volt or 277-volt electrical service and listed for Damp Location mounting on a standard 4" octagonal outlet box (by others).

– see below for photometric reports –

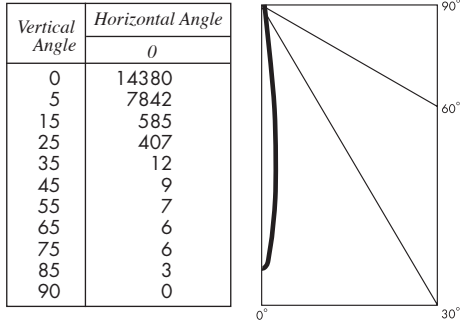


## PHOTOMETRIC REPORT with 10° reflector (tested per IESNA LM-79-2008)

Prorated from Verification Services Report No. 1197590. Original test report furnished upon request.

Luminaire ..... surface-mounted LED accent light with a 10° reflector and black lens holder (NO LENS)  
 Lamp ..... Xicato XIM 9mm LED Module, 1300 lumens, 3000K  
 Lamp Life ..... rated 50,000 hours based on L70/B50 criteria. LM80 report by LED manufacturer furnished upon request

### CANDLEPOWER DISTRIBUTION (Candela)



### LUMINAIRE LIGHT OUTPUT AND EFFICACY

LED Module Type	Luminaire Light Output	Luminaire CBCP	Luminaire Efficacy (lms/watt)	System Wattage
700 Lumens Artist	496*	7909*	36*	14
700 Lumens standard & Vibrant	496*	7909*	42*	11
1000 Lumens Artist	693*	11,058*	31*	23
1300 Lumens standard & Vibrant	901	14,380	47	19

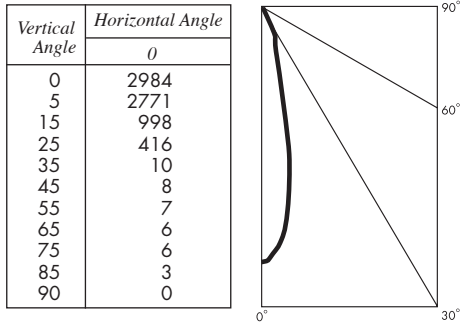
\*estimated values

## PHOTOMETRIC REPORT with 24° reflector (tested per IESNA LM-79-2008)

Prorated from Verification Services Report No. 1197592. Original test report furnished upon request.

Luminaire ..... surface-mounted LED accent light with a 24° reflector and black lens holder (NO LENS)  
 Lamp ..... Xicato XIM 9mm LED Module, 1300 lumens, 3000K  
 Lamp Life ..... rated 50,000 hours based on L70/B50 criteria. LM80 report by LED manufacturer furnished upon request

### CANDLEPOWER DISTRIBUTION (Candela)



### LUMINAIRE LIGHT OUTPUT AND EFFICACY

LED Module Type	Luminaire Light Output	Luminaire CBCP	Luminaire Efficacy (lms/watt)	System Wattage
700 Lumens Artist	393*	1641*	28*	14
700 Lumens standard & Vibrant	393*	1641*	35*	11
1000 Lumens Artist	549*	2,295*	24*	23
1300 Lumens standard & Vibrant	714	2,984	37	19

\*estimated values

## STANDARD DRIVER INFORMATION (UL Class 2, dry and damp location)

Voltage	120	277
Input Watts (L07A/L10A/L7S&V/13S&V)	14/23/11/19	14/23/11/19
Input Current(A) (L07A/L10A/L7S&V/13S&V)	.12/.19/.09/.16	.05/.08/.04/.07
Output Voltage (V)	48	48
Min. Power Factor	0.90	0.90
Operating Temperature Range (F)	-13 to 122	-13 to 122

## LIGHT OUTPUT MULTIPLIER

LED Module Type	Light Output Multiplier
700 Lumens Artist	.55*
700 Lumens standard & Vibrant	.55*
1000 Lumens Artist	.77*
1300 Lumens standard & Vibrant	1

\*estimated values