

# MIDIMAX™ O LH-OBM BLUETOOTH

surface mounted addressable LED open-aperture accent light



- Luminaire is equipped with a Xicato XIM Gen4 LED module, an IOT device with embedded micro-processor and Bluetooth Low Energy chip, controllable via a smart device with iOS or Windows based apps. Features include
  - standard Bluetooth Wireless connectivity
  - addressable individually
  - on/off control
  - dimming to 0.1%. Combination with integral rotary dimmer available as modification.
  - data collection and storage for power consumption and LED performance
  - direct listening to switches and sensors
  - embedded Eddystone, iBeacon and/or AltBeacon beacons
- Fixture is designed for mounting on a 4" octagonal outlet box (by others).
- Beam spread is changed by removing the spring-mounted lens holder assembly, replacing one 'twist and lock' reflector with another, and re-inserting the lens holder assembly. Luminaire is ordered with a single reflector; one or both of the other reflectors may be ordered as accessories.
- A concealed swivel provides 385° horizontal rotation and vertical adjustment from 0° to 90°. The swivel is permanently tensioned, allowing the luminaire to remain fixed at any aiming angle.
- Luminaire accepts one or two of a number of [Optical Accessories](#), including spread lenses, color filters and light reduction screens. A complimentary Beam Smoother is included.
- MidiMax luminaires have seamless aluminum housings and cast aluminum tops for lightweight durability and heat dissipation.
- For more information, [click here](#).

## MODIFICATIONS AVAILABLE

Contact factory with quantity for pricing; orders may require shop drawing approval.

For modified stem lengths up to 72", add the following to the end of the product code:  
+ number of inches.

MidiMax O LH-OBM Bluetooth is a surface mounted accent light powered by one of a number of Xicato XIM Gen4 19mm LED modules, all of which are distinguished by extraordinary color consistency (within 1x2-step MacAdam ellipse). See tables on the reverse for wattages and efficacies.

## PRODUCT CODE

For complete product code, list basic unit and select one item from each following box.

Basic Unit .....	LX2-XIM-OB-OH
<b>Finish</b>	
white .....	- WH
black .....	- BL
Industrial Silver .....	- SI
custom color .....	- CC
<b>Beam Spread Reflector</b> (specify one to ship with fixture)	
20° spot .....	- 20D
40° flood .....	- 40D
60° wide flood .....	- 60D
<b>Light Source Output</b>	
1300 lumens / CRI 98 Artist .....	- 13A
1300 lumens / CRI 80+ standard .....	- 13S
1300 lumens / CRI 80+ Vibrant .....	3000K only -13V
<b>Light Color</b>	
2700 K .....	- 27K
3000 K .....	- 30K
3500 K .....	- 35K
4000 K .....	- 40K
<b>Circuit Limitations</b>	
Luminaire operates only on circuits with	
<ul style="list-style-type: none"> <li>• no dimmer on the circuit – or –</li> <li>• a 0-10V dimmer on the circuit.</li> </ul>	

► For luminaires modified for 50A or 60A track systems, contact factory.

## EXTRA REFLECTORS *Specify as separate line items.*

20° spot reflector .....	XTM-REF20-72
40° flood reflector .....	XTM-REF40-72
60° wide flood reflector .....	XTM-REF60-70

### USB Key

To address this fixture from a Windows-based PC, laptop or tablet, a USB key (dongle) is required. Contact factory for USB key.

## OPTICAL ACCESSORIES ▼ *See next page*

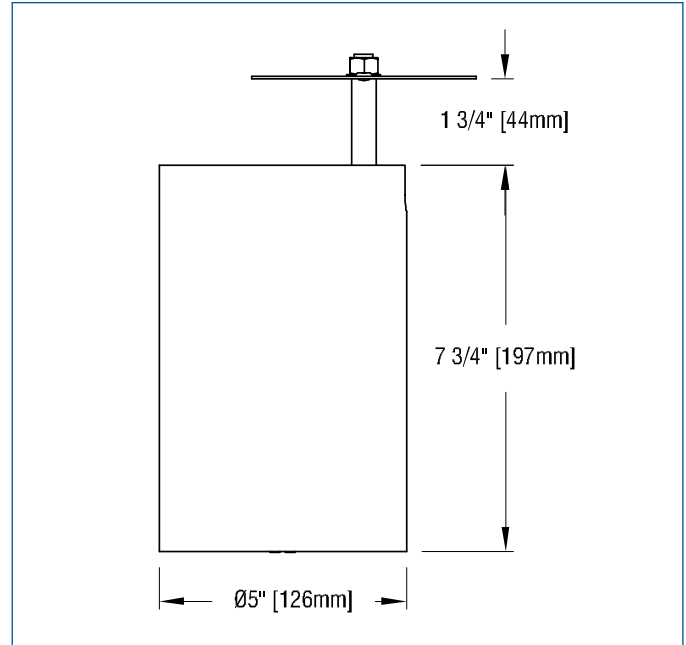


## OPTICAL ACCESSORIES

Specify as separate line items.

All are 3 3/4" (95mm) dia. Lenses and filters are glass; screens are aluminum.

<b>55° spread lens</b> .....	LENS/3.75
<b>40° x 70° spread lens</b> .....	LENS/3.75-4070
<b>prismatic lens (Solite)</b> .....	PLS/3.75
<b>beam smoother included with fixture</b> .....	CLR/3.75
<b>color filters</b>	
Daylight Blue .....	DAY/3.75
Surprise Pink .....	PNK/3.75
amber .....	AMB/3.75
blue .....	BLU/3.75
green .....	GRN/3.75
red .....	RED/3.75
<b>33% light reduction screen</b> .....	SCR33/3.75
<b>50% light reduction screen</b> .....	SCR50/3.75



## APPLICATIONS

Luminaire is suitable for highlighting vertical or horizontal surfaces, as well as objects in museums, galleries, showrooms, residences, offices and stores. Fixture is suitable for 120-volt or 277-volt electrical service and is listed for mounting on a standard 4" octagonal outlet box (by others).

– see below for photometric reports –



## PHOTOMETRIC REPORT with 20° reflector (tested per IESNA LM-79-2008)

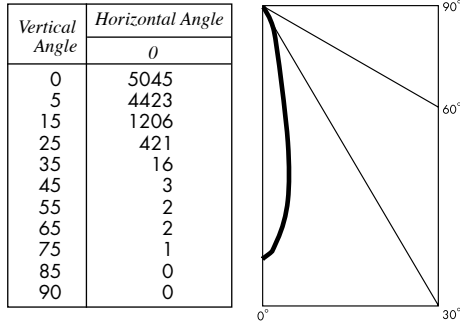
Prorated from Verification Services Report No. 1164146. Original test report furnished upon request.

Luminaire ..... surface-mounted LED accent light with a 20° reflector and black lens holder (NO LENS)

Lamp ..... Xicato 19mm XIM LED Module, 1300 lumens, 3000K, 80 CRI

Lamp Life ..... rated 50.000 hours based on L70/B50 criteria. LM80 report by LED manufacturer furnished upon request

### CANDLEPOWER DISTRIBUTION



### LUMINAIRE LIGHT OUTPUT AND EFFICACY

LED Module Type	Luminaire Light Output	Luminaire Efficacy (lms/watt)	System Wattage
1300 Lumens standard & Vibrant	914*	61*	15
1300 Lumens Artist	914*	47*	19

\*estimated values

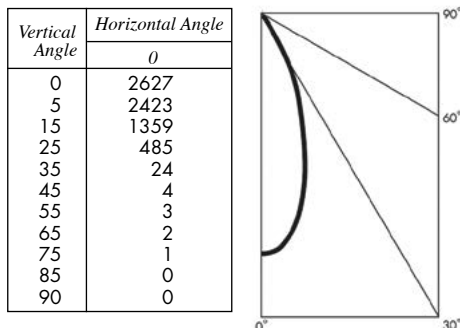
## PHOTOMETRIC REPORT with 40° reflector (tested per IESNA LM-79-2008)

Prorated from Verification Services Report No. 1164147. Original test report furnished upon request.

Luminaire ..... surface-mounted LED accent light with a 40° reflector and black lens holder (NO LENS)

Lamp ..... Xicato 19mm XIM LED Module, 1300 lumens, 3000K, 80 CRI      Lamp Life ..... see above

### CANDLEPOWER DISTRIBUTION



### LUMINAIRE LIGHT OUTPUT AND EFFICACY

LED Module Type	Luminaire Light Output	Luminaire Efficacy (lms/watt)	System Wattage
1300 Lumens standard & Vibrant	843*	56*	15
1300 Lumens Artist	843*	43*	19

\*estimated values

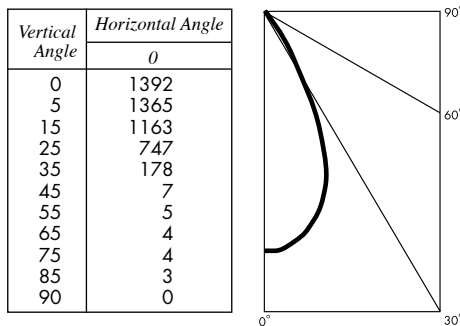
## PHOTOMETRIC REPORT with 60° reflector (tested per IESNA LM-79-2008)

Prorated from Verification Services Report No. 1164148. Original test report furnished upon request.

Luminaire ..... surface-mounted LED accent light with a 60° reflector and black lens holder (NO LENS)

Lamp ..... Xicato 19mm XIM LED Module, 1300 lumens, 3000K, 80 CRI      Lamp Life ..... see above

### CANDLEPOWER DISTRIBUTION



### LUMINAIRE LIGHT OUTPUT AND EFFICACY

LED Module Type	Luminaire Light Output	Luminaire Efficacy (lms/watt)	System Wattage
1300 Lumens standard & Vibrant	919*	62*	15
1300 Lumens Artist	919*	47*	19

\*estimated values

## STANDARD DRIVER INFORMATION (UL Class 2, dry and damp location)

Voltage	120	277
Input Watts (1300A/1300S&V lumens)	19/15	19/15
Input Current(A) (1300A/1300S&V lumens)	.16/.13	.07/.05
Min. Power Factor	0.90	0.90
Operating Temperature Range (F)	-13 to 122	-13 to 122

## LIGHT OUTPUT MULTIPLIER

LED Module Type	Light Output Multiplier
1300 Lumens standard & Vibrant	1*
1300 Lumens Artist	1*