

Project

Type



MADE IN USA

[Click Here](#)

Date

Product Code

Designer

MIDIMAX™ W-OBM BLUETOOTH

surface mounted addressable LED wallwasher



MidiMax W-OBM Bluetooth is a surface mounted wallwasher powered by one of a number of Xicato XIM Gen4 19mm LED modules, all of which are distinguished by extraordinary color consistency (within 1x2-step MacAdam ellipse). See tables below for wattages and efficacies.

- **Luminaire is equipped with a Xicato XIM Gen4 LED module**, an IOT device with embedded micro-processor and Bluetooth Low Energy chip, controllable via a smart device with iOS or Windows based apps. Features include
 - standard Bluetooth Wireless connectivity
 - addressable individually
 - on/off control
 - dimming to 0.1%. Combination with integral rotary dimmer available as modification.
 - data collection and storage for power consumption and LED performance
 - direct listening to switches and sensors
 - embedded Eddystone, iBeacon and/or AltBeacon beacons
- **Fixture is designed for mounting on a 4" octagonal outlet box** (by others).
- **The optical assembly for MidiMax LED W consists of an aluminum reflector and a 40° x 70° spread lens.** In addition, the assembly can accept one of a number of optional [Optical Accessories](#) including color filters and screens. Assembly is keyed relative to luminaire housing, to retain critical lens orientation.
- **A concealed swivel provides 385° horizontal rotation and vertical adjustment from 0° to 90°.** The swivel is permanently tensioned, allowing the luminaire to remain fixed at any aiming angle.
- **MidiMax luminaires have seamless aluminum housings** and cast aluminum tops for lightweight durability and heat dissipation.
- **For more information, [click here](#).**

USB Key

To address this fixture from a Windows-based PC, laptop or tablet, a USB key (dongle) is required. Contact factory for USB key.

MODIFICATIONS AVAILABLE

Contact factory with quantity for pricing; orders may require shop drawing approval.

For modified stem lengths up to 72", add the following to the end of the product code: + number of inches.

PRODUCT CODE

For complete product code, list basic unit and select one item from each following box.

Basic Unit	LX-XIM-OB-W
Finish	
white	- WH
black	- BL
Industrial Silver	- SI
custom color	- CC
Light Source Output	
1300 lumens / CRI 98 Artist	- 13A
1300 lumens / CRI 80+ standard	- 13S
1300 lumens / CRI 80+ Vibrant	3000K only-13V
Light Color	
2700 K	- 27K
3000 K	- 30K
3500 K	- 35K
4000 K	- 40K
Circuit Limitations	
Luminaire operates only on circuits with	
• no dimmer on the circuit – or –	
• a 0-10V dimmer on the circuit.	

► For luminaires modified for 50A or 60A track systems, contact factory.

OPTICAL ACCESSORIES Specify as separate line items.

All are 2 3/4" (70mm) dia. Filters are glass; screens are aluminum.

color filters	
Daylight Blue	DAY/3.75
Surprise Pink	PNK/3.75
amber	AMB/3.75
blue	BLU/3.75
green	GRN/3.75
red	RED/3.75
33% light reduction screen	SCR33/3.75
50% light reduction screen	SCR50/3.75



41-50 22ND STREET, LIC NY 11101 TEL 718.685.0700 FAX 718.786.8530 www.epl.com


©Copyright, Edison Price Lighting 2019

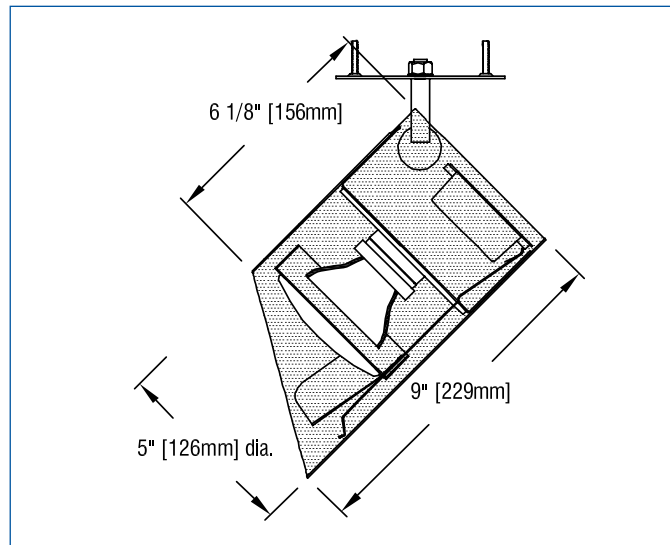
MidiMax is a pending trademark of Edison Price Lighting.

LED 0-214 10:19

APPLICATIONS

Luminaire is suitable for highlighting vertical surfaces in museums, galleries, showrooms, residences, offices and stores.

Fixture is suitable for 120-volt or 277-volt electrical service and is  listed for mounting on a standard 4" octagonal outlet box (by others).



– see below for photometric reports –



PHOTOMETRIC REPORT (tested per IESNA LM-79-2008)

Data prorated from Verification Services Report No. 1161145. Original report furnished upon request.

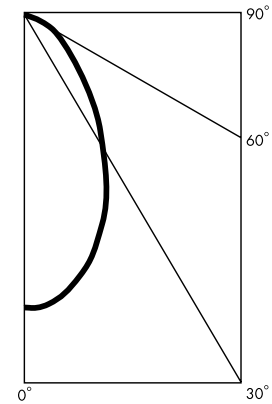
Luminaire surface-mounted LED wallwasher with a 60° internal reflector, a 40° x 70° spread lens and a specular kicker reflector.
 Lamp Xicato 19mm XIM LED Module, 1300 lumens, 3000K, 80 CRI

WALLWASH INFORMATION

Distance From Ceiling (Feet)	2'6" From Wall; 2'6" O.C. (1300 lumens)		3'0" From Wall; 3'0" O.C. (1300 lumens)		3'6" From Wall; 3'6" O.C. (1300 lumens)	
	Below Fixture	Between Fixtures	Below Fixture	Between Fixtures	Below Fixture	Between Fixtures
1	23	19	14	13	10	9
2	33	29	22	19	15	13
3	31	31	23	22	17	16
4	26	26	20	20	16	16
5	20	20	17	17	14	14
6	15	15	14	13	12	12
7	11	11	11	10	10	10
8	9	8	9	8	8	8
9	7	7	7	7	7	7
10	5	5	5	5	5	5
11			4	4	4	4
12			4	4	4	4
13					3	3
14					3	3
15						

This table lists initial illuminance values at the center of a row of at least 5 fixtures with no contribution from ceiling or floor reflectance. Fixtures were modeled with maximum candlepower at 10° to 15° above vertical.

CANDLEPOWER DISTRIBUTION



STANDARD DRIVER INFORMATION (UL Class 2, dry and damp location)

Voltage	120	277
Input Watts (1300A/1300S&V lumens)	19/15	19/15
Input Current(A) (1300A/1300S&V lumens)	.16/.13	.07/.05
Min. Power Factor	0.90	0.90
Operating Temperature Range (F)	-13 to 122	-13 to 122

LIGHT OUTPUT MULTIPLIER

LED Module Type	Light Output Multiplier
1300 Lumens standard & Vibrant	1*
1300 Lumens Artist	1*

LUMINAIRE LIGHT OUTPUT AND EFFICACY

LED Module Type	Luminaire Light Output	Luminaire Efficacy (lms/watt)	System Wattage
1300 Lumens standard & Vibrant	647*	43*	15
1300 Lumens Artist	647*	33*	19

*estimated values