

Project

Type



MADE IN USA

[Click Here](#)

Date

Product Code

Designer

MIDIMAX LED W-OBM

surface mounted LED wallwasher



MidiMax LED W-OBM is a surface mounted wallwasher powered by one of a number of Xicato LED modules, all of which are distinguished by extraordinary color consistency (within 1x2-step MacAdam ellipse). See tables below for wattages and efficacies.

- Luminaire is designed for mounting on a 4" octagonal outlet box (by others).
- Luminaire may be ordered with one of a number of drivers.
- Luminaire optical assembly consists of an aluminum reflector and a 40° x 70° spread lens. In addition, the assembly can accept one of a number of optional [Optical Accessories](#) including color filters and screens. Assembly is keyed relative to luminaire housing, to retain critical lens orientation.
- A concealed swivel provides 385° horizontal rotation and vertical adjustment from 0° to 90°. The swivel is permanently tensioned, allowing the luminaire to remain fixed at any aiming angle.
- MidiMax luminaires have seamless aluminum housings and cast aluminum tops for lightweight durability and heat dissipation. Standard finish is matte white; also available in black and Industrial Silver matte paint finishes.
- For more information, [click here](#).

MODIFICATIONS AVAILABLE

Contact factory with quantity for pricing; orders may require shop drawing approval.
For modified stem lengths up to 72", add the following to the end of the product code:
+ number of inches.

PRODUCT CODE

For complete product code, list basic unit and select one item from each following box.

Basic Unit LX-XTM-OB-W

Finish
 white finish: - WH
 black finish: - BL
 Industrial Silver finish: - SI
 custom color paint finish...include paint number or physical chip with order..... - CC

Driver
 dimmable to 10% (see Light Output box below) with electronic low voltage (ELV) dimmer on 120-volt service only..... - DME
 dimmable to 5% (see Light Output box below) with either incandescent or electronic low voltage (ELV) dimmer on 120-volt service only - DMP
 dimmable to 10% (see Light Output box below) with a 0-10V dimmer on 120-volt or 277-volt service - DMV

For a model with an integral dimmer; see [MidiMax W-OBM](#)

For a model that dims wirelessly, see [MidiMax W-OBM Bluetooth](#)

Light Source Output (Lumens)
 1000L/CRI 98 ArtistDMP (5%) or DMV (10%)....- L10A
 1400L/CRI 98 ArtistDMP (5%) or DMV (10%)....- L14A
 1500L/CRI 80+DMP (5%) or DMV (10%)....- L15S
 1500L/CRI 80+ Vibrant ...3000K only....DMP (5%) or DMV (10%)....- L15V
 2100L/CRI 80+DMP (5%) or DMV (10%)....- L21S
 2100L/CRI 80+ Vibrant....3000K only....DMP (5%) or DMV (10%)....- L21V
 2140L/CRI 98 ArtistDME (10%) or DMV (10%)..- L21A

Light Color
 2700 K..... - 27K
 3000 K..... - 30K
 3500 K..... - 35K
 4000 K..... - 40K

OPTIONS *Specify by adding to the product code.*

a rocker type **on/off switch** on fixture top, for use on 120-volt service only..... - SW
white switch for white fixture, black for Silver or black fixture, specify which for custom color fixture

OPTICAL ACCESSORIES

Specify as separate line items.

All are 3 3/4" (95mm) dia. Filters are glass; screens are aluminum.

color filters
 Daylight Blue DAY/3.75
 Surprise Pink PNK/3.75
 amber AMB/3.75
 blue BLU/3.75
 green GRN/3.75
 red RED/3.75
 33% light reduction screen SCR33/3.75
 50% light reduction screen SCR50/3.75




41-50 22ND STREET, LIC NY 11101 TEL 718.685.0700 FAX 718.786.8530 www.epl.com

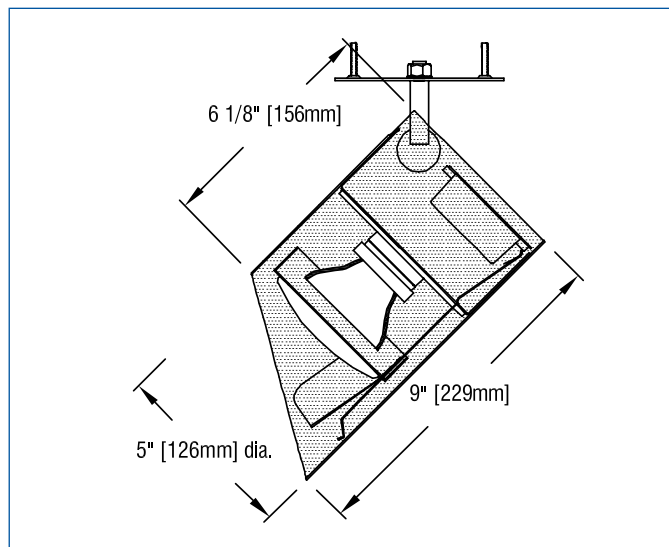
©Copyright, Edison Price Lighting 2019
MidiMax is a pending trademark of Edison Price Lighting.

LED 0-222 8:19

APPLICATIONS

Luminaire is suitable for highlighting vertical surfaces in museums, galleries, showrooms, residences, offices and stores.

Luminaire is  listed for Damp Location mounting on a standard 4" octagonal outlet box (by others).



– see below for photometric reports –



PHOTOMETRIC REPORT (tested per IESNA LM-79-2008)

Data prorated from Verification Services Report No. 1161145. Original report furnished upon request.

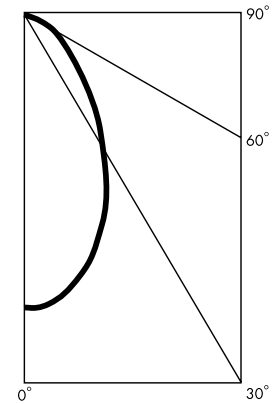
Luminairesurface-mounted LED wallwasher with a 60° internal reflector, a 40° x 70° spread lens and a specular hammer tone kicker reflector.
 LampXicato LED Module, 2100 lumens, 3000K

WALLWASH INFORMATION

Distance From Ceiling (Feet)	3' From Wall; 3' O.C. (2100 lumens)		3' 6" From Wall; 3' 6" O.C. (2100 lumens)		4' From Wall; 4' O.C. (3000 lumens)	
	Below Fixture	Between Fixtures	Below Fixture	Between Fixtures	Below Fixture	Between Fixtures
1	18	16	15	13	12	11
2	30	26	22	19	19	16
3	34	32	27	24	23	21
4	31	31	26	26	25	23
5	27	26	23	23	23	23
6	22	21	20	20	21	21
7	18	17	17	16	19	18
8	14	14	14	13	16	16
9	11	11	11	11	14	14
10	9	9	9	9	12	12
11	7	7	7	7	10	10
12	6	6	6	6	9	8
13					7	7
14					6	6
15					6	5

This table lists initial illuminance values at the center of a row of at least 5 fixtures with no contribution from ceiling or floor reflectance. Fixtures were modeled with maximum candlepower at 10° to 15° above vertical.

CANDLEPOWER DISTRIBUTION



STANDARD DRIVER INFORMATION (UL Class 2, dry and damp location)

Voltage	120	277
Input Watts (1000A/1400A/2100A/1500/2100 lumens)	14/21/26/18/23	14/21/26/18/23
Input Current(A) (1000A/1400A/2100A/1500/2100 lumens)	.12/18/22/15/19	.05/08/09/06/08
Output Current (mA)	500-1050	500-1050
Min. Power Factor	0.90	0.90
Operating Temperature Range (F)	-13 to 122	-13 to 122

LIGHT OUTPUT MULTIPLIER

1000 lumens Artist LED module	1400 lumens Artist LED module	2100 lumens Artist LED module	1500 lumens & Vibrant LED module	2100 lumens & Vibrant LED module
.47 (estimated)	.67 (estimated)	1	.75 (estimated)	1

LUMINAIRE LIGHT OUTPUT AND EFFICACY

LED Module Type	Luminaire Light Output	Luminaire Efficacy (lms/watt)	System Wattage
1000 Lumens Artist	491*	36*	14
1400 Lumens Artist	705*	34*	21
2100 Lumens Artist	1047*	40*	26
1500 Lumens standard & Vibrant	783*	44*	18
2100 Lumens standard & Vibrant	1047	47	23

*estimated values