

Project

Type



MADE IN USA

[Click Here](#)

Date

Product Code

Designer

# MIDIMAX MOOD MASTER™ W-OBM

surface mounted tunable LED wallwasher

MADE-TO-ORDER • COLOR TUNABLE • MADE-TO-ORDER • COLOR TUNABLE



MidiMax Mood Master W-OBM is a surface mounted wall-washer equipped with a Lumenetix® Araya® CTM1C 22 mm Color Tuning LED module that produces 90+CRI white light (within 2-step MacAdam ellipse). LED module light output is 1250 lumens drawing 25 input watts maximum.

## PRODUCT CODE

For complete product code, list basic unit and select one item from each following box.

Basic Unit ..... LX2-CTM1-OB-W

### Finish

white paint finish: ..... - WH  
black paint finish: ..... - BL  
Industrial Silver paint finish: ..... - SI  
custom color paint finish...include paint number or physical chip with order ..... - CC

### Control Options

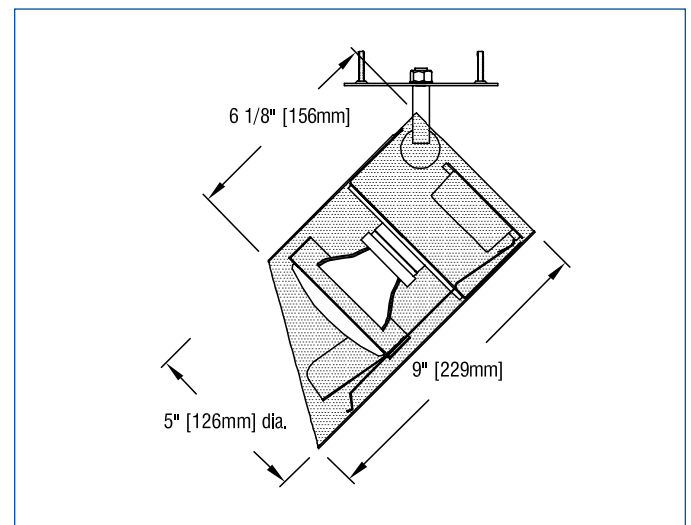
Controlled by two 0-10V dimmers, one for CCT tuning and one for dimming to 1% ..... - BMV  
Controlled by a DMX controller for CCT, hue and saturation tuning, and dimming to 1% ..... - DMX

- Luminaire includes embedded Bluetooth radio permitting control via iOS app "Araya tunable color 2.0". Tunable parameters include:
  - on / off
  - CCT range of 1650K to 8000K
  - dimming 100% to 1% at constant CCT
  - hue (defines color, i.e. red, orange, yellow, green...white)
  - saturation (defines the intensity of the color chosen)
- "Araya tunable color 2.0" app is capable of controlling as many as eight luminaires within a 30' radius, depending on site conditions.
- Luminaire is designed for mounting on a 4" octagonal outlet box (by others).
- Luminaire optical assembly consists of an aluminum reflector and a 40° x 70° spread lens. Assembly is keyed relative to luminaire housing, to retain critical lens orientation.
- A concealed swivel provides 385° horizontal rotation and vertical adjustment from 0° to 90°. The swivel is permanently tensioned, allowing the luminaire to remain fixed at any aiming angle.
- Luminaires have seamless aluminum housings and cast aluminum tops for lightweight durability and heat dissipation. Standard finish is matte white; also available in black and Industrial Silver matte paint finishes.
- For more information, [click here](#).

## APPLICATIONS

Luminaire is suitable for highlighting vertical surfaces in museums, galleries, showrooms, residences, offices and stores.

Luminaire is suitable for 120-volt or 277-volt electrical service and is listed for Damp Location mounting on a standard 4" octagonal outlet box (by others).



### MODIFICATIONS AVAILABLE

Contact factory with quantity for pricing; orders may require shop drawing approval.  
For modified stem lengths up to 72", add the following to the end of the product code:  
+ number of inches.



## PHOTOMETRIC REPORT (tested per IESNA LM-79-2008)

Data prorated from Verification Services Report No. 182715. Original report furnished upon request.

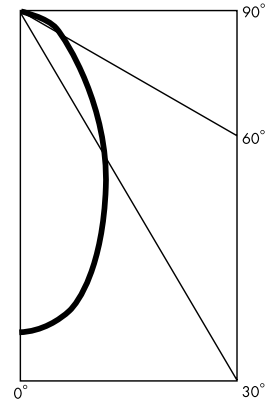
Luminaire ..... surface-mounted LED wallwasher with a 60° internal reflector, a 40° x 70° spread lens and a specular hammer tone kicker reflector.  
 Lamp ..... Lumenetix araya LED module CTM 119, 1650-8000K, 1250 lumens

### WALLWASH INFORMATION

Distance From Ceiling (Feet)	2' 6" From Wall; 2' 6" O.C.		3' From Wall; 3' O.C.		3' 6" From Wall; 3' 6" O.C.	
	Below Fixture	Between Fixtures	Below Fixture	Between Fixtures	Below Fixture	Between Fixtures
1	28	25	18	16	13	11
2	40	36	25	23	17	16
3	40	40	28	28	21	19
4	33	33	26	26	20	20
5	26	25	22	22	18	18
6	19	19	18	17	16	15
7	14	14	14	14	13	13
8	11	10	11	11	10	10
9	8	8	8	8	8	8
10	6	6	7	7	7	7

This table lists initial illuminance values at the center of a row of at least 5 fixtures with no contribution from ceiling or floor reflectance. Fixtures were modeled with maximum candlepower at 10° to 15° above vertical.

### CANDLEPOWER DISTRIBUTION



### DRIVER INFORMATION

Voltage	120	277
Input Watts	28.5	28.5
Input Current (A)	.24	.10
Min. Power Factor	<0.9	<0.9
Operating Temperature Range (F)	-4 to 122	-4 to 122

### LUMINAIRE LIGHT OUTPUT AND EFFICACY (AT 2800K)

LED Module Type	Luminaire Light Output	Luminaire Efficacy (lms/watt)	System Wattage
1650K-8000K Color Tuning Range -1250 lumens	821	29	28.5