

Project

Type



MADE IN USA

[Click Here](#)

Date

Product Code

Designer

MIDIMAX MOOD MASTER™ W-OBM

surface mounted tunable LED wallwasher

MADE-TO-ORDER • COLOR TUNABLE • MADE-TO-ORDER • COLOR TUNABLE



MidiMax Mood Master W-OBM is a surface mounted wall-washer equipped with a Lumenetix® Araya® CTM1C 22 mm Color Tuning LED module that produces 90+CRI white light (within 2-step MacAdam ellipse). LED module light output is 1250 lumens drawing 25 input watts maximum.

PRODUCT CODE

For complete product code, list basic unit and select one item from each following box.

Basic Unit LX-CTM1-OB-W

Finish

white paint finish: - WH
black paint finish: - BL
Industrial Silver paint finish: - SI
custom color paint finish...include paint number or physical chip with order - CC

Control Options

Controlled by two 0-10V dimmers, one for CCT tuning and one for dimming to 1% - BMV
Controlled by a DMX controller for CCT, hue and saturation tuning, and dimming to 1% - DMX

- Luminaire includes embedded Bluetooth radio permitting control via iOS app "Araya tunable color 2.0". Tunable parameters include:
 - on / off
 - CCT range of 1650K to 8000K
 - dimming 100% to 1% at constant CCT
 - hue (defines color, i.e. red, orange, yellow, green...white)
 - saturation (defines the intensity of the color chosen)
- "Araya tunable color 2.0" app is capable of controlling as many as eight luminaires within a 30' radius, depending on site conditions.
- Luminaire is designed for mounting on a 4" octagonal outlet box (by others).
- Luminaire optical assembly consists of an aluminum reflector and a 40° x 70° spread lens. Assembly is keyed relative to luminaire housing, to retain critical lens orientation.
- A concealed swivel provides 385° horizontal rotation and vertical adjustment from 0° to 90°. The swivel is permanently tensioned, allowing the luminaire to remain fixed at any aiming angle.
- Luminaires have seamless aluminum housings and cast aluminum tops for lightweight durability and heat dissipation. Standard finish is matte white; also available in black and Industrial Silver matte paint finishes.
- For more information, [click here](#).

APPLICATIONS

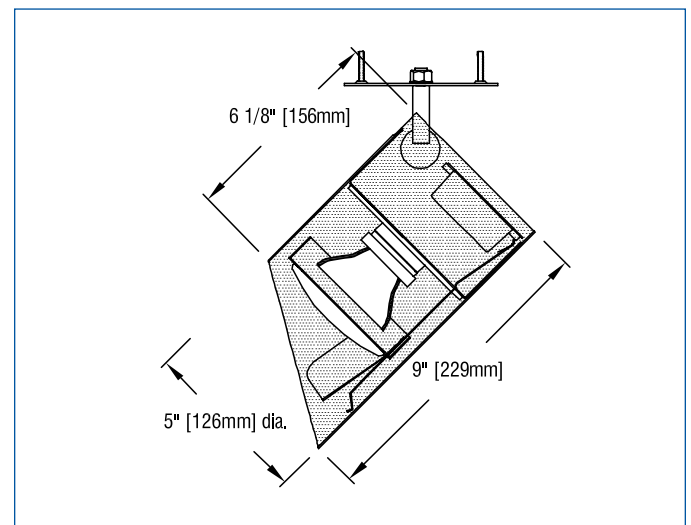
Luminaire is suitable for highlighting vertical surfaces in museums, galleries, showrooms, residences, offices and stores.

Luminaire is suitable for 120-volt or 277-volt electrical service and is listed for Damp Location mounting on a standard 4" octagonal outlet box (by others).

MODIFICATIONS AVAILABLE

Contact factory with quantity for pricing; orders may require shop drawing approval.

For modified stem lengths up to 72", add the following to the end of the product code:
+ number of inches.



41-50 22ND STREET, LIC NY 11101 TEL 718.685.0700 FAX 718.786.8530 www.epl.com

©Copyright, Edison Price Lighting 2019

LED Q-228 8:19

PHOTOMETRIC REPORT (tested per IESNA LM-79-2008)

Data prorated from Verification Services Report No. 182715. Original report furnished upon request.

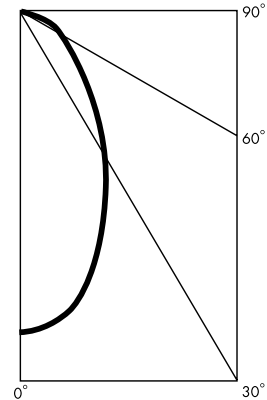
Luminaire surface-mounted LED wallwasher with a 60° internal reflector, a 40° x 70° spread lens and a specular hammer tone kicker reflector.
 Lamp Lumenix araya LED module CTM 119, 1650-8000K, 1250 lumens

WALLWASH INFORMATION

Distance From Ceiling (Feet)	2' 6" From Wall; 2' 6" O.C.		3' From Wall; 3' O.C.		3' 6" From Wall; 3' 6" O.C.	
	Below Fixture	Between Fixtures	Below Fixture	Between Fixtures	Below Fixture	Between Fixtures
1	28	25	18	16	13	11
2	40	36	25	23	17	16
3	40	40	28	28	21	19
4	33	33	26	26	20	20
5	26	25	22	22	18	18
6	19	19	18	17	16	15
7	14	14	14	14	13	13
8	11	10	11	11	10	10
9	8	8	8	8	8	8
10	6	6	7	7	7	7

This table lists initial illuminance values at the center of a row of at least 5 fixtures with no contribution from ceiling or floor reflectance. Fixtures were modeled with maximum candlepower at 10° to 15° above vertical.

CANDLEPOWER DISTRIBUTION



DRIVER INFORMATION

Voltage	120	277
Input Watts	28.5	28.5
Input Current (A)	.24	.10
Min. Power Factor	<0.9	<0.9
Operating Temperature Range (F)	-4 to 122	-4 to 122

LUMINAIRE LIGHT OUTPUT AND EFFICACY (AT 2800K)

LED Module Type	Luminaire Light Output	Luminaire Efficacy (lms/watt)	System Wattage
1650K-8000K Color Tuning Range -1250 lumens	821	29	28.5