

Project

Type



MADE IN USA

[Click Here](#)

Date

Product Code

Designer

MIDIMAX™ LED NSP-OBM

surface mounted LED ring-baffled spotlight



MidiMax LED NSP-OBM is a 10° or 24° spotlight designed for mounting on a 4" octagonal outlet box (by others). Luminaire is powered by one of a number of Xicato LED modules – including 98 CRI Artist Series modules – all of which are distinguished by extraordinary color consistency (within 1x2-step MacAdam ellipse). See tables on the reverse for wattages and efficacies.

- Luminaire may be ordered with one of a number of drivers, all of which operate on either 120-volt or 277-volt service.
- Optical assembly consists of an internal reflector and a matte black concentric ring baffle which increases beam control, eliminates spill light and minimizes glare. Ring baffle is equipped with clips to accept one or two of a number of [Optical Accessories](#) including spread lenses, color filters and light reduction screens. A complimentary Beam Smoother is included.
- Beam spread may be changed by removing the ring baffle, replacing one 'twist an lock' [reflector](#) with the other, and re-inserting the ring baffle. Luminaire is ordered with a single reflector; the other reflector may be ordered as an accessory.
- A concealed swivel provides 385° horizontal rotation and vertical adjustment from 0° to 90°. The swivel is permanently tensioned, allowing the luminaire to remain fixed at any angle.
- MidiMax luminaires have seamless aluminum housings and cast aluminum tops for lightweight durability and heat dissipation.
- For more information, [click here](#).

MODIFICATIONS AVAILABLE

Contact factory with quantity for pricing; orders may require shop drawing approval.

For modified stem lengths up to 72", add the following to the end of the product code:
+ number of inches.

PRODUCT CODE

For complete product code, list basic unit and select one item from each following box.

Basic Unit LX2-XTS-OG-OB

Finish
 white: - WH
 black: - BL
 Industrial Silver: - SI
 custom color paint finish...include paint number or physical chip with order..... - CC

Light Source Output (Lumens)
 700L /CRI 98 Artist DMP (5%) - L07A
 1000L /CRI 98 Artist DMP (5%) - L10A
 1000L /CRI 80+ DMP (5%) - L10S
 1000L /CRI 80+ Vibrant..... 3000K only DMP (5%) - L10V
 1300L /CRI 98 Artist DMP (5%) - L13A
 1300L /CRI 80+ DMP (5%) - L13S
 1300L /CRI 80+ Vibrant..... 3000K only DMP (5%) - L13V

Light Color
 2700 K - 27K
 3000 K - 30K
 3500 K - 35K
 4000 K - 40K

Driver
 dimmable to 5% (see Light Source Output box above) by an incandescent or electronic low voltage (ELV) dimmer; 120-volt service only - DMP
 dimmable to 10% (see Light Source Output box above) by an ELV dimmer; 120-volt service only - DME
 dimmable to 10% by a 0-10V dimmer on either 120 or 277 volt service - DMV
 Dimmable by integral dimmer, see [IDM MidiMax LED NSP-OBM](#)
 Dimmable wirelessly, see [MidiMax NSP-OBM Bluetooth](#)

Beam Spread Reflector (specify one to ship with fixture)
 10° narrow spot..... - 10D
 24° spot..... - 24D

EXTRA REFLECTORS *Specify as separate line items.*

10° narrow spot reflector XTS-REF10-72
 24° spot reflector XTS-REF24-70

OPTICAL ACCESSORIES ▼ *See next page*



41-50 22ND STREET, LIC NY 11101 TEL 718.685.0700 FAX 718.786.8530 www.epl.com

©Copyright, Edison Price Lighting 2020

MiniMax is a pending trademark of Edison Price Lighting.

LED 0-229

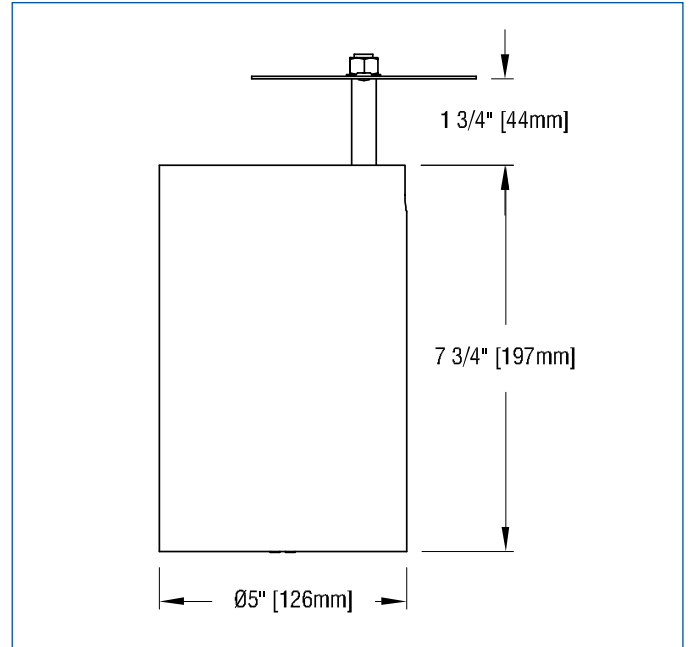
1:20

OPTICAL ACCESSORIES

Specify as separate line items.

All are 2 3/4" (70mm) dia. Lenses and filters are glass; screens are aluminum.

diffuse glass	DGS/2.75
prismatic lens (Solite)	PLS/2.75
55° spread lens	LENS/2.75
40° x 70° spread lens	LENS/2.75-4070
beam smoother	CLR/2.75
color filters	
Daylight Blue	DAY/2.75
Surprise Pink	PNK/2.75
amber	AMB/2.75
blue	BLU/2.75
green	GRN/2.75
red	RED/2.75
33% light reduction screen	SCR33/2.75
50% light reduction screen	SCR50/2.75



APPLICATIONS

Luminaire is listed for Damp Location mounting on a standard 4" octagonal outlet box (by others).

– see below for photometric reports –



PHOTOMETRIC REPORT with 10° reflector (tested per IESNA LM-79-2008)

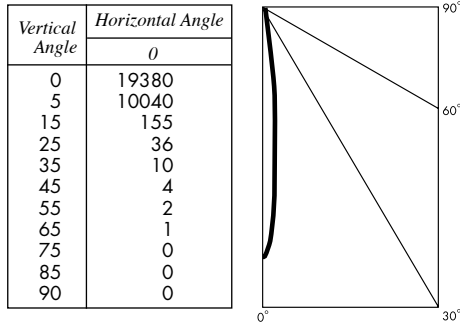
UL Verification Services Report No. 1222997. Original test report furnished upon request.

Luminaire surface-mounted LED accent light with a 10° reflector and black ring-baffle (NO LENS)

Lamp Xicato 9mm XTM LED Module, 2000 lumens, 3000K

Lamp Life rated 50.000 hours based on L70/B50 criteria. LM80 report by LED manufacturer furnished upon request

CANDLEPOWER DISTRIBUTION



LUMINAIRE LIGHT OUTPUT AND EFFICACY

LED Module Type	Luminaire Light Output	Luminaire CBCP	Luminaire Efficacy (lms/watt)	System Wattage
700 Lumens Artist	277*	6986*	20*	14
1000 Lumens Artist	365*	9192*	19*	19
1300 Lumens Artist	505*	12,723*	17*	30
1000 Lumens standard & Vibrant	382*	9631*	27*	14
1300 Lumens standard & Vibrant	510*	12,849*	27*	19

*estimated values

PHOTOMETRIC REPORT with 24° reflector (tested per IESNA LM-79-2008)

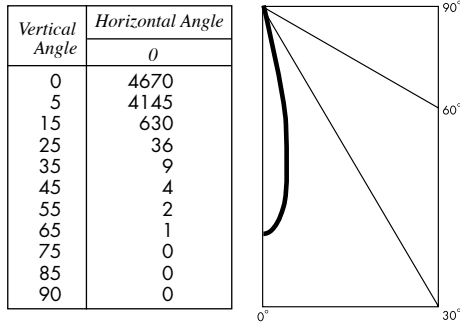
UL Verification Services Report No. 122998. Original test report furnished upon request.

Luminaire surface-mounted LED accent light with a 24° reflector and black ring-baffle (NO LENS)

Lamp Xicato 9mm XTM LED Module, 2000 lumens, 3000K

Lamp Life rated 50.000 hours based on L70/B50 criteria. LM80 report by LED manufacturer furnished upon request

CANDLEPOWER DISTRIBUTION



LUMINAIRE LIGHT OUTPUT AND EFFICACY

LED Module Type	Luminaire Light Output	Luminaire CBCP	Luminaire Efficacy (lms/watt)	System Wattage
700 Lumens Artist	207*	1684*	15*	14
1000 Lumens Artist	272*	2215*	14*	19
1300 Lumens Artist	376*	3066*	12*	30
1000 Lumens standard & Vibrant	285*	2321*	20*	14
1300 Lumens standard & Vibrant	380*	3096*	20*	19

*estimated values

STANDARD DRIVER INFORMATION (UL Class 2, dry and damp location)

Voltage	120	277
Input Watts (L07A/L10A/L13A/L10S&V/L13S&V)	14/19/30/14/19	14/19/30/14/19
Input Current(A) (L07A/L10A/L13A/L10S&V/L13S&V)	.12/.16/.25/.12/.16	.05/.07/.11/.05/.07
Output Current (mA)	500-1050	500-1050
Min. Power Factor	.99	.99
Operating Temperature Range (F)	-13 to 122	-13 to 122

LIGHT OUTPUT MULTIPLIER

LED Module Type	Light Output Multiplier
700 Lumens Artist	.36*
1000 Lumens Artist	.47*
1300 Lumens Artist	.65*
1000 Lumens standard & Vibrant	.50*
1300 Lumens standard & Vibrant	.66*
2000 Lumens test only	1