

Project

Type



Date

Product Code

Designer

MAXIMA™ CZS O-OBM

surface mounted LED cross-baffled accent light



Maxima CZS O-OBM is a surface mounted cross-baffled accent light capable of 16° to 40° beam spreads. Fixture is powered by Citizen chip-on-board LED's providing either a CRI of 97 within 2-step MacAdam ellipses or a CRI of 80 within 3-step MacAdam ellipses. See tables below for wattages and efficacies.

- Luminaire is designed for mounting on a 4" octagonal outlet box (by others).
- Luminaire is available with 16°, 28° or 40° reflectors and is equipped with a matte black cross-baffle assembly to control surface brightness and reduce spill light.
- Beam spread may be changed by removing the cross-baffle, replacing one 'twist and lock' reflector with another, and re-inserting the baffle. Luminaire is ordered with a single reflector; one or more of the other two may be ordered as accessories.
- Luminaire accepts one or two of a number of [Optical Accessories](#) including spread lenses, a beam smoother, color filters and light reductions screens. A complimentary Beam Smoother is included.
- A concealed swivel provides 385° horizontal rotation and vertical adjustment from 0° to 90°. The swivel is permanently tensioned, allowing the luminaire to remain fixed at any aiming angle.
- Maxima luminaires have seamless aluminum housings and cast aluminum tops for lightweight durability and heat dissipation.
- For more information, [click here](#).

MODIFICATIONS AVAILABLE

Contact factory with quantity for pricing; orders may require shop drawing approval.
For modified stem lengths up to 72", add the following to the end of the product code:
+ number of inches.

PRODUCT CODE

For complete product code, list basic unit and select one item from each following box.

Basic UnitMX-CZS2-OB-OX

Beam Spread Reflector (specify one to ship with fixture)

16° spot 16D
 28° narrow flood..... 28D
 40° flood..... 40D

Finish

white paint finish - WH
 black paint finish - BL
 Industrial Silver paint finish - SI
 custom color paint finish..... include physical chip with order - CC

Driver

dimmable to 5% by either an incandescent or electronic low voltage (ELV) dimmer on 120-volt service only - DMF
 dimmable to 10% or 1% with a 0-10V dimmer on 120-volt or 277-volt service - DMV

Dimmable by integral dimmer, see [IDM Maxima CZS O-OBM](#)

Light Source Output (Lumens)

1500 lumens / 97 CRI 2700K & 3000K only - L15A
 2100 lumens / 97 CRI 2700K & 3000K only - L21A
 2800 lumens / 97 CRI 2700K & 3000K only - L28A
 3000 lumens / 97 CRI 2700K & 3000K only - L30A
 1900 lumens / 80 CRI - L19S
 2700 lumens / 80 CRI - L27S
 3600 lumens / 80 CRI - L36S
 4000 lumens / 80 CRI - L40S

For higher light source outputs; see [Maxima Hi O-OBM](#)

Light Color

2700 K - 27K
 3000 K - 30K
 3500 K not available with all Light Outputs (see above) - 35K
 4000 K not available with all Light Outputs (see above) - 40K

OPTIONS Specify by adding to the product code.

a rocker type **on/off switch** on fixture top, for use on 120-volt track only - SW
 white switch for white fixture, black for Silver or black fixture, specify which for custom color fixture

► For luminaires modified for 50A or 60A track systems, contact factory.

EXTRA REFLECTORS Specify as separate line items.

16° spot reflector MX-CZS-REF16
 28° narrow flood reflector MX-CZS-REF28
 40° flood reflector MX-CZS-REF40

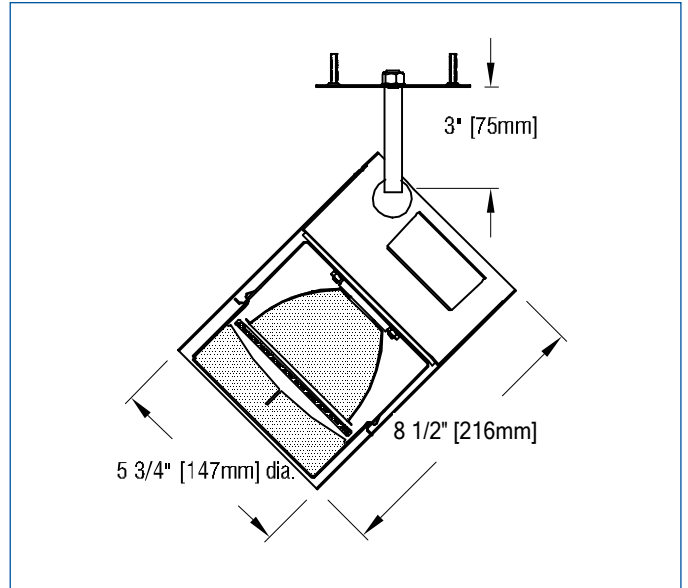
OPTICAL ACCESSORIES ▼ See next page



OPTICAL ACCESSORIES

Specify as separate line items; only for use with one of the above.
All are 4 3/4" (121mm) diameter. Lenses and filters are glass; screens are aluminum.

30° spread lens	LENS/4.75-30
20° x 55° spread lens	LENS/4.75
70° spread lens	LENS/4.75-70
prismatic lens (Solite)	PLS/4.75
40° x 70° spread lens	LENS/4.75-4070
beam smoother included with fixture	CLR/4.75
color filters	
Daylight Blue	DAY/4.75
Surprise Pink	PNK/4.75
amber	AMB/4.75
blue	BLU/4.75
green	GRN/4.75
red	RED/4.75
33% light reduction screen	SCR33/4.75
50% light reduction screen	SCR50/4.75



APPLICATIONS

Luminaire is suitable for highlighting vertical or horizontal surfaces, as well as objects in museums, galleries, showrooms, residences, offices and stores.

Luminaire is listed for Damp Location mounting on a standard 4" octagonal outlet box (by others).

– see below for photometric reports –



PHOTOMETRIC REPORT with 16° reflector (tested per IESNA LM-79-2008)

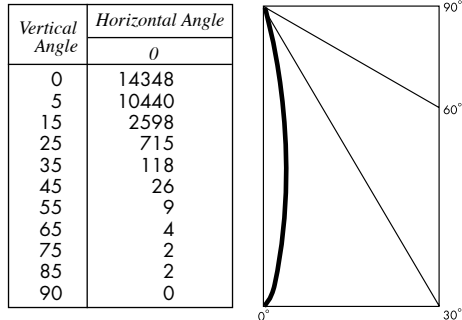
Prorated from Verification Services Report No. 12186406.04. Original test report furnished upon request.

Luminaire surface-mounted LED accent light with a 16° reflector and black cross-baffle (NO LENS)

Lamp Citizen LED Module, 4000 lumens, 3000K

Lamp Life rated 50.000 hours based on L70/B50 criteria. LM80 report by LED manufacturer furnished upon request

CANDLEPOWER DISTRIBUTION



LUMINAIRE LIGHT OUTPUT AND EFFICACY

LED Module Type	Luminaire Light Output	Luminaire CBCP	Luminaire Efficacy (lms/watt)	System Wattage
1900 Lumens 80 CRI (L19S)	1005*	7031*	84*	12
2700 Lumens 80 CRI (L27S)	1395*	9757*	73*	19
3600 Lumens 80 CRI (L36S)	1866*	13057*	69*	27
4000 Lumens 80 CRI (L40S)	2051*	14348*	66*	31
1500 Lumens 97 CRI (L15A)	759*	5309*	63*	12
2100 Lumens 97 CRI (L21A)	1067*	7461*	56*	19
2800 Lumens 97 CRI (L28A)	1436*	10044*	53*	27
3000 Lumens 97 CRI (L30A)	1579*	11048*	51*	31

*estimated values

PHOTOMETRIC REPORT with 28° reflector (tested per IESNA LM-79-2008)

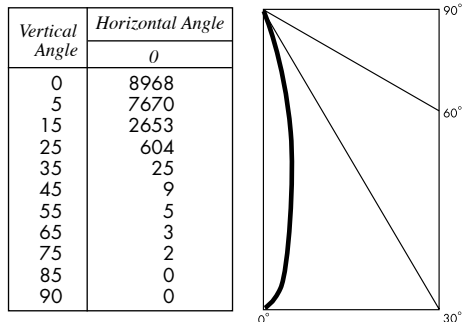
Prorated from Verification Services Report No. 12186406.06. Original test report furnished upon request.

Luminaire surface-mounted LED accent light with a 28° reflector and black cross-baffle (NO LENS)

Lamp Citizen LED Module, 4000 lumens, 3000K

Lamp Life rated 50.000 hours based on L70/B50 criteria. LM80 report by LED manufacturer furnished upon request

CANDLEPOWER DISTRIBUTION



LUMINAIRE LIGHT OUTPUT AND EFFICACY

LED Module Type	Luminaire Light Output	Luminaire CBCP	Luminaire Efficacy (lms/watt)	System Wattage
1900 Lumens 80 CRI (L19S)	867*	4394*	72*	12
2700 Lumens 80 CRI (L27S)	1203*	6098*	63*	19
3600 Lumens 80 CRI (L36S)	1610*	8161*	60*	27
4000 Lumens 80 CRI (L40S)	1769*	8968*	57*	31
1500 Lumens 97 CRI (L15A)	655*	3318*	55*	12
2100 Lumens 97 CRI (L21A)	920*	4663*	48*	19
2800 Lumens 97 CRI (L28A)	1238*	6278*	46*	27
3000 Lumens 97 CRI (L30A)	1362*	6905*	44*	31

*estimated values

PHOTOMETRIC REPORT with 40° reflector (tested per IESNA LM-79-2008)

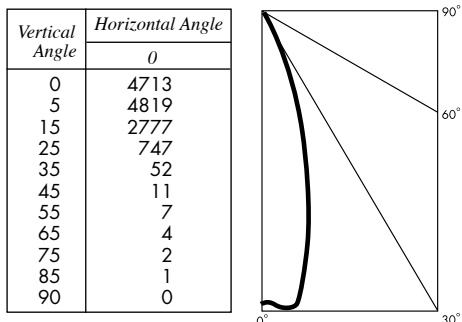
Prorated from Verification Services Report No. 12186406.08. Original test report furnished upon request.

Luminaire surface-mounted LED accent light with a 40° reflector and black cross-baffle (NO LENS)

Lamp Citizen LED Module, 4000 lumens, 3000K

Lamp Life rated 50.000 hours based on L70/B50 criteria. LM80 report by LED manufacturer furnished upon request

CANDLEPOWER DISTRIBUTION



LUMINAIRE LIGHT OUTPUT AND EFFICACY

LED Module Type	Luminaire Light Output	Luminaire CBCP	Luminaire Efficacy (lms/watt)	System Wattage
1900 Lumens 80 CRI (L19S)	805*	2361*	67*	12
2700 Lumens 80 CRI (L27S)	1117*	3277*	59*	19
3600 Lumens 80 CRI (L36S)	1494*	4385*	55*	27
4000 Lumens 80 CRI (L40S)	1642*	4819*	53*	31
1500 Lumens 97 CRI (L15A)	608*	1783*	51*	12
2100 Lumens 97 CRI (L21A)	854*	2506*	45*	19
2800 Lumens 97 CRI (L28A)	1149*	3373*	43*	27
3000 Lumens 97 CRI (L30A)	1264*	3711*	41*	31

*estimated values

- photometric con't -



STANDARD DRIVER INFORMATION (UL Class 2, dry and damp location)

Voltage	120	277
Input Watts (L19S/L27S/L36S/L40S/L15A/L21A/L28A/L30A)	12/19/27/31/12/19/27/31	12/19/27/31/12/19/27/31
Input Current(A) (L19S/L27S/L36S/L40S/L15A/L21A/L28A/L30A)	.10/.16/.23/.26/.10/.16/.23/.26	.04/.07/.10/.11/.04/.07/.10/.11
Output Current (mA)	350-800	350-800
Min. Power Factor 0.99	0.90	0.90
Operating Temperature Range (F)	-4 to 122	-4 to 122

LIGHT OUTPUT MULTIPLIER

LED Module Type	Light Output Multiplier
1900 Lumens 80 CRI (L19S)	0.49*
2700 Lumens 80 CRI (L27S)	0.68*
3600 Lumens 80 CRI (L36S)	0.91*
4000 Lumens 80 CRI (L40S)	1
1500 Lumens 97 CRI (L15A)	0.37*
2100 Lumens 97 CRI (L21A)	0.52*
2800 Lumens 97 CRI (L28A)	0.7*
3000 Lumens 97 CRI (L30A)	0.77*