

MAXIMA® CZS O LH-OBM

surface mounted LED open-aperture accent light



Maxima CZS O LH-OBM is a surface mounted open-aperture accent light capable of 9° to 40° beam spreads. Fixture is powered by Citizen chip-on-board LED's providing either a CRI of 97 within 2-step MacAdam ellipses or a CRI of 80 within 3-step MacAdam ellipses. See tables on reverse for wattages and efficacies.

- Luminaire is designed for mounting on a 4" octagonal outlet box (by others).
- Beam spread is changed by removing the spring-mounted lens holder assembly, replacing one 'twist and lock' reflector with another, and re-inserting the lens holder assembly. Luminaire is ordered with a single reflector; one or both of the other reflectors may be ordered as accessories.
- A concealed swivel provides 385° horizontal rotation and vertical adjustment from 0° to 90°. The swivel is permanently tensioned, allowing the luminaire to remain fixed at any aiming angle.
- Maxima CZS O LH-OBM fixtures accept one or two of a number of [Optical Accessories](#), including spread lenses, a beam smoother, color filters and light reduction screens. A complimentary Beam Smoother is included.
- Maxima luminaires have seamless aluminum housings and cast aluminum tops for lightweight durability and heat dissipation.
- For more information, [click here](#).

PRODUCT CODE

For complete product code, list basic unit and select one item from each following box.

Basic Unit	MX-CZS2-OB-OH
Beam Spread Reflector (specify one to ship with fixture)	
16° spot	16D
28° narrow flood	28D
40° flood	40D
Finish	
white paint finish	- WH
black paint finish	- BL
Industrial Silver paint finish	- SI
custom color paint finish	- CC
Driver	
dimmable to 5% by either an incandescent or electronic low voltage (ELV) dimmer on 120-volt service only	- DMP
dimmable to 10% or 1% with a 0-10V dimmer on 120-volt or 277-volt service	- DMV
Light Source Output (Lumens)	
1500 lumens / 97 CRI	2700K & 3000K only - L15A
2100 lumens / 97 CRI	2700K & 3000K only - L21A
2800 lumens / 97 CRI	2700K & 3000K only - L28A
3000 lumens / 97 CRI	2700K & 3000K only - L30A
1900 lumens / 80 CRI	- L19S
2700 lumens / 80 CRI	- L27S
3600 lumens / 80 CRI	- L36S
4000 lumens / 80 CRI	- L40S
Light Color	
2700 K	- 27K
3000 K	- 30K
3500 K	- 35K
4000 K	- 40K

OPTIONS *Specify by adding to the product code.*

a rocker type on/off switch on fixture top, for use on 120-volt track only	- SW
<i>white switch for white fixture, black for Silver or black fixture, specify which for custom color fixture</i>	

► For luminaires modified for 50A or 60A track systems, contact factory.

EXTRA REFLECTORS *Specify as separate line items.*

16° spot reflector	MX-CZS-REF16
28° narrow flood reflector	MX-CZS-REF28
40° flood reflector	MX-CZS-REF40

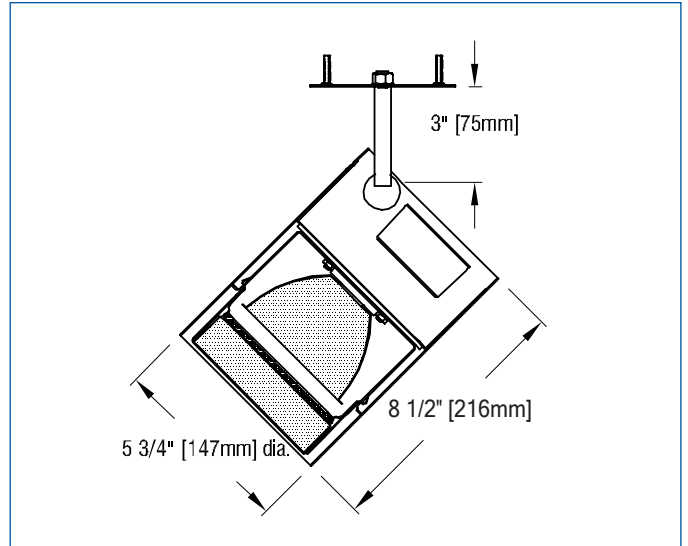
OPTICAL ACCESSORIES ▼ *See next page*



OPTICAL ACCESSORIES

Specify as separate line items; only for use with one of the above.
All are 4 3/4" (121mm) diameter. Lenses and filters are glass; screens are aluminum.

30° spread lens	LENS/4.75-30
20° x 55° spread lens	LENS/4.75
70° spread lens	LENS/4.75-70
prismatic lens (Solite)	PLS/4.75
40° x 70° spread lens	LENS/4.75-4070
beam smoother included with fixture	CLR/4.75
color filters	
Daylight Blue	DAY/4.75
Surprise Pink	PNK/4.75
amber	AMB/4.75
blue	BLU/4.75
green	GRN/4.75
red	RED/4.75
33% light reduction screen	SCR33/4.75
50% light reduction screen	SCR50/4.75



APPLICATIONS

Luminaire is suitable for highlighting vertical or horizontal surfaces, as well as objects in museums, galleries, showrooms, residences, offices and stores.

Luminaire is listed for Damp Location mounting on a standard 4" octagonal outlet box (by others).

– see below for photometric reports –

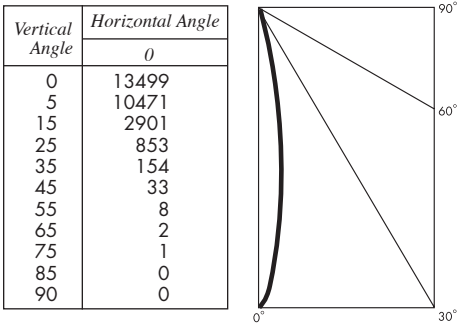


PHOTOMETRIC REPORT with 16° reflector (tested per IESNA LM-79-2008)

Prorated from Verification Services Report No. 12186406.03. Original test report furnished upon request.

Luminaire surface-mounted LED accent light with a 16° reflector and black lens holder (NO LENS)
 Lamp Citizen LED Module, 4000 lumens, 3000K
 Lamp Life rated 50.000 hours based on L70/B50 criteria. LM80 report by LED manufacturer furnished upon request

CANDLEPOWER DISTRIBUTION (Candela)



LUMINAIRE LIGHT OUTPUT AND EFFICACY

LED Module Type	Luminaire Light Output	Luminaire CBCP	Luminaire Efficacy (lm/watt)	System Wattage
1900 Lumens 80 CRI (L19S)	1099*	6615*	92*	12
2700 Lumens 80 CRI (L27S)	1525*	9179*	80*	19
3600 Lumens 80 CRI (L36S)	2041*	12,284*	76*	27
4000 Lumens 80 CRI (L40S)	2243*	13,499*	72*	31
1500 Lumens 97 CRI (L15A)	830*	4995*	69*	12
2100 Lumens 97 CRI (L21A)	1166*	7019*	61*	19
2800 Lumens 97 CRI (L28A)	1570*	9449*	58*	27
3000 Lumens 97 CRI (L30A)	1727*	10,394*	56*	31

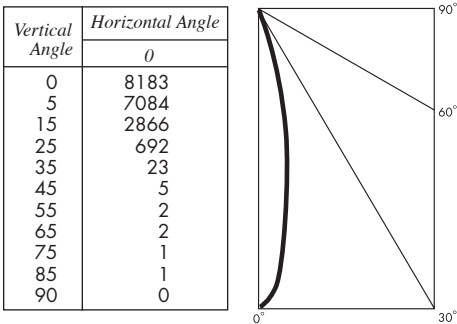
*estimated values

PHOTOMETRIC REPORT with 28° reflector (tested per IESNA LM-79-2008)

Prorated from Verification Services Report No. 12186406.05. Original test report furnished upon request.

Luminaire surface-mounted LED accent light with a 28° reflector and black lens holder (NO LENS)
 Lamp Citizen LED Module, 4000 lumens, 3000K
 Lamp Life rated 50.000 hours based on L70/B50 criteria. LM80 report by LED manufacturer furnished upon request

CANDLEPOWER DISTRIBUTION (Candela)



LUMINAIRE LIGHT OUTPUT AND EFFICACY

LED Module Type	Luminaire Light Output	Luminaire CBCP	Luminaire Efficacy (lm/watt)	System Wattage
1900 Lumens 80 CRI (L19S)	882*	3990*	74*	12
2700 Lumens 80 CRI (L27S)	1224*	5537*	64*	19
3600 Lumens 80 CRI (L36S)	1638*	7410*	61*	27
4000 Lumens 80 CRI (L40S)	1800*	8143*	58*	31
1500 Lumens 97 CRI (L15A)	666*	3013*	56*	12
2100 Lumens 97 CRI (L21A)	936*	4234*	49*	19
2800 Lumens 97 CRI (L28A)	1260*	5700*	47*	27
3000 Lumens 97 CRI (L30A)	1386*	6270*	45*	31

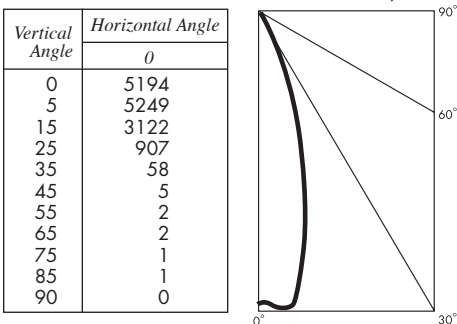
*estimated values

PHOTOMETRIC REPORT with 40° reflector (tested per IESNA LM-79-2008)

Prorated from Verification Services Report No. 12186406.07. Original test report furnished upon request.

Luminaire surface-mounted LED accent light with a 40° reflector and black lens holder (NO LENS)
 Lamp Citizen LED Module, 4000 lumens, 3000K
 Lamp Life rated 50.000 hours based on L70/B50 criteria. LM80 report by LED manufacturer furnished upon request

CANDLEPOWER DISTRIBUTION (Candela)



LUMINAIRE LIGHT OUTPUT AND EFFICACY

LED Module Type	Luminaire Light Output	Luminaire CBCP	Luminaire Efficacy (lm/watt)	System Wattage
1900 Lumens 80 CRI (L19S)	904*	2578*	75*	12
2700 Lumens 80 CRI (L27S)	1254*	3577*	66*	19
3600 Lumens 80 CRI (L36S)	1678*	4788*	62*	27
4000 Lumens 80 CRI (L40S)	1844*	5261*	59*	31
1500 Lumens 97 CRI (L15A)	682*	1947*	57*	12
2100 Lumens 97 CRI (L21A)	959*	2736*	50*	19
2800 Lumens 97 CRI (L28A)	1291*	3683*	48*	27
3000 Lumens 97 CRI (L30A)	1420*	4051*	46*	31

*estimated values

– photometric con't –



STANDARD DRIVER INFORMATION (UL Class 2, dry and damp location)

Voltage	120	277
Input Watts (L19S/L27S/L36S/L40S/L15A/L21A/L28A/L30A)	12/19/27/31/12/19/27/31	12/19/27/31/12/19/27/31
Input Current(A) (L19S/L27S/L36S/L40S/L15A/L21A/L28A/L30A)	.10/.16/.23/.26/.10/.16/.23/.26	.04/.07/.10/.11/.04/.07/.10/.11
Output Current (mA)	350-800	350-800
Min. Power Factor 0.99	0.90	0.90
Operating Temperature Range (F)	-4 to 122	-4 to 122

LIGHT OUTPUT MULTIPLIER

LED Module Type	Light Output Multiplier
1900 Lumens 80 CRI (L19S)	0.49*
2700 Lumens 80 CRI (L27S)	0.68*
3600 Lumens 80 CRI (L36S)	0.91*
4000 Lumens 80 CRI (L40S)	1
1500 Lumens 97 CRI (L15A)	0.37*
2100 Lumens 97 CRI (L21A)	0.52*
2800 Lumens 97 CRI (L28A)	0.7*
3000 Lumens 97 CRI (L30A)	0.77*