

# IDM MAXIMA® CZS O-OBM



surface mounted LED cross-baffled accent light with integral dimmer



IDM Maxima CZS O-OBM is a surface mounted cross-baffled accent light capable of 16° to 40° beam spreads. Fixture is powered by Citizen chip-on-board LED's providing either a CRI of 97 within 2-step MacAdam ellipses or a CRI of 80 within 3-step MacAdam ellipses. See tables on reverse for wattages and efficacies.

- Luminaire is designed for mounting on a 4" octagonal outlet box (by others).
- Whether operated on 120-volt or 277-volt service, luminaire may be dimmed to 10% by an integral rotary dimmer located in the center of the housing top. Dimmer control shaft is spring loaded, permitting shaft to be expressed for adjustment and then depressed flush with the housing top to conserve dimmer setting. 'Clock face' markings permit registration of dimmer setting. (See illustrations below.)
- Luminaire is available with 16°, 28° or 40° reflectors and is equipped with a matte black cross-baffle assembly to control surface brightness and reduce spill light.
- Beam spread may be changed by removing the cross-baffle, replacing one 'twist and lock' reflector with another, and re-inserting the baffle. Luminaire is ordered with a single reflector; one or more of the other two may be ordered as accessories.
- Luminaire accepts one or two of a number of **Optical Accessories** including spread lenses, a beam smoother, color filters and light reductions screens. A complimentary Beam Smoother is included.
- A concealed swivel provides 385° horizontal rotation and vertical adjustment from 0° to 90°. The swivel is permanently tensioned, allowing the luminaire to remain fixed at any aiming angle.
- Maxima luminaires have seamless aluminum housings and cast aluminum tops for lightweight durability and heat dissipation.
- For more information, [click here](#).

## PRODUCT CODE

For complete product code, list basic unit and select one item from each following box.

<b>Basic Unit</b> .....	IDM-MX-CZS2-OB-OX
<b>Beam Spread Reflector</b> (specify one to ship with fixture)	
16° spot .....	16D
28° narrow flood.....	28D
40° flood.....	40D
<b>Finish</b>	
white paint finish .....	- WH
black paint finish .....	- BL
Industrial Silver paint finish .....	- SI
custom color paint finish.....	include physical chip with order ..... - CC
<b>Light Source Output (Lumens)</b>	
2800 lumens / 97 CRI .....	2700K & 3000K only ..... - L28A
3600 lumens / 80 CRI .....	- L36S
<b>Light Color</b>	
2700 K .....	- 27K
3000 K .....	- 30K
3500 K .....	not available with all Light Outputs (see above)..... - 35K
4000 K .....	not available with all Light Outputs (see above)..... - 40K

- Dimming Notes:**
- Fixture may be dimmed only by its integral dimmer.
  - Fixture cannot be dimmed by a dimmer of any kind on the fixture circuit.
  - Fixture may be damaged by use of an incandescent or ELV dimmer on the fixture circuit.
  - Fixture will not be dimmed or damaged by use of a 0-10V dimmer on the fixture circuit.
  - Combination with wireless Bluetooth controls available as modification.

## OPTIONS Specify by adding to the product code.

a rocker type <b>on/off switch</b> on fixture top, for use on 120-volt track only .....	- SW
white switch for white fixture, black for Silver or black fixture, specify which for custom color fixture	

► For luminaires modified for 50A or 60A track systems, contact factory.

## EXTRA REFLECTORS Specify as separate line items.

16° spot reflector .....	MX-CZS-REF16
28° narrow flood reflector .....	MX-CZS-REF28
40° flood reflector .....	MX-CZS-REF40

## OPTICAL ACCESSORIES ▼ See next page



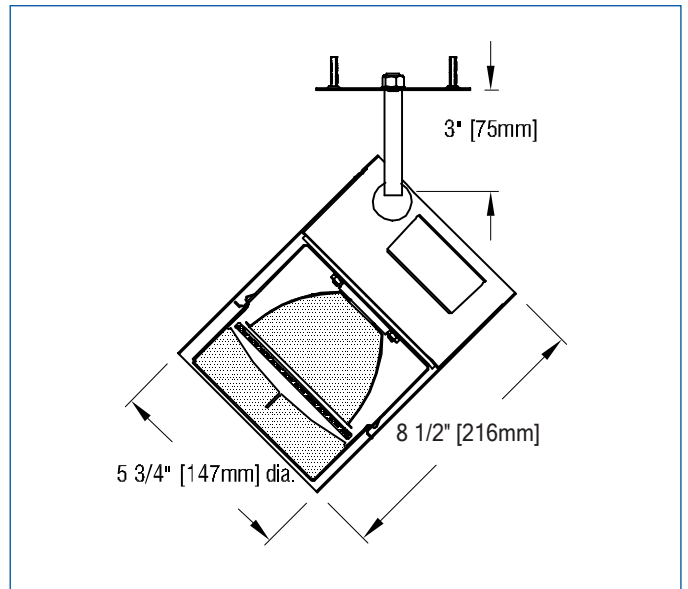
## DIMMER OPERATION



## OPTICAL ACCESSORIES

Specify as separate line items; only for use with one of the above.  
All are 4 3/4" (121mm) diameter. Lenses and filters are glass; screens are aluminum.

<b>30° spread lens</b> .....	LENS/4.75-30
<b>20° x 55° spread lens</b> .....	LENS/4.75
<b>70° spread lens</b> .....	LENS/4.75-70
<b>prismatic lens (Solite)</b> .....	PLS/4.75
<b>40° x 70° spread lens</b> .....	LENS/4.75-4070
<b>beam smoother included with fixture</b> .....	CLR/4.75
<b>color filters</b>	
Daylight Blue .....	DAY/4.75
Surprise Pink .....	PNK/4.75
amber .....	AMB/4.75
blue .....	BLU/4.75
green .....	GRN/4.75
red .....	RED/4.75
<b>33% light reduction screen</b> .....	SCR33/4.75
<b>50% light reduction screen</b> .....	SCR50/4.75



## APPLICATIONS

Luminaire is suitable for highlighting vertical or horizontal surfaces, as well as objects in museums, galleries, showrooms, residences, offices and stores.

Luminaire is listed for Damp Location mounting on a standard 4" octagonal outlet box (by others).

– see below for photometric reports –



## PHOTOMETRIC REPORT with 16° reflector (tested per IESNA LM-79-2008)

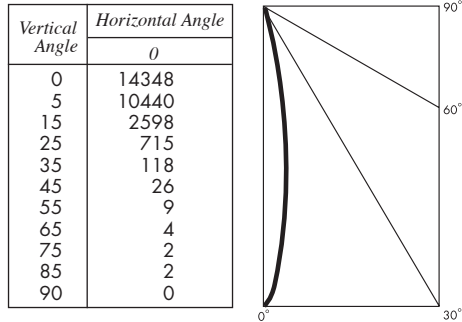
Prorated from Verification Services Report No. 12186406.04. Original test report furnished upon request.

Luminaire ..... surface-mounted LED accent light with a 16° reflector and black cross-baffle (NO LENS)

Lamp ..... Citizen LED Module, 4000 lumens, 3000K

Lamp Life ..... rated 50.000 hours based on L70/B50 criteria. LM80 report by LED manufacturer furnished upon request

### CANDLEPOWER DISTRIBUTION (Candela)



### LUMINAIRE LIGHT OUTPUT AND EFFICACY

LED Module Type	Luminaire Light Output	Luminaire CBCP	Luminaire Efficacy (lms/watt)	System Wattage
3600 Lumens 80 CRI (L36S)	1866*	13057*	69*	27
2800 Lumens 97 CRI (L28A)	1436*	10044*	53*	27

\*estimated values

## PHOTOMETRIC REPORT with 28° reflector (tested per IESNA LM-79-2008)

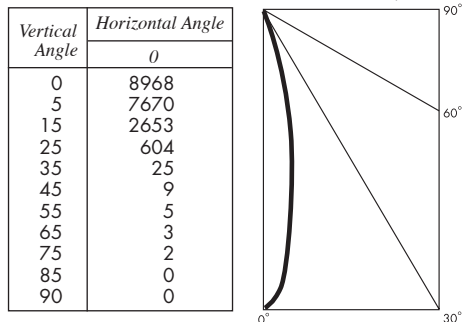
Prorated from Verification Services Report No. 12186406.06. Original test report furnished upon request.

Luminaire ..... surface-mounted LED accent light with a 28° reflector and black cross-baffle (NO LENS)

Lamp ..... Citizen LED Module, 4000 lumens, 3000K

Lamp Life ..... rated 50.000 hours based on L70/B50 criteria. LM80 report by LED manufacturer furnished upon request

### CANDLEPOWER DISTRIBUTION (Candela)



### LUMINAIRE LIGHT OUTPUT AND EFFICACY

LED Module Type	Luminaire Light Output	Luminaire CBCP	Luminaire Efficacy (lms/watt)	System Wattage
3600 Lumens 80 CRI (L36S)	1610*	8161*	60*	27
2800 Lumens 97 CRI (L28A)	1238*	6278*	46*	27

\*estimated values

## PHOTOMETRIC REPORT with 40° reflector (tested per IESNA LM-79-2008)

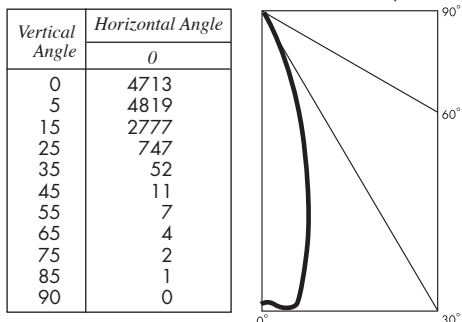
Prorated from Verification Services Report No. 12186406.08. Original test report furnished upon request.

Luminaire ..... surface-mounted LED accent light with a 40° reflector and black cross-baffle (NO LENS)

Lamp ..... Citizen LED Module, 4000 lumens, 3000K

Lamp Life ..... rated 50.000 hours based on L70/B50 criteria. LM80 report by LED manufacturer furnished upon request

### CANDLEPOWER DISTRIBUTION (Candela)



### LUMINAIRE LIGHT OUTPUT AND EFFICACY

LED Module Type	Luminaire Light Output	Luminaire CBCP	Luminaire Efficacy (lms/watt)	System Wattage
3600 Lumens 80 CRI (L36S)	1494*	4385*	55*	27
2800 Lumens 97 CRI (L28A)	1149*	3373*	43*	27

\*estimated values

– photometric con't –



## STANDARD DRIVER INFORMATION (UL Class 2, dry and damp location)

<i>Voltage</i>	<i>120</i>	<i>277</i>
Input Watts (L36S/L28A)	27/27	27/27
Input Current(A) (L36S/L28A)	.23/.23	.10/.10
Output Current (mA)	700	700
Min. Power Factor 0.99	0.90	0.90
Operating Temperature Range (F)	-4 to 122	-4 to 122

## LIGHT OUTPUT MULTIPLIER

<i>LED Module Type</i>	<i>Light Output Multiplier</i>
3600 Lumens 80 CRI (L36S)	0.91*
4000 Lumens 80 CRI (L40S) [test only]	1
2800 Lumens 97 CRI (L28A)	0.7*