

IDM MAXIMA® LED W-OBM

surface mounted LED wallwasher with integral dimmer



IDM Maxima LED W-OBM is a surface mounted wallwasher powered by one of two Xicato LED modules, all of which are distinguished by extraordinary color consistency (within 1x2-step MacAdam ellipse). See tables on the reverse for wattages and efficacies.

- Luminaire is designed for mounting on a 4" octagonal outlet box (by others).
- Whether operated on 120-volt or 277-volt service, luminaire may be dimmed to 10% by an integral rotary dimmer located in the center of the housing top. Dimmer control shaft is spring loaded, permitting shaft to be expressed for adjustment and then depressed flush with the housing top to conserve dimmer setting. 'Clock face' markings permit registration of dimmer setting. (See illustrations below.)
- Luminaire optical assembly consists of an aluminum reflector and a 40° x 70° spread lens. In addition, the assembly can accept one of a number of optional [Optical Accessories](#) including color filters and screens. Assembly is keyed relative to luminaire housing, to retain critical lens orientation.
- A concealed swivel provides 385° horizontal rotation and vertical adjustment from 0° to 90°. The swivel is permanently tensioned, allowing the luminaire to remain fixed at any aiming angle.
- Maxima luminaires have seamless aluminum housings and cast aluminum tops for lightweight durability and heat dissipation. Standard finish is matte white; also available in black and Industrial Silver matte paint finishes.
- For more information, [click here](#).

PRODUCT CODE

For complete product code, list basic unit and select one item from each following box.

Basic Unit	IDM-MX-XTM-OB-W
Finish	
white paint finish	- WH
black paint finish	- BL
Industrial Silver paint finish	- SI
custom color paint finish..... include physical chip with order	- CC
Light Source Output	
2100 lumens / CRI 80+	- L21S
2100 lumens / CRI 80+ Vibrant 3000K only	- L21V
2140 lumens / CRI 98 Artist	- L21A
2700 lumens / CRI 80+	- L27S
2700 lumens / CRI 80+ Vibrant 3000K only	- L27V
Light Color	
2700 K	- 27K
3000 K	- 30K
3500 K	- 35K
4000 K	- 40K

Dimming Notes:

- Fixture may be dimmed only by its integral dimmer.
- Fixture cannot be dimmed by a dimmer of any kind on the fixture circuit.
- Fixture may be damaged by use of an incandescent or ELV dimmer on the fixture circuit.
- Fixture will not be dimmed or damaged by use of a 0-10V dimmer on the fixture circuit.

OPTIONS *Specify by adding to the product code.*

a rocker type **on/off switch** on fixture top, for use on 120-volt service only..... – SW
white switch for white fixture, black for Silver or black fixture, specify which for custom color fixture

OPTICAL ACCESSORIES

Specify as separate line items.

All are 4 3/4" (121mm) dia. Filters are glass; screens are aluminum.

color filters	
Daylight Blue	DAY/4.75
Surprise Pink	PNK/4.75
amber	AMB/4.75
blue	BLU/4.75
green	GRN/4.75
red	RED/4.75
33% light reduction screen	SCR33/4.75
50% light reduction screen	SCR50/4.75



41-50 22ND STREET, LIC NY 11101 TEL 718.685.0700 FAX 718.786.8530 www.epl.com

©Copyright, Edison Price Lighting 2017

MidiMax is a pending trademark of Edison Price Lighting.

LED 0-235 2:17

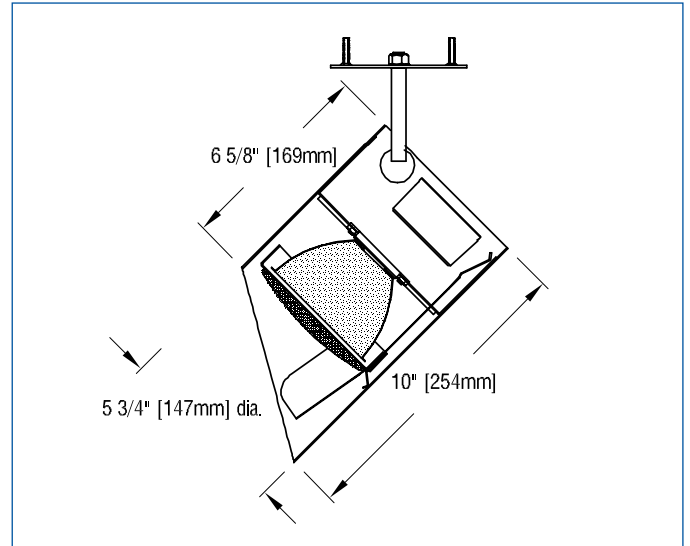
DIMMER OPERATION



APPLICATIONS

Luminaire is suitable for highlighting vertical surfaces in museums, galleries, showrooms, residences, offices and stores.

Luminaire is suitable for 120-volt or 277-volt electrical service and is listed for Damp Location mounting on a standard 4" octagonal outlet box (by others).



– see below for photometric reports –



PHOTOMETRIC REPORT (tested per IESNA LM-79-2008)

Data prorated from Verification Services Report No. 1155760. Original report furnished upon request.

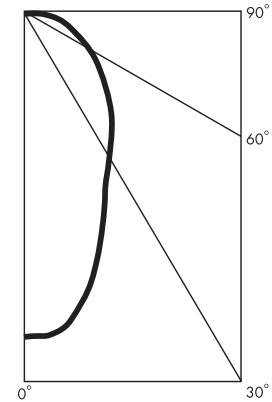
Luminaire surface-mounted LED wallwasher with a 43° internal reflector, a 40° x 70° spread lens and a specular kicker reflector.
 Lamp Xicato LED Module, 2700 lumens, 3000K

WALLWASH INFORMATION

Distance From Ceiling (Feet)	3' From Wall; 3' O.C. (2100 lumens)		3' 6" From Wall; 3' 6" O.C. (2100 lumens)		4' From Wall; 4' O.C. (2700 lumens)	
	Below Fixture	Between Fixtures	Below Fixture	Between Fixtures	Below Fixture	Between Fixtures
1	28	26	22	21	18	17
2	40	35	29	26	23	22
3	38	36	30	28	26	24
4	32	31	27	26	25	24
5	26	26	23	23	23	22
6	22	21	20	19	19	19
7	18	17	16	16	16	16
8	14	14	14	13	14	14
9	11	11	11	11	13	12
10	9	9	9	9	11	10
11	7	7	8	7	9	9
12	6	6	6	6	8	7
13					6	6
14					5	5
15					5	5

This table lists initial illuminance values at the center of a row of at least 5 fixtures with no contribution from ceiling or floor reflectance. Fixtures were modeled with maximum candlepower at 15° above vertical.

CANDLEPOWER DISTRIBUTION



STANDARD DRIVER INFORMATION (UL Class 2, dry and damp location)

Voltage	120	277
Input Watts (2140A/2100/2700 lumens)	26/23/26	26/18/26
Input Current(A) (2140A/2100/2700 lumens)	.22/.19/.22	.09/.08/.09
Output Current (mA)	700	700
Min. Power Factor	0.90	0.90
Operating Temperature Range (F)	-13 to 122	-13 to 122

LIGHT OUTPUT MULTIPLIER

LED Module Type	Luminaire Output Multiplier
2140 Lumens Artist	.79*
2100 Lumens standard & Vibrant	.79*
2700 Lumens standard & Vibrant	1

*estimated values

LUMINAIRE LIGHT OUTPUT AND EFFICACY

LED Module Type	Luminaire Light Output	Luminaire Efficacy (lms/watt)	System Wattage
2140 Lumens Artist	1162*	45*	26
2100 Lumens standard & Vibrant	1162*	51*	23
2700 Lumens standard & Vibrant	1465*	56*	26

*estimated values