

Project

Type



Date

Product Code

Designer

# IDM MIDIMAX™ LED NSP-OBM

surface mounted LED ring-baffled spotlight with integral dimmer



IDM MidiMax LED NSP-OBM is a surface mounted 10° or 24° spotlight powered by one of two Xicato LED modules, all of which are distinguished by extraordinary color consistency (within 1x2-step MacAdam ellipse). See tables below for wattages and efficacies.

- Luminaire is designed for mounting on a 4" octagonal outlet box (by others).
- Whether operated on 120-volt or 277-volt service, luminaire may be dimmed to 10% by an integral rotary dimmer located in the center of the housing top. Dimmer control shaft is spring loaded, permitting shaft to be expressed for adjustment and then depressed flush with the housing top to conserve dimmer setting. 'Clock face' markings permit registration of dimmer setting. (See illustrations below.)
- Optical assembly consists of an integral reflector and a matte black concentric ring baffle which increases beam control, eliminates spill light and minimizes glare. Ring baffle is equipped with clips to accept one or two of a number of [Optical Accessories](#) including spread lenses, color filters and light reduction screens. A complimentary Beam Smoother is included.
- Beam spread is changed by removing the ring-baffle assembly, replacing one 'twist and lock' reflector with another, and re-inserting the ring-baffle assembly. Luminaire is ordered with a single reflector; the other reflector may be ordered as an accessory.
- A concealed swivel provides 385° horizontal rotation and vertical adjustment from 0° to 90°. The swivel is permanently tensioned, allowing the luminaire to remain fixed at any aiming angle.
- MidiMax luminaires have seamless aluminum housings and cast aluminum tops for lightweight durability and heat dissipation.
- For more information, [click here](#).

## PRODUCT CODE

For complete product code, list basic unit and select one item from each following box.

Basic Unit .....	IDM-LX2-XTS-OG-OB
Beam Spread Reflector (specify one to ship with fixture)	
10° narrow spot .....	- 10D
24° spot .....	- 24D
Finish	
white paint finish .....	- WH
black paint finish .....	- BL
Industrial Silver paint finish .....	- SI
custom color paint finish..... include physical chip with order .....	- CC
Light Source Output	
1600 lumens / CRI 98 Artist .....	- L16A
2000 lumens / CRI 80+ .....	- L20S
2000 lumens / CRI 80+ Vibrant..... 3000K only .....	- L20V
Light Color	
2700 K .....	- 27K
3000 K.....	- 30K
3500 K .....	- 35K
4000 K.....	- 40K

- Dimming Notes:**
- Fixture may be dimmed only by its integral dimmer.
  - Fixture cannot be dimmed by a dimmer of any kind on the fixture circuit.
  - Fixture may be damaged by use of an incandescent or ELV dimmer on the fixture circuit.
  - Fixture will not be dimmed or damaged by use of a 0-10V dimmer on the fixture circuit.
  - Combination with wireless Bluetooth controls available as modification.

## OPTIONS *Specify by adding to the product code.*

a rocker type on/off switch on fixture top, for use on 120-volt service only.....	- SW
<i>white switch for white fixture, black for Silver or black fixture, specify which for custom color fixture</i>	

## EXTRA REFLECTORS *Specify as separate line items.*

10° narrow spot reflector .....	XTS-REF10-72
24° spot reflector .....	XTS-REF24-70

## OPTICAL ACCESSORIES ▼ *See next page*

### MODIFICATIONS AVAILABLE

Contact factory with quantity for pricing; orders may require shop drawing approval. For modified stem lengths up to 72", add the following to the end of the product code: + number of inches.



## DIMMER OPERATION

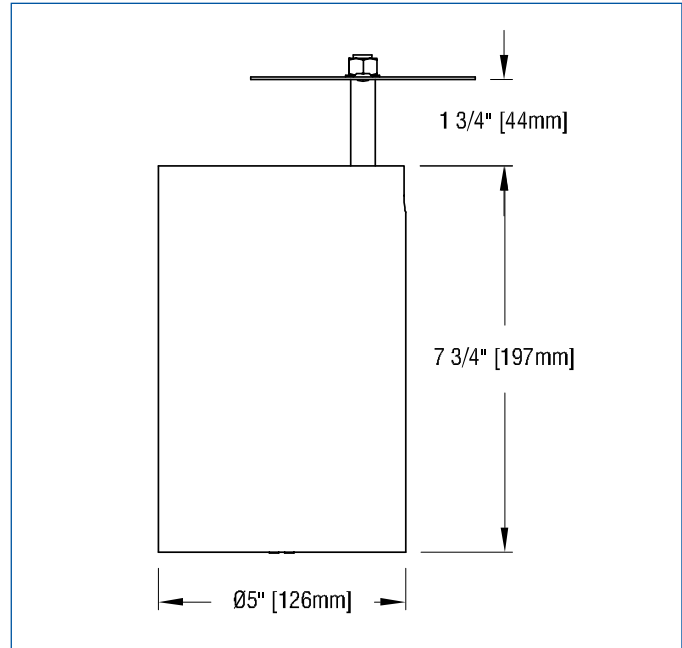


## OPTICAL ACCESSORIES

Specify as separate line items.

All are 2 3/4" (70mm) dia. Lenses and filters are glass; screens are aluminum.

<b>diffuse glass</b> .....	DGS/2.75
<b>prismatic lens</b> (Solite) .....	PLS/2.75
<b>55° spread lens</b> .....	LENS/2.75
<b>40° x 70° spread lens</b> .....	LENS/2.75-4070
<b>beam smoother</b> ..... included with fixture .....	CLR/2.75
<b>color filters</b>	
Daylight Blue .....	DAY/2.75
Surprise Pink .....	PNK/2.75
amber .....	AMB/2.75
blue .....	BLU/2.75
green .....	GRN/2.75
red .....	RED/2.75
<b>33% light reduction screen</b> .....	SCR33/2.75
<b>50% light reduction screen</b> .....	SCR50/2.75



## APPLICATIONS

Luminaire is suitable for highlighting objects in museums, galleries, showrooms, residences, offices and stores.

Luminaire is suitable for 120-volt or 277-volt electrical service and is listed for Damp Location mounting on a standard 4" octagonal outlet box (by others).

– see below for photometric reports –



## PHOTOMETRIC REPORT with 10° reflector (tested per IESNA LM-79-2008)

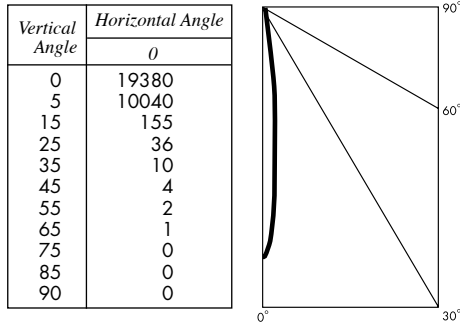
UL Verification Services Report No. 1222997. Original test report furnished upon request.

Luminaire ..... surface-mounted LED accent light with a 10° reflector and black ring-baffle (NO LENS)

Lamp ..... Xicato 9mm XTM LED Module, 2000 lumens, 3000K

Lamp Life ..... rated 50.000 hours based on L70/B50 criteria. LM80 report by LED manufacturer furnished upon request

### CANDLEPOWER DISTRIBUTION



### LUMINAIRE LIGHT OUTPUT AND EFFICACY

LED Module Type	Luminaire Light Output	Luminaire CBCP	Luminaire Efficacy (lms/watt)	System Wattage
1600 Lumens Artist	600*	15,116*	16*	38
2000 Lumens standard & Vibrant	769	19,380	21	38

\*estimated values

## PHOTOMETRIC REPORT with 24° reflector (tested per IESNA LM-79-2008)

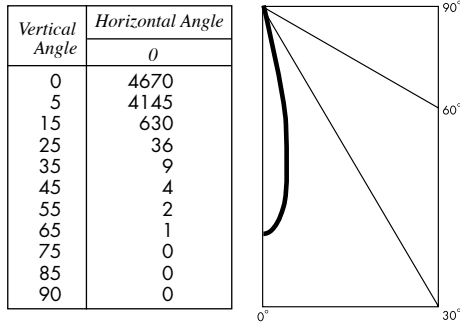
UL Verification Services Report No. 122998. Original test report furnished upon request.

Luminaire ..... surface-mounted LED accent light with a 24° reflector and black ring-baffle (NO LENS)

Lamp ..... Xicato 9mm XTM LED Module, 2000 lumens, 3000K

Lamp Life ..... rated 50.000 hours based on L70/B50 criteria. LM80 report by LED manufacturer furnished upon request

### CANDLEPOWER DISTRIBUTION



### LUMINAIRE LIGHT OUTPUT AND EFFICACY

LED Module Type	Luminaire Light Output	Luminaire CBCP	Luminaire Efficacy (lms/watt)	System Wattage
1600 Lumens Artist	447*	3643*	12*	38
2000 Lumens standard & Vibrant	573	4670	15	38

\*estimated values

## STANDARD DRIVER INFORMATION (UL Class 2, dry and damp location)

Voltage	120	277
Input Watts (L16A/L20S&V)	38/38	38/38
Input Current(A) (L16A/L20S&V)	.32/.32	.14/.14
Output Current (mA)	500-1050	500-1050
Min. Power Factor	.99	.99
Operating Temperature Range (F)	-13 to 122	-13 to 122

## LIGHT OUTPUT MULTIPLIER

LED Module Type	Light Output Multiplier
1600 Lumens Artist	.78*
2000 Lumens standard & Vibrant	1