



MAXIMA™ CLT VNSP-OBM

surface mounted LED 5° spotlight



Maxima CLT VNSP-OBM
with Ring Baffle (OG)



aperture view



Maxima CLT VNSP-OBM
with Open Aperture (OH)



aperture view

- Luminaire is designed for mounting on a 4" octagonal outlet box (by others).
- Fixture appearance and performance can be changed with your choice of Aperture Assembly.
- Aperture Assembly choices
 - Ring Baffle with lens clips (OG) for enhanced glare control; clips accept one or two [Optical Accessories](#) including spread lenses, filters and screens.
 - Open Aperture (OH) for maximum efficacy; concealed lens holder accepts one or two [Optical Accessories](#).
- Fixture is ordered with a single aperture assembly; an additional aperture assembly may be ordered as an accessory.
- A concealed swivel provides 385° horizontal rotation and vertical adjustment from 0° to 90°. The swivel is permanently tensioned, allowing the luminaire to remain fixed at any aiming angle.
- Maxima luminaires have seamless aluminum housings and cast aluminum tops for lightweight durability and heat dissipation.
- For more information, [click here](#).

Maxima CLT VNSP-OBM is a surface mounted 5° spotlight powered by Cree chip-on-board LED's providing either a CRI of 98 or a CRI of 80+ both within 2-step MacAdam ellipses, capable of CBCP as high as 116,884. See tables on reverse for wattages and efficacies.

PRODUCT CODE

For complete product code, list basic unit and select one item from each following box.

Basic Unit.....MX-CLT-OB-5D

Finish

white paint finish - WH
black paint finish - BL
Industrial Silver paint finish - SI
custom color paint finish..... include physical chip with order - CC

Aperture Assembly

Ring Baffle with Optical Accessory clips..... - OG
Open Aperture - OH

Driver

dimmable to 1% by a 0-10V dimmer on 120 or
277-volt service - DMV
dimmable to 5% by either an incandescent or ELV dimmer;
120-volt service only - DMP

Light Source Output (Lumens)

1200L / CRI 98.....2700K or 3000K - L12A
1600L / CRI 98.....2700K or 3000K - L16A
1600L / CRI 80+.....all light colors - L16S
2100L / CRI 80+.....all light colors - L21S

Light Color

2700 K - 27K
3000 K - 30K
3500 K not available with all Light Outputs (see above)..... - 35K
4000 K not available with all Light Outputs (see above)..... - 40K
5000 K not available with all Light Outputs (see above)..... - 50K

OPTIONS *Specify by adding to the product code.*

a rocker type **on/off switch** on fixture top, for use on
120-volt track only..... - SW
*white switch for white fixture, black for Silver or black fixture,
specify which for custom color fixture*

EXTRA APERTURES *Specify as separate line items.*

Aperture Assembly

Ring Baffle with Optical Accessory clips..... - RK-MX-VN-SP-OG
Open Aperture - RK-LX-OH

OPTICAL ACCESSORIES ▼ *See next page*



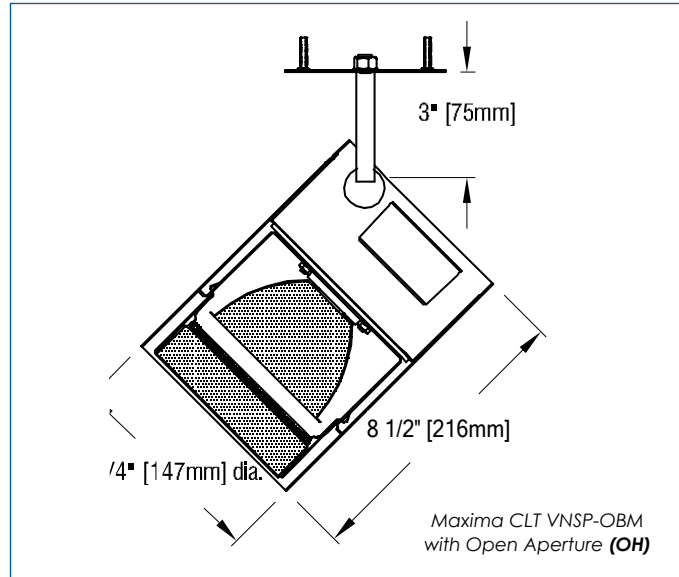
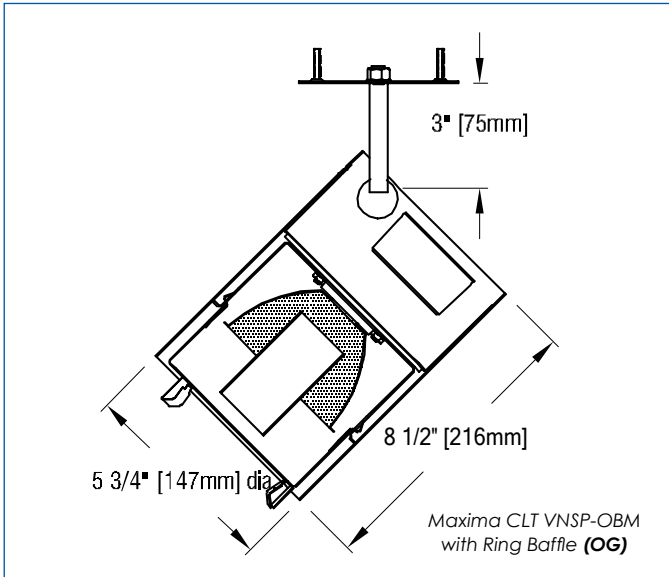
OPTICAL ACCESSORIES

Suitable for use only with 'OG' model luminaire with lens clips.

Specify as separate items.

All are 4 3/4" (121 mm) diameter. Lenses and filters are glass; screens are aluminum.

30° spread lens	LENS/4.75-30
20° x 55° spread lens	LENS/4.75
70° spread lens	LENS/4.75-70
prismatic lens (Solite)	PLS/4.75
40° x 70° spread lens	LENS/4.75-4070
beam smoother	CLR/4.75
color filters	
Daylight Blue	DAY/4.75
Surprise Pink	PNK/4.75
amber	AMB/4.75
blue	BLU/4.75
green	GRN/4.75
red	RED/4.75
33% light reduction screen	SCR33/4.75
50% light reduction screen	SCR50/4.75



APPLICATIONS

Luminaire is suitable for spotlighting objects in museums, galleries, showrooms, residences, offices and stores.

Luminaire is listed for Damp Location mounting on a standard 4" octagonal outlet box (by others).

– see below for photometric reports –

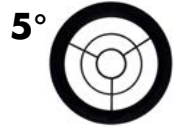


PHOTOMETRIC REPORT (tested per IESNA LM-79-2008)

Prorated from Verification Services Report No. 12092412. Original test report furnished upon request.

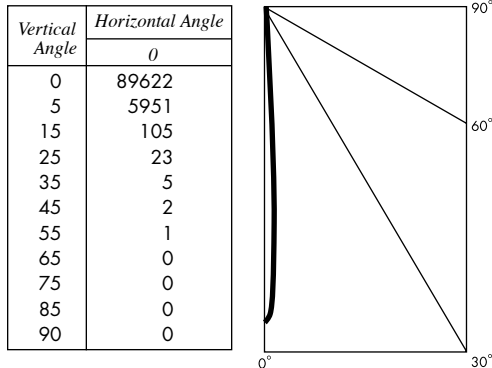
Luminaire surface-mounted LED accent light with a 5° reflector and black ring baffle (NO LENS)

Lamp Cree LED, 2100 lumens, 3000K CCT



CANDLEPOWER DISTRIBUTION (Candela)

(based on 2700 lumens 80 CRI test)



LUMINAIRE LIGHT OUTPUT AND EFFICACY

LED Module Type	Luminaire Light Output	Luminaire CBCP	Luminaire Efficacy (lumens/watt)	System Wattage
1600 Lumens 80 CRI (L16S)	625*	66,320*	45*	14
2100 Lumens 80 CRI (L21S)	844*	89,622*	42*	20
1200 Lumens 98 CRI (L12A)	473*	50,188*	34*	14
1600 Lumens 98 CRI (L16A)	641*	68,113*	32*	20

*estimated values

PHOTOMETRIC REPORT (tested per IESNA LM-79-2008)

Prorated from Verification Services Report No. 12139550.01. Original test report furnished upon request.

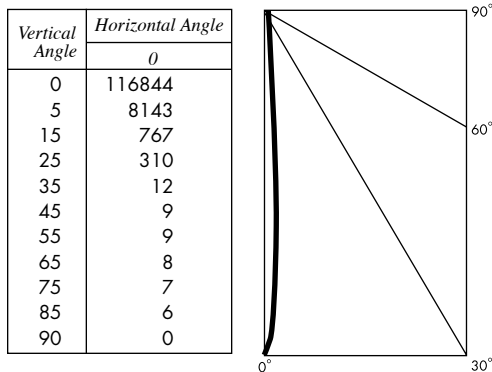
Luminaire surface-mounted LED accent light with a 5° reflector and open aperture (NO LENS)

Lamp Cree LED, 2100 lumens, 3000K CCT



CANDLEPOWER DISTRIBUTION (Candela)

(based on 2700 lumens 80 CRI test)



LUMINAIRE LIGHT OUTPUT AND EFFICACY

LED Module Type	Luminaire Light Output	Luminaire CBCP	Luminaire Efficacy (lumens/watt)	System Wattage
1600 Lumens 80 CRI (L16S)	1093*	86465*	78*	14
2100 Lumens 80 CRI (L21S)	1477*	116844*	74*	20
1200 Lumens 98 CRI (L12A)	827*	65433*	59*	14
1600 Lumens 98 CRI (L16A)	1123*	88801*	56*	20

*estimated values

LIGHT OUTPUT MULTIPLIER

(based on 2700 lumens 80 CRI test)

LED Module	Light Output Multiplier
1600 Lumens 80 CRI (L16S)	.74*
2100 Lumens 80 CRI (L21S)	1
1200 Lumens 98 CRI (L12A)	.56*
1600 Lumens 98 CRI (L16A)	.76*

*estimated values

STANDARD DRIVER INFORMATION

(UL Class 2, dry and damp location)

Voltage	120	277
Input Watts (L16S/L21S/L12A/L16A)	14/20/14/20	14/20/14/20
Input Current (A) (L16S/L21S/L12A/L16A)	.12/.17/.12/.17	.05/.07/.05/.07
Output Current (mA)	350-700	350-700
Min. Power Factor	0.90	0.90
Operating Temperature Range (F)	-4 to 122	-4 to 122