

Project

Type



Date

Product Code

Designer

MAXIMA™ XTM NSP-OBM

surface mounted LED ring-baffled spotlight



Maxima XTM NSP-OBM is a surface mounted 13° or 28° spotlight powered by one of a number of Xicato 19mm LED modules – including Artist Series and Vibrant Series modules – all of which are distinguished by extraordinary color consistency (within 1x2-step MacAdam ellipse). See tables on the reverse for wattages and efficacies.

- Luminaire is designed for mounting on a 4" octagonal outlet box (by others).
- Luminaire may be ordered with one of a number of drivers.
- Optical assembly consists of an integral reflector and a matte black concentric ring baffle which increases beam control, eliminates spill light and minimizes glare. Clips accept one or two of a number of [Optical Accessories](#) including spread lenses, a beam smoother, color filters and light reduction screens.
- Beam spread may be changed by removing the ring baffle, replacing one 'twist an lock' [reflector](#) with the other, and re-inserting the ring baffle. Luminaire is ordered with a single reflector; the other reflector may be ordered as an accessory.
- A concealed swivel provides 385° horizontal rotation and vertical adjustment from 0° to 90°. The swivel is permanently tensioned, allowing the luminaire to remain fixed at any aiming angle.
- Maxima luminaires have seamless aluminum housings and cast aluminum tops for lightweight durability and heat dissipation.
- For more information, [click here](#).

PRODUCT CODE

For complete product code, list basic unit and select one item from each following box.

Basic Unit	MX-XTM-OB-OG
Beam Spread Reflector (specify one to ship with fixture)	
13° narrow spot	- 13D
28° spot	- 28D
Finish	
white paint finish	- WH
black paint finish	- BL
Industrial Silver paint finish	- SI
custom color paint finish...include paint number or physical chip with order.....	- CC
Driver	
dimmable to 10% (see Light Output box below) with electronic low voltage (ELV) dimmer on 120-volt track	- DME
dimmable to 5% (see Light Output box below) with either incandescent or electronic low voltage (ELV) dimmer on 120-volt track	- DMP
dimmable to 10% or 1% (see Light Output box below) with a 0-10V dimmer on 120-volt or 277-volt service.....	- DMV
Dimmable by integral dimmer, see IDM Maxima LED NSP-OBM	
Light Source Output (Lumens)	
1000L /CRI 98 Artist	DMP (5%) or DMV (1%)...L10A
1400L /CRI 98 Artist.....	DMP (5%) or DMV (1%) ...L14A
1500L /CRI 80+	DMP (5%) or DMV (1%) ... L15S
1500L /CRI 80+ Vibrant...3000K only	DMP (5%) or DMV (10%)...L15V
2100L /CRI 80+	DMP (5%) or DMV (1%)... L21S
2100L /CRI 80+ Vibrant...3000K only	DMP (5%) or DMV (10%)...L21V
2140L /CRI 98 Artist	DME (10%) or DMV (1%)...L21A
Light Color	
2700 K	- 27K
3000 K	- 30K
3500 K	- 35K
4000 K	- 40K

OPTIONS *Specify by adding to the product code.*

a rocker type on/off switch on fixture top, for use on 120-volt track only.....	- SW
<i>white switch for white fixture, black for Silver or black fixture, specify which for custom color fixture</i>	

EXTRA REFLECTORS *Specify as separate line items.*

13° spot reflector	XTM-REF13-111
28° narrow flood reflector	XTM-REF28-111

OPTICAL ACCESSORIES ▼ *See next page*

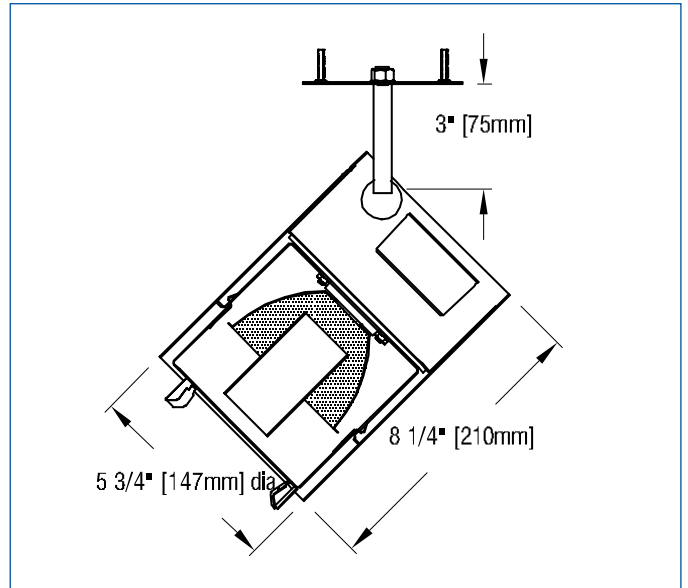


OPTICAL ACCESSORIES

Specify as separate items

All are 4 3/4" (121mm) diameter. Lenses and filters are glass; screens are aluminum.

30° spread lens	LENS/4.75-30
20° x 55° spread lens	LENS/4.75
70° spread lens	LENS/4.75-70
prismatic lens (Solite)	PLS/4.75
40° x 70° spread lens	LENS/4.75-4070
beam smoother	CLR/4.75
color filters	
Daylight Blue	DAY/4.75
Surprise Pink	PNK/4.75
amber	AMB/4.75
blue	BLU/4.75
green	GRN/4.75
red	RED/4.75
33% light reduction screen	SCR33/4.75
50% light reduction screen	SCR50/4.75



APPLICATIONS

Luminaire is suitable for highlighting vertical or horizontal surfaces, as well as objects in museums, galleries, showrooms, residences, offices and stores.

Luminaire is listed for Damp Location mounting on a standard 4" octagonal outlet box (by others).

– see below for photometric reports –



PHOTOMETRIC REPORT with 13° reflector (tested per IESNA LM-79-2008)

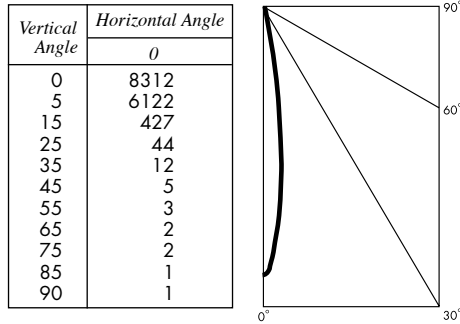
UL Verification Services Report No. 1155765. Original test report furnished upon request.

Luminaire surface-mounted LED accent light with a 13° reflector and black ring baffle (NO LENS)

Lamp Xicato XTM LED Module, 3000 lumens, 3000K

Lamp Life rated 50,000 hours based on L70/B50 criteria. LM80 report by LED manufacturer furnished upon request

CANDLEPOWER DISTRIBUTION



LUMINAIRE LIGHT OUTPUT AND EFFICACY

LED Module Type	Luminaire Light Output	Luminaire CBCP	Luminaire Efficacy (lms/watt)	System Wattage
1000 Lumens Artist	231*	2807*	16*	14
1400 Lumens Artist	325*	3957*	15*	21
2140 Lumens Artist	488*	5935*	19*	26
1500 Lumens standard & Vibrant	349*	4252*	19*	18
2100 Lumens standard & Vibrant	488*	5935*	21*	23

*estimated values

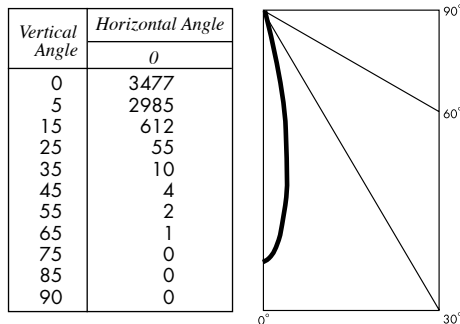
PHOTOMETRIC REPORT with 28° reflector (tested per IESNA LM-79-2008)

UL Verification Services Report No. 1155764. Original test report furnished upon request.

Luminaire surface-mounted LED accent light with a 28° reflector and black ring baffle (NO LENS)

Lamp Xicato XTM LED Module, 3000 lumens, 3000K Lamp Life see above

CANDLEPOWER DISTRIBUTION



LUMINAIRE LIGHT OUTPUT AND EFFICACY

LED Module Type	Luminaire Light Output	Luminaire CBCP	Luminaire Efficacy (lms/watt)	System Wattage
1000 Lumens Artist	161*	1174*	12*	14
1400 Lumens Artist	227*	1655*	11*	21
2140 Lumens Artist	341*	2483*	13*	26
1500 Lumens standard & Vibrant	244*	1779*	14*	18
2100 Lumens standard & Vibrant	341*	2483*	15*	23

*estimated values

STANDARD DRIVER INFORMATION (UL Class 2, dry and damp location)

Voltage	120	277
Input Watts (1000A/1400A/2140A/1500/2100 lumens)	14/21/26/18/23	14/21/26/18/23
Input Current(A) (1000A/1400A/2140A/1500/2100 lumens)	.12/.18/.22/.15/.19	.05/.08/.09/.06/.08
Output Current (mA)	500-1050	500-1050
Min. Power Factor	0.90	0.90
Operating Temperature Range (F)	-13 to 122	-13 to 122

LIGHT OUTPUT MULTIPLIER

LED Module Type	Light Output Multiplier
1000 Lumens Artist	.34*
1400 Lumens Artist	.48*
2140 Lumens Artist	.71*
1500 Lumens standard & Vibrant	.51*
2100 Lumens standard & Vibrant	.71*
3000 Lumens test only	1

*estimated values