

ARTIMA®/3 O-OBM

surface mounted LED accent light



Artima/3 O OBM
with Cross Baffle (OX)

Artima/3 O OBM
with Open Aperture (OH)



aperture view



aperture view

Artima/3 O is an accent light designed for mounting on a 4" octagonal outlet box (by others). Fixture is powered by one of a number of 19mm Xicato LED modules. See tables below for wattages and efficacies.

- Fixture function can be changed with your choice of Quick Change Cartridge – which can be removed from the fixture easily – and your choice of 'twist and lock' [reflector](#).
- Quick Change Cartridge / Reflector choices
 - Quick Change Cartridge with a cross baffle (OX) for enhanced glare control; for use with a 20°, 40° or 60° reflector.
 - Quick Change Cartridge with an open aperture (OH) for maximum efficacy; for use with a 20°, 40° or 60° reflector.
- Fixture is ordered with a single Quick Change Cartridge and a single reflector. Additional Quick Change Cartridges and reflectors may be ordered as accessories.
- Fixture may be ordered with one of a number of drivers.
- **Optical Accessories:** Each Quick Change Cartridge accepts one or two of a number of spread lenses, color filters and screens. A complimentary Beam Smoother is included.
- Horizontal and vertical adjustment can be locked by tightening two collar clamps using a 3/32" hex key.
- For more information, [click here](#).

PRODUCT CODE

For complete product code, list basic unit and select one item from each following box.

Basic Unit A3-XTM-OB

Quick Change Cartridge

Cross Baffle - OX
Open Aperture - OH

Reflector (specify one to ship with fixture)

20° spot - 20D
40° flood - 40D
60° wide flood - 60D

Driver

dimmmable to 1% by a 0-10V dimmer on 120 or 277-volt service - DMV
dimmmable to 5% on some models (see Light Output box below) by either an incandescent or ELV dimmer; 120-volt service only - DMP
eldoLED 0-10V (Logarithmic) driver dimmmable to 0.1% with a 0-10V dimmer on 120 or 277-volt service..... - DVOELG
eldoLED 0-10V (Linear) driver dimmmable to 0.1% with a 0-10V dimmer on 120 or 277-volt service - DVOELN
eldoLED driver dimmmable to 0.1%, compatible with Dali control system - DA0-EL

Light Source Output (Lumens)

1300L / CRI 98 Artist	DMP	- L13A
2100L / CRI 98	DMP	- L21A
3000L / CRI 98		- L30A
1500L / CRI 90 Designer	DMP	- L15H
2100L / CRI 90	DMP	- L21H
3000L / CRI 90		- L30H
3500L / CRI 90		- L35H
1500L / CRI 80+ Vibrant	DMP	- L15V
2100L / CRI 80+	DMP	- L21V
3000L / CRI 80+	DMP	- L30V
3500L / CRI 80+		- L35V
3900L / CRI 80+		- L39V
1500L / CRI 80+ standard	DMP	- L15S
2100L / CRI 80+	DMP	- L21S
3000L / CRI 80+	DMP	- L30S
3500L / CRI 80+		- L35S
3900L / CRI 80+		- L39S

Vibrant available in 3000K only Designer available in 2000K or 3000K

Light Color

2700 K - 27K
3000 K - 30K
3500 K - 35K
4000 K - 40K

Finish

white: white paint, white lead cord, matte aluminum heat sink - WH
black: black paint, black lead cord, black heat sink - BL
Industrial Silver: silver paint, black lead cord, black heat sink - SI
custom color: include physical chip with order and select one from below
• white lead cord, matte aluminum heat sink - CCW
• black lead cord, black heat sink - CCB
• any other combinations require a special order

EXTRA REFLECTORS & CARTRIDGES

Specify as separate line items.

Reflector

20° spot reflector XTM-REF20-72
40° spot reflector XTM-REF40-72
60° spot reflector XTM-REF60-72

Quick Change Cartridge

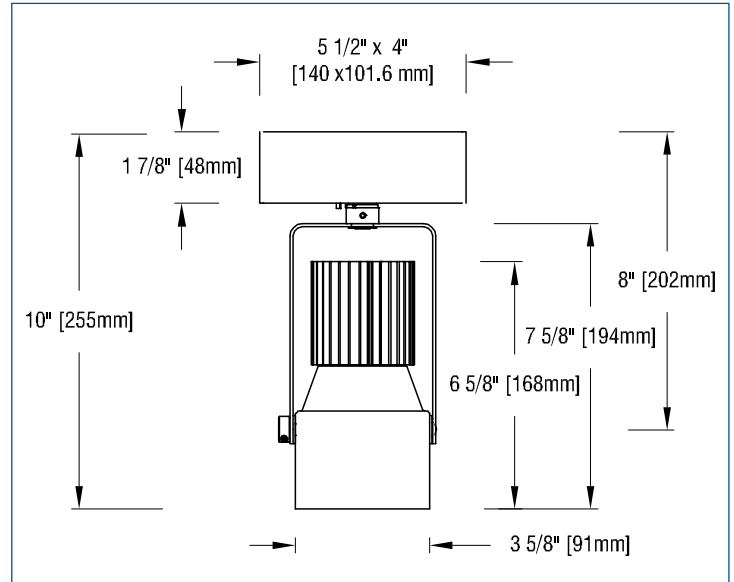
Cross Baffle A3-XTM-OX
Open Aperture A3-XTM-OH

OPTICAL ACCESSORIES

Specify as separate line items.

All are 2 3/4" (70mm) dia. Lenses and filters are glass; screens are aluminum.

diffuse glass	DGS/2.75
prismatic lens (Solite)	PLS/2.75
55° spread lens	LENS/2.75
40° x 70° spread lens	LENS/2.75-4070
beam smoother included with fixture	CLR/2.75
color filters	
Daylight Blue	DAY/2.75
Surprise Pink	PNK/2.75
amber	AMB/2.75
blue	BLU/2.75
green	GRN/2.75
red	RED/2.75
33% light reduction screen	SCR33/2.75
50% light reduction screen	SCR50/2.75



APPLICATIONS

Luminaire is suitable for highlighting vertical or horizontal surfaces, as well as objects in museums, galleries, showrooms, residences, offices and stores.

Luminaire is listed for Damp Location mounting on a standard 4" octagonal outlet box (by others).

STANDARD DRIVER INFORMATION (UL Class 2, dry and damp location)

Voltage	120	277
Input Watts (1300A/2100A/3000A/1500H/2100H/3000H/3500H/1500S&V/2100S&V/3000S&V/3500S&V/3900S&V lumens)	17/25/37/17/21/30/37/14/21/31/33/37	17/25/37/17/21/30/37/14/21/31/33/37
Input Current(A) (1300A/2100A/3000A/1500H/2100H/3000H/3500H/1500S&V/2100S&V/3000S&V/3500S&V/3900S&V lumens)	.14/.21/31/14/.18/.25/31/.12/.18/.26/.28/31	.06/.09/.13/.06/.08/.11/.13/.05/.08/.11/.12/.13
Output Current (mA)	350-700	350-700
Min. Power Factor	0.90	0.90
Operating Temperature Range (F)	-13 to 122	-13 to 122

LIGHT OUTPUT MULTIPLIER

LED Module Type	Light Output Multiplier
1300 Lumens Artist	.63*
2100 Lumens Artist	1.01*
3000 Lumens Artist	1.39*
1500 Lumens Designer	.74*
2100 Lumens Designer	1*
3000 Lumens Designer	1.41*
3500 Lumens Designer	1.6*
1500 Lumens standard & Vibrant	.75*
2100 Lumens standard & Vibrant	1
3000 Lumens standard & Vibrant	1.41*
3500 Lumens standard & Vibrant	1.63*
3900 Lumens standard & Vibrant	1.78*

*estimated values

– photometrics continued below –



PHOTOMETRIC REPORT with 20° reflector (tested per IESNA LM-79-2008)

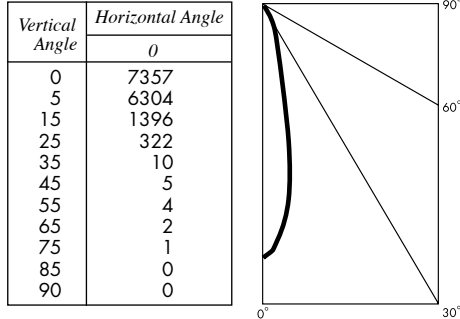
Prorated from Verification Services Report No. 1164149. Original test report furnished upon request.

Luminaire surface-mounted LED accent light with a 20° reflector and black cross-baffle (NO LENS)

Lamp Xicato XTM LED Module, 2100 lumens, 3000K

Lamp Life rated 50.000 hours based on L70/B50 criteria. LM80 report by LED manufacturer furnished upon request

CANDLEPOWER DISTRIBUTION (Candela)



LUMINAIRE LIGHT OUTPUT AND EFFICACY

LED Module Type	Luminaire Light Output	Luminaire CBCP	Luminaire Efficacy (lms/watt)	System Wattage
1300 Lumens Artist	675*	4673*	40*	17
2100 Lumens Artist	1083*	7491*	43*	25
3000 Lumens Artist	1490*	10,310*	40*	37
1500 Lumens Designer	793*	5489*	47*	17
2100 Lumens Designer	1072*	7417*	51*	21
3000 Lumens Designer	1512*	10,458*	50*	30
3500 Lumens Designer	1715*	11,867*	46*	37
1500 Lumens standard & Vibrant	804*	5563*	57*	14
2100 Lumens standard & Vibrant	1072	7417	51	21
3000 Lumens standard & Vibrant	1512*	10,458*	49*	31
3500 Lumens standard & Vibrant	1747*	12,090*	53*	33
3900 Lumens standard & Vibrant	1908*	13,202*	52*	37

*estimated values

PHOTOMETRIC REPORT with 40° reflector (tested per IESNA LM-79-2008)

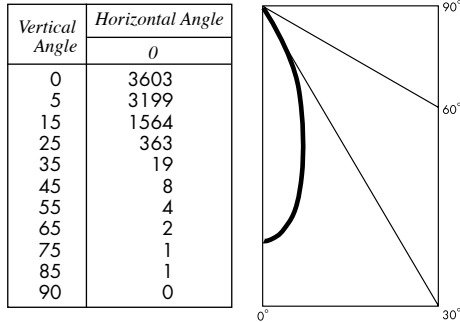
Prorated from Verification Services Report No. 1164150. Original test report furnished upon request.

Luminaire surface-mounted LED accent light with a 40° reflector and black cross-baffle (NO LENS)

Lamp Xicato XTM LED Module, 2100 lumens, 3000K

Lamp Life see above

CANDLEPOWER DISTRIBUTION (Candela)



LUMINAIRE LIGHT OUTPUT AND EFFICACY

LED Module Type	Luminaire Light Output	Luminaire CBCP	Luminaire Efficacy (lms/watt)	System Wattage
1300 Lumens Artist	576*	2270*	34*	17
2100 Lumens Artist	923*	3639*	37*	25
3000 Lumens Artist	1270*	5008*	34*	37
1500 Lumens Designer	676*	2666*	40*	17
2100 Lumens Designer	914*	3603*	44*	21
3000 Lumens Designer	1289*	5080*	43*	30
3500 Lumens Designer	1462*	5765*	40*	37
1500 Lumens standard & Vibrant	686*	2702*	49*	14
2100 Lumens standard & Vibrant	914	3603	44	21
3000 Lumens standard & Vibrant	1289*	5080*	42*	31
3500 Lumens standard & Vibrant	1490*	5873*	45*	33
3900 Lumens standard & Vibrant	1627*	6413*	44*	37

*estimated values

PHOTOMETRIC REPORT with 60° reflector (tested per IESNA LM-79-2008)

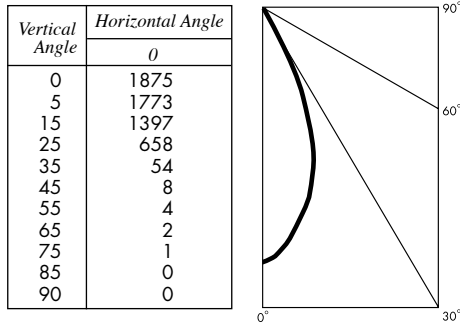
Prorated from Verification Services Report No. 1164151. Original test report furnished upon request.

Luminaire surface-mounted LED accent light with a 60° reflector and black cross-baffle (NO LENS)

Lamp Xicato XTM LED Module, 2100 lumens, 3000K

Lamp Life see above

CANDLEPOWER DISTRIBUTION (Candela)



LUMINAIRE LIGHT OUTPUT AND EFFICACY

LED Module Type	Luminaire Light Output	Luminaire CBCP	Luminaire Efficacy (lms/watt)	System Wattage
1300 Lumens Artist	575*	1181*	34*	17
2100 Lumens Artist	921*	1894*	37*	25
3000 Lumens Artist	1268*	2606*	34*	37
1500 Lumens Designer	675*	1388*	40*	17
2100 Lumens Designer	912*	1875*	43*	21
3000 Lumens Designer	1286*	2644*	43*	30
3500 Lumens Designer	1459*	3000*	39*	37
1500 Lumens standard & Vibrant	684*	1406*	49*	14
2100 Lumens standard & Vibrant	912	1875	43	21
3000 Lumens standard & Vibrant	1286*	2644*	41*	31
3500 Lumens standard & Vibrant	1487*	3056*	45*	33
3900 Lumens standard & Vibrant	1623*	3338*	44*	37

*estimated values