

Project

Type



MADE IN USA

[Click Here](#)

Date

Product Code

Designer

ARTIMA®/3 CZS W-OBM

surface mounted LED wallwasher



Artima/3 CZS W-OBM is a wallwasher designed for mounting on a 4" octagonal outlet box. Luminaire is powered by one of a number of Citizen chip-on-board LED modules. See tables below for wattages and efficacies.

- The optical assembly consists of an aluminum reflector and a 40° x 70° spread lens. In addition, the assembly accepts one of a number of optional [Optical Accessories](#) including color filters and screens. Assembly is keyed relative to luminaire housing, to retain critical lens orientation.
- Horizontal and vertical adjustment can be locked by tightening two collar clamps using a 3/32" hex key.
- For more information, [click here](#).

PRODUCT CODE

For complete product code, list basic unit and select one item from each following box.

Basic Unit A3-CZS2-OB-W

Finish

- white: white paint, white lead cord, matte aluminum heat sink - WH
- black: black paint, black lead cord, black heat sink - BL
- Industrial Silver: silver paint, black lead cord, black heat sink - SI
- custom color: include paint number or physical chip with order and select one from below
 - white lead cord, matte aluminum heat sink - CCW
 - black lead cord, black heat sink; black switch - CCB
 - any other combinations require a special order

Driver

- dimmable to 1% by a 0-10V dimmer on 120 or 277-volt service - DMV
 - dimmable to 5% by either an incandescent or ELV dimmer; 120-volt service only - DMP
 - dimmable to 1% by a 2-wire Lutron compatible dimmer - DMHLU
 - dimmable to 1% SoftOn/FadeToBlack by a Lutron EcoSystem control - ECO-LU
 - eldoLED 0-10V (Logarithmic) driver dimmable to 0.1% with a 0-10V dimmer on 120 or 277-volt service - DVOELG
 - eldoLED 0-10V (Linear) driver dimmable to 0.1% with a 0-10V dimmer on 120 or 277-volt service - DVOELN
 - eldoLED driver dimmable to 0.1%, compatible with Dali control system - DAO-EL
 - Moons' driver dimmable to 0.1% by DMX controllers - DXO-MN
- Dimmable wirelessly, see [Artima/3 CZS W-OBM Bluetooth](#)

Light Source Output (Lumens)

- 1500 lumens / 97 CRI 2700K, 3000K & 4000K only - L15A
- 2100 lumens 2700K, 3000K & 4000K only - L21A
- 2800 lumens 2700K, 3000K & 4000K only - L28A
- 3000 lumens 2700K, 3000K & 4000K only - L30A
- 1700 lumens / 90+ CRI 2700K & 3000K only - L17H
- 2300 lumens 2700K & 3000K only - L23H
- 3100 lumens 2700K & 3000K only - L31H
- 3400 lumens 2700K & 3000K only - L34H
- 1900 lumens / 80 CRI - L19S
- 2700 lumens - L27S
- 3600 lumens - L36S
- 4000 lumens - L40S

Light Color

- 2700 K - 27K
- 3000 K - 30K
- 3500 K not available in 90+CRI or 97 CRI (see above) - 35K
- 4000 K not available in 90+CRI (see above) - 40K
- 5000 K not available in 90+CRI or 97 CRI (see above) - 50K

OPTICAL ACCESSORIES ▼ See next page



41-50 22ND STREET, LIC NY 11101 TEL 718.685.0700 FAX 718.786.8530 www.epl.com

©Copyright, Edison Price Lighting 2019

LED 0-243.5 11:19

Artima is a registered trademark of Edison Price Lighting.

OPTICAL ACCESSORIES

Specify as separate line items.

All are 2 3/4" (70mm) dia. Lenses and filters are glass; screens are aluminum.

40° x 70° spread lens (included with fixture) LENS/2.75-4070

color filters

Daylight Blue DAY/2.75

Surprise Pink PNK/2.75

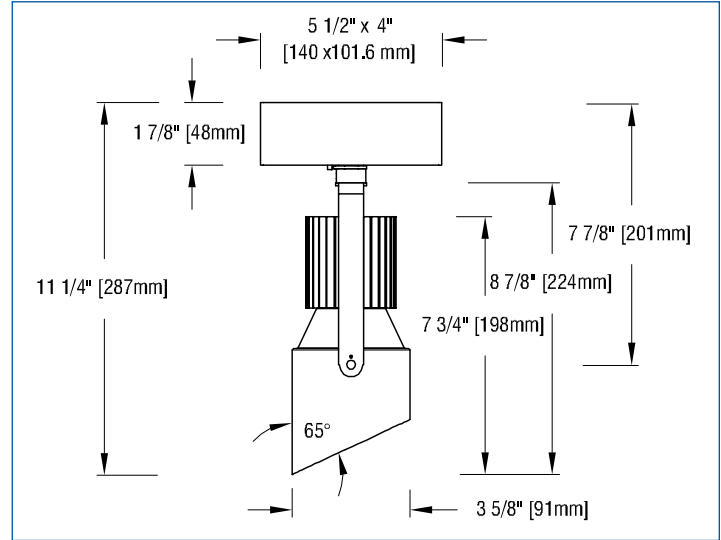
blue BLU/2.75

green GRN/2.75

red RED/2.75

33% light reduction screen SCR33/2.75

50% light reduction screen SCR50/2.75



APPLICATIONS

Luminaire is suitable for highlighting vertical surfaces in museums, galleries, showrooms, residences, offices and stores.

Luminaire is listed for Damp Location mounting on a standard 4" octagonal outlet box (by others).

STANDARD DRIVER INFORMATION (UL Class 2, dry and damp location)

Voltage	120	277
Input Watts (L15A/21A/28A/L30A/L17H/L23H/L31H/L34H/L19S/L27S/L36S/L40S lumens)	14/19/27/32	14/19/27/32
Input Current(A) (L15A/21A/28A/L30A/L17H/L23H/L31H/L34H/L19S/L27S/L36S/L40S lumens)	.12/.16/.23/.27	.05/.07/.10/.12
Output Current (mA)	350-800	350-800
Min. Power Factor	0.90	0.90
Operating Temperature Range (F)	-13 to 122	-13 to 122

LIGHT OUTPUT MULTIPLIER

LED Module Type	Light Output Multiplier
1500 Lumens 97 CRI (L15A)	0.37*
2100 Lumens 97 CRI (L21A)	0.51*
2800 Lumens 97 CRI (L28A)	0.69*
3000 Lumens 97 CRI (L30A)	0.77*
1700 Lumens 90 CRI (L17H)	0.42*
2300 Lumens 90 CRI (L23H)	0.58*
3100 Lumens 90 CRI (L31H)	0.77*
3400 Lumens 90CRI (L34H)	0.86*
1900 Lumens 80 CRI (L19S)	0.49*
2700 Lumens 80 CRI (L27S)	0.68*
3600 Lumens 80 CRI (L36S)	0.91*
4000 Lumens 80 CRI (L40S)	1

*estimated values

LED CCT MULTIPLIERS

2700K	.96
3000K	1
3500K	1.02
4000K	1.03
5000K	1.04

– photometrics continued below –



PHOTOMETRIC REPORT (tested per IESNA LM-79-2008)

Verification Services Report No. 12713115.09. Original test report furnished upon request.

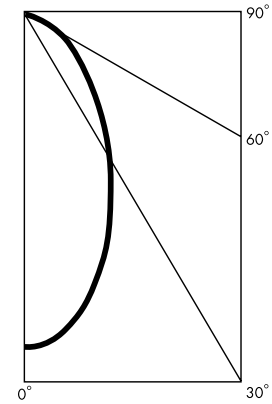
Luminaire surface-mounted LED wallwasher with a 56° internal reflector, a 40° x 70° spread lens and a specular hammer tone kicker reflector.
 Lamp Citizen LED Module, 4000 lumens, 3000K
 Lamp Life rated 50.000 hours based on L70/B50 criteria. LM80 report by LED manufacturer furnished upon request

WALLWASH INFORMATION

Distance From Ceiling (Feet)	3' From Wall; 3' O.C. (4000 lumens)		3' 6" From Wall; 3' 6" O.C. (4000 lumens)		4' From Wall; 4' O.C. (4000 lumens)	
	Below Fixture	Between Fixtures	Below Fixture	Between Fixtures	Below Fixture	Between Fixtures
1	21	19	15	13	21	19
2	27	26	19	18	28	26
3	30	28	22	20	31	30
4	27	27	21	21	32	31
5	22	22	19	19	30	31
6	18	17	16	15	27	27
7	14	14	13	13	23	22
8	11	11	11	10	19	19
9	9	9	8	8	16	16
10	7	7	7	7	13	13
11	6	6	6	6	11	11
12	5	5	5	5	9	9
13					8	8
14					7	7
15					6	6

This table lists initial illuminance values at the center of a row of at least 5 fixtures with no contribution from ceiling or floor reflectance. Fixtures were modeled with maximum candlepower at 10° to 15° above vertical.

CANDLEPOWER DISTRIBUTION



LUMINAIRE LIGHT OUTPUT AND EFFICACY

LED Module Type	Luminaire Light Output	Luminaire Efficacy (lms/watt)	System Wattage
1500 Lumens 97 CRI (L15A)	673*	48*	14
2100 Lumens 97 CRI (L21A)	928*	49*	19
2800 Lumens 97 CRI (L28A)	1255*	46*	27
3000 Lumens 97 CRI (L30A)	1401*	44*	32
1700 Lumens 90 CRI (L17H)	764*	55*	14
2300 Lumens 90 CRI (L23H)	1055*	56*	19
3100 Lumens 90 CRI (L31H)	1401*	52*	27
3400 Lumens 90CRI (L34H)	1564*	49*	32
1900 Lumens 80 CRI (L19S)	891*	64*	14
2700 Lumens 80 CRI (L27S)	1237*	65*	19
3600 Lumens 80 CRI (L36S)	1655*	61*	27
4000 Lumens 80 CRI (L40S)	1819	56	32

*estimated values