

Project

Type



Date

Product Code

Designer

# ARTIMA®/3 VNSP-OBM

surface mounted LED very narrow spotlight



Artima/3 VNSP-OBM with Ring Baffle (OG)

Artima/3 VNSP-OBM with Open Aperture (OH)

Artima/3 VNSP-OBM is a spotlight capable of 7° or 14° beam spreads, designed for mounting on a 4" octagonal outlet box. Luminaire is powered by one of a number of Cree chip-on-board LED modules. See tables below for wattages and efficacies.

- **Fixture function can be changed with your choice of Quick Change Cartridge** – which can be removed from the fixture easily – and your choice of ‘twist and lock’ [reflector](#).
- **Quick Change Cartridge / Reflector choices**
  - **Quick Change Cartridge with a cross baffle (OG)** for enhanced glare control; for use with a 7° or 14° reflector.
  - **Quick Change Cartridge with an open aperture (OH)** for maximum efficacy; for use with a 7° or 14° reflector.
- **Fixture is ordered with a single Quick Change Cartridge and a single reflector.** Additional Quick Change Cartridges and reflectors may be ordered as accessories.
- **Optical Accessories:** Each Quick Change Cartridge accepts one or two of a number of spread lenses, color filters and screens. A complimentary beam smoother is included.
- **Horizontal and vertical adjustment can be locked** by tightening two collar clamps using a 3/32" hex key.
- **For more information, [click here](#).**

## PRODUCT CODE

For complete product code, list basic unit and select one item from each following box.

**Basic Unit** ..... A3-CLT-OB

**Quick Change Cartridge**

Ring Baffle ..... - OG

Open Aperture ..... - OH

**Reflector** (specify one to ship with fixture)

7° very narrow spot ..... - 7D

14° narrow spot ..... - 14D

**Driver**

dimmable to 1% by a 0-10V dimmer on 120 or 277-volt service ..... - DMV

dimmable to 5% by either an incandescent or ELV dimmer; 120-volt service only ..... - DMP

dimmable to 1% by a Lutron (2-wire) incandescent dimmer ..... - DM-LU

dimmable to 1% by a Lutron EcoSystem control ..... - ECO-LU

eldoLED 0-10V (Logarithmic) driver dimmable to 0.1% with a 0-10V dimmer on 120 or 277-volt service..... - DVOELG

eldoLED 0-10V (Linear) driver dimmable to 0.1% with a 0-10V dimmer on 120 or 277-volt service ..... - DVOELN

eldoLED driver dimmable to 0.1%, compatible with Dali control system ..... - DAO-EL

Moons' driver dimmable to 0.1% by DMX controllers ..... - DXO-MN

**Light Source Output (Lumens)**

900 lumens / 98 CRI .....2700K & 3000K only..... - L09A

1200 lumens.....2700K & 3000K only..... - L12A

1600 lumens.....2700K & 3000K only..... - L16A

1200 lumens / 80+ CRI..... - L12S

1500 lumens..... - L15S

2200 lumens..... - L22S

**Light Color**

2700 K ..... - 27K

3000 K ..... - 30K

3500 K ..... *not available in 98 CRI (see above)* ..... - 35K

4000 K ..... *not available in 98 CRI (see above)* ..... - 40K

5000 K ..... *not available in 98 CRI (see above)* ..... - 50K

**Finish**

white: white paint, white lead cord, matte aluminum heat sink ..... - WH

black: black paint, black lead cord, black heat sink ..... - BL

Industrial Silver: silver paint, black lead cord, black heat sink ..... - SI

custom color: include paint number or physical chip with order and select one from below

- white lead cord, matte aluminum heat sink ..... - CCW
- black lead cord, black heat sink ..... - CCB
- any other combinations require a special order

## EXTRA REFLECTORS & CARTRIDGES

Specify as separate line items.

**Reflector**

7° very narrow spot reflector ..... CLT-REF-7D

14° narrow spot reflector ..... CLT-REF-14D

**Quick Change Cartridge**

Ring Baffle ..... RK-A3-CLT+OG

Open Aperture ..... RK-A3-CLT+OH

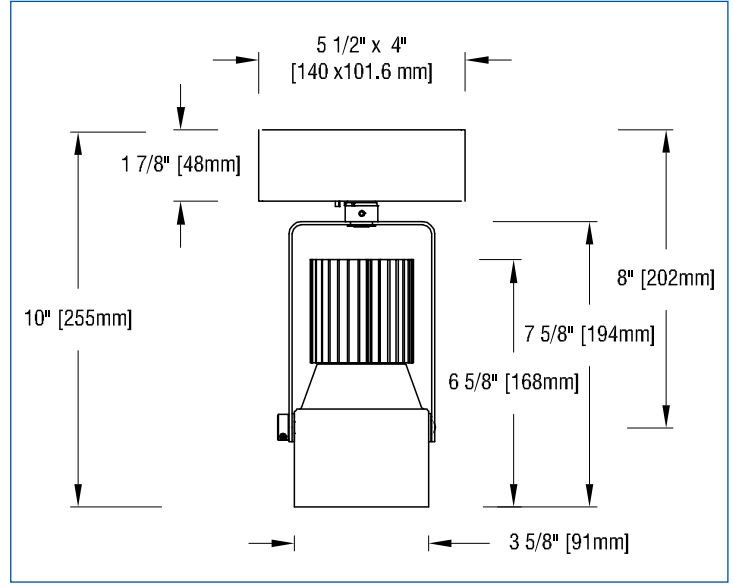
**OPTICAL ACCESSORIES** ▼ See next page  
EDISON PRICE LIGHTING

## OPTICAL ACCESSORIES

Specify as separate line items.

All are 2 3/4" (70mm) dia. Lenses and filters are glass; screens are aluminum.

<b>diffuse glass</b> .....	DGS/2.75
<b>prismatic lens</b> (Solite) .....	PLS/2.75
<b>55° spread lens</b> .....	LENS/2.75
<b>40° x 70° spread lens</b> .....	LENS/2.75-4070
<b>color filters</b>	
Daylight Blue .....	DAY/2.75
Surprise Pink .....	PNK/2.75
blue .....	BLU/2.75
green .....	GRN/2.75
red .....	RED/2.75
<b>33% light reduction screen</b> .....	SCR33/2.75
<b>50% light reduction screen</b> .....	SCR50/2.75



## APPLICATIONS

Luminaire is suitable for highlighting vertical or horizontal surfaces, as well as objects in museums, galleries, showrooms, residences, offices and stores.

Luminaire is listed for mounting on a standard 4" octagonal outlet box (by others).

## STANDARD DRIVER INFORMATION (UL Class 2, dry and damp location)

Voltage	120	277
Input Watts (L09A/L12A/16A/L12S/L15S/L22S lumens)	10/14/19	10/14/19
Input Current(A) (L09A/L12A/16A/L12S/L15S/L22S lumens)	.08/.12/.16	.04/.05/.07
Output Current (mA)	250-550	250-550
Min. Power Factor	0.90	0.90
Operating Temperature Range (F)	-13 to 122	-13 to 122

## LIGHT OUTPUT MULTIPLIER

LED Module Type	Light Output Multiplier
L22S	1
L15S	0.71*
L12S	0.54*
L16A	0.75*
L12A	0.53*
L09A	0.41*

\*estimated values

– photometrics continued below –



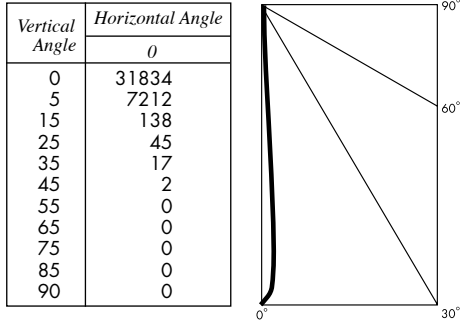
## PHOTOMETRIC REPORT with 7° reflector (tested per IESNA LM-79-2008)



**LT** Leading Testing Laboratories Report No. UT19030004-02a-R1. Original test report furnished upon request.

Luminaire ..... surface-mounted LED accent light with 7° reflector and black ring baffle (NO LENS)  
 Lamp ..... Cree LED Module, 2200 lumens, 3000K  
 Lamp Life ..... Rated 50,000 hours based on L70/B50 criteria. LM80 report by LED manufacturer furnished upon request

### CANDLEPOWER DISTRIBUTION (Candela)



### LUMINAIRE LIGHT OUTPUT AND EFFICACY

LED Module Type	Luminaire Light Output	Luminaire CBCP	Luminaire Efficacy (lms/watt)	System Wattage
L22S	729	31834	38	19
L15S	518*	22602*	37*	14
L12S	394*	17190*	39*	10
L16A	547*	23876*	29*	19
L12A	386*	16872*	28*	14
L09A	299*	13052*	30*	10

\*estimated values

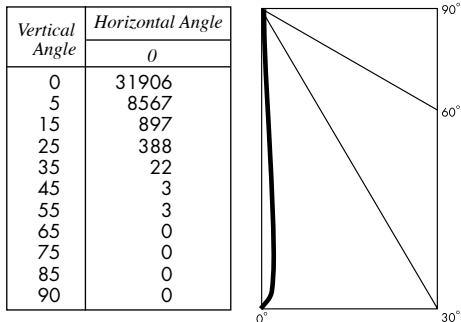
## PHOTOMETRIC REPORT with 7° reflector (tested per IESNA LM-79-2008)



**LT** Leading Testing Laboratories Report No. UT19030004-01a-R1. Original test report furnished upon request.

Luminaire ..... surface-mounted LED accent light with 7° reflector and black lens holder (NO LENS)  
 Lamp ..... Cree LED Module, 2200 lumens, 3000K  
 Lamp Life ..... Rated 50,000 hours based on L70/B50 criteria. LM80 report by LED manufacturer furnished upon request

### CANDLEPOWER DISTRIBUTION (Candela)



### LUMINAIRE LIGHT OUTPUT AND EFFICACY

LED Module Type	Luminaire Light Output	Luminaire CBCP	Luminaire Efficacy (lms/watt)	System Wattage
L22S	1234	31906	64	19
L15S	876*	22653*	63*	14
L12S	666*	17229*	67*	10
L16A	926*	23930*	49*	19
L12A	654*	16910*	47*	14
L09A	506*	13081*	51*	10

\*estimated values

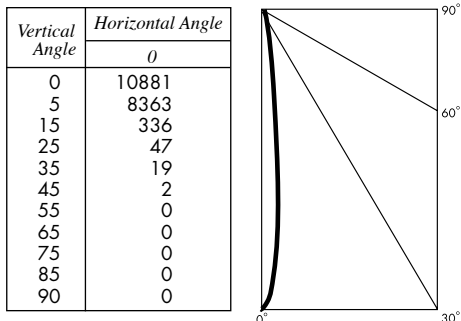
## PHOTOMETRIC REPORT with 14° reflector (tested per IESNA LM-79-2008)



**LT** Leading Testing Laboratories Report No. UT19030004-04a-R1. Original test report furnished upon request.

Luminaire ..... surface-mounted LED accent light with 14° reflector and black ring baffle (NO LENS)  
 Lamp ..... Cree LED Module, 2200 lumens, 3000K  
 Lamp Life ..... Rated 50,000 hours based on L70/B50 criteria. LM80 report by LED manufacturer furnished upon request

### CANDLEPOWER DISTRIBUTION (Candela)



### LUMINAIRE LIGHT OUTPUT AND EFFICACY

LED Module Type	Luminaire Light Output	Luminaire CBCP	Luminaire Efficacy (lms/watt)	System Wattage
L22S	719	10881	38	19
L15S	510*	7726*	36*	14
L12S	388*	5876*	39*	10
L16A	539*	8161*	28*	19
L12A	381*	5767*	27*	14
L09A	295*	4461*	29*	10

\*estimated values

## PHOTOMETRIC REPORT with 14° reflector (tested per IESNA LM-79-2008)



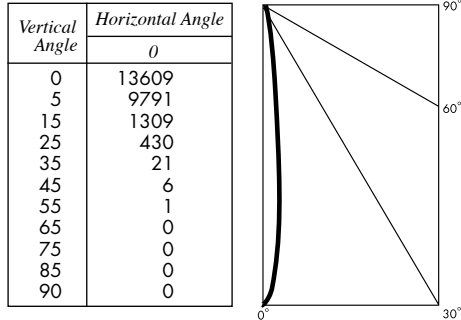
Leading Testing Laboratories Report No. UT19030004-03a-R1. Original test report furnished upon request.

Luminaire ..... surface-mounted LED accent light with 14° reflector and black lens holder (NO LENS)

Lamp ..... Cree LED Module, 2200 lumens, 3000K

Lamp Life ..... Rated 50,000 hours based on L70/B50 criteria. LM80 report by LED manufacturer furnished upon request

### CANDLEPOWER DISTRIBUTION (Candela)



### LUMINAIRE LIGHT OUTPUT AND EFFICACY

LED Module Type	Luminaire Light Output	Luminaire CBCP	Luminaire Efficacy (lms/watt)	System Wattage
L22S	1277	13609	67	19
L15S	907*	9662*	65*	14
L12S	690*	7349*	69*	10
L16A	958*	10207*	50*	19
L12A	677*	7213*	48*	14
L09A	524*	5580*	52*	10

\*estimated values