

ARTIMA[®]/3 VNSP-OBM

surface mounted LED very narrow spotlight



Artima/3 VNSP-OBM is a spotlight capable of 7° or 14° beam spreads, designed for mounting on a 4" octagonal outlet box. Luminaire is powered by one of a number of Cree chip-on-board LED modules. See tables below for wattages and efficacies.

- **Fixture function can be changed with your choice of Quick Change Cartridge** – which can be removed from the fixture easily – and your choice of ‘twist and lock’ [reflector](#).
- **Quick Change Cartridge / Reflector choices**
 - **Quick Change Cartridge with a ring baffle (OG)** for enhanced glare control; for use with a 7° or 14° reflector.
 - **Quick Change Cartridge with an open aperture (OH)** for maximum efficacy; for use with a 7° or 14° reflector.
- **Fixture is ordered with a single Quick Change Cartridge and a single reflector.** Additional Quick Change Cartridges and reflectors may be ordered as accessories.
- **Optical Accessories:** Each Quick Change Cartridge accepts one or two of a number of spread lenses, color filters and screens. A complimentary beam smoother is included.
- **Horizontal and vertical adjustment can be locked** by tightening two collar clamps using a 3/32" hex key.
- **For more information, [click here](#).**

PRODUCT CODE

For complete product code, list basic unit and select one item from each following box.

Basic Unit	A3-CLT-OB
Quick Change Cartridge	
Ring Baffle	- OG
Open Aperture	- OH
Reflector (specify one to ship with fixture)	
7° very narrow spot	- 7D
14° narrow spot	- 14D
Driver	
dimmable to 1% by a 0-10V dimmer on 120 or 277-volt service	- DMV
dimmable to 5% by either an incandescent or ELV dimmer; 120-volt service only	- DMP
dimmable to 1% by a 2-wire Lutron compatible dimmer	- DMHLU
dimmable to 1% SoftOn/FadeToBlack by a Lutron EcoSystem control	- ECO-LU
eldoLED 0-10V (Logarithmic) driver dimmable to 0.1% with a 0-10V dimmer on 120 or 277-volt service	- DVOELG
eldoLED 0-10V (Linear) driver dimmable to 0.1% with a 0-10V dimmer on 120 or 277-volt service	- DVOELN
eldoLED driver dimmable to 0.1%, compatible with Dali control system	- DAO-EL
Moons' driver dimmable to 0.1% by DMX controllers	- DXO-MN
Dimmable wirelessly, see Artima/3 VNSP-OBM Bluetooth	

Light Source Output (Lumens)	
900 lumens / 98 CRI	2700K & 3000K only..... - L09A
1200 lumens	2700K & 3000K only..... - L12A
1600 lumens	2700K & 3000K only..... - L16A
1200 lumens / 80+ CRI	- L12S
1500 lumens	- L15S
2200 lumens	- L22S

Light Color	
2700 K	- 27K
3000 K	- 30K
3500 K	<i>not available in 98 CRI (see above)</i> - 35K
4000 K	<i>not available in 98 CRI (see above)</i> - 40K
5000 K	<i>not available in 98 CRI (see above)</i> - 50K

Finish	
white: white paint, white lead cord, matte aluminum heat sink	- WH
black: black paint, black lead cord, black heat sink	- BL
Industrial Silver: silver paint, black lead cord, black heat sink	- SI
custom color: include paint number or physical chip with order and select one from below	
• white lead cord, matte aluminum heat sink	- CCW
• black lead cord, black heat sink	- CCB
• any other combinations require a special order	

EXTRA REFLECTORS & CARTRIDGES

Specify as separate line items.

Reflector	
7° very narrow spot reflector	CLT-REF-7D
14° narrow spot reflector	CLT-REF-14D

Quick Change Cartridge	
Ring Baffle	RK-A3-CLT+OG
Open Aperture	RK-A3-CLT+OH

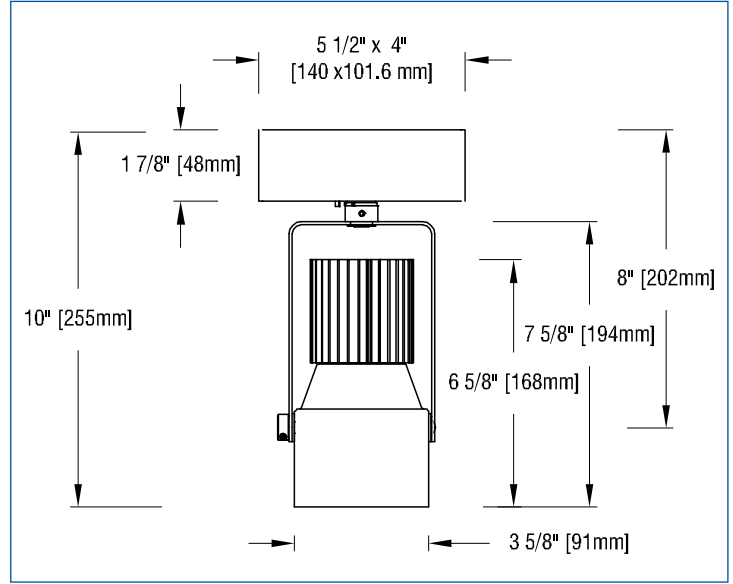
OPTICAL ACCESSORIES ▼ See next page

OPTICAL ACCESSORIES

Specify as separate line items.

All are 2 3/4" (70mm) dia. Lenses and filters are glass; screens are aluminum.

diffuse glass	DGS/2.75
prismatic lens (Solite)	PLS/2.75
55° spread lens	LENS/2.75
40° x 70° spread lens	LENS/2.75-4070
color filters	
Daylight Blue	DAY/2.75
Surprise Pink	PNK/2.75
blue	BLU/2.75
green	GRN/2.75
red	RED/2.75
33% light reduction screen	SCR33/2.75
50% light reduction screen	SCR50/2.75



APPLICATIONS

Luminaire is suitable for highlighting vertical or horizontal surfaces, as well as objects in museums, galleries, showrooms, residences, offices and stores.

Luminaire is listed for mounting on a standard 4" octagonal outlet box (by others).

STANDARD DRIVER INFORMATION (UL Class 2, dry and damp location)

Voltage	120	277
Input Watts (L09A/L12A/16A/L12S/L15S/L22S lumens)	10/14/19	10/14/19
Input Current(A) (L09A/L12A/16A/L12S/L15S/L22S lumens)	.08/.12/.16	.04/.05/.07
Output Current (mA)	250-550	250-550
Min. Power Factor	0.90	0.90
Operating Temperature Range (F)	-13 to 122	-13 to 122

LIGHT OUTPUT MULTIPLIER

LED Module Type	Light Output Multiplier
L22S	1
L15S	0.71*
L12S	0.54*
L16A	0.75*
L12A	0.53*
L09A	0.41*

*estimated values

– photometrics continued below –



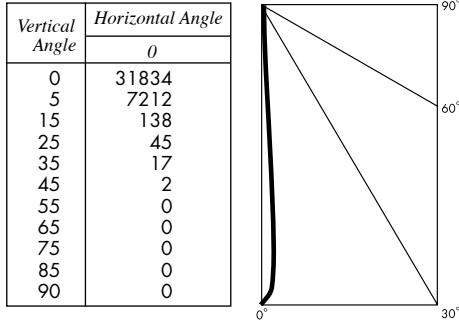
PHOTOMETRIC REPORT with 7° reflector (tested per IESNA LM-79-2008)



LT Leading Testing Laboratories Report No. UT19030004-02a-R1. Original test report furnished upon request.

Luminaire surface-mounted LED accent light with 7° reflector and black ring baffle (NO LENS)
 Lamp Cree LED Module, 2200 lumens, 3000K
 Lamp Life Rated 50,000 hours based on L70/B50 criteria. LM80 report by LED manufacturer furnished upon request

CANDLEPOWER DISTRIBUTION



LUMINAIRE LIGHT OUTPUT AND EFFICACY

LED Module Type	Luminaire Light Output	Luminaire CBCP	Luminaire Efficacy (lms/watt)	System Wattage
L22S	729	31834	38	19
L15S	518*	22602*	37*	14
L12S	394*	17190*	39*	10
L16A	547*	23876*	29*	19
L12A	386*	16872*	28*	14
L09A	299*	13052*	30*	10

*estimated values

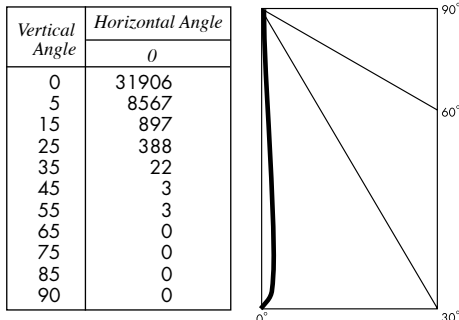
PHOTOMETRIC REPORT with 7° reflector (tested per IESNA LM-79-2008)



LT Leading Testing Laboratories Report No. UT19030004-01a-R1. Original test report furnished upon request.

Luminaire surface-mounted LED accent light with 7° reflector and black lens holder (NO LENS)
 Lamp Cree LED Module, 2200 lumens, 3000K
 Lamp Life Rated 50,000 hours based on L70/B50 criteria. LM80 report by LED manufacturer furnished upon request

CANDLEPOWER DISTRIBUTION



LUMINAIRE LIGHT OUTPUT AND EFFICACY

LED Module Type	Luminaire Light Output	Luminaire CBCP	Luminaire Efficacy (lms/watt)	System Wattage
L22S	1234	31906	64	19
L15S	876*	22653*	63*	14
L12S	666*	17229*	67*	10
L16A	926*	23930*	49*	19
L12A	654*	16910*	47*	14
L09A	506*	13081*	51*	10

*estimated values

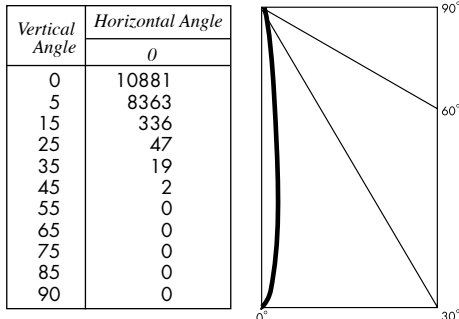
PHOTOMETRIC REPORT with 14° reflector (tested per IESNA LM-79-2008)



LT Leading Testing Laboratories Report No. UT19030004-04a-R1. Original test report furnished upon request.

Luminaire surface-mounted LED accent light with 14° reflector and black ring baffle (NO LENS)
 Lamp Cree LED Module, 2200 lumens, 3000K
 Lamp Life Rated 50,000 hours based on L70/B50 criteria. LM80 report by LED manufacturer furnished upon request

CANDLEPOWER DISTRIBUTION



LUMINAIRE LIGHT OUTPUT AND EFFICACY

LED Module Type	Luminaire Light Output	Luminaire CBCP	Luminaire Efficacy (lms/watt)	System Wattage
L22S	719	10881	38	19
L15S	510*	7726*	36*	14
L12S	388*	5876*	39*	10
L16A	539*	8161*	28*	19
L12A	381*	5767*	27*	14
L09A	295*	4461*	29*	10

*estimated values

PHOTOMETRIC REPORT with 14° reflector (tested per IESNA LM-79-2008)



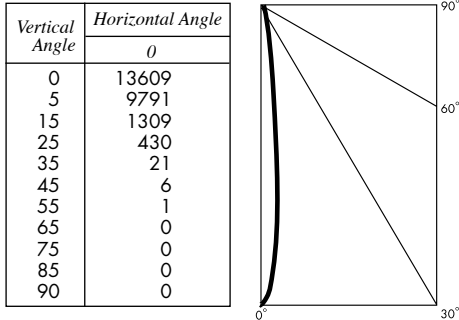
Leading Testing Laboratories Report No. UT19030004-03a-R1. Original test report furnished upon request.

Luminaire surface-mounted LED accent light with 14° reflector and black lens holder (NO LENS)

Lamp Cree LED Module, 2200 lumens, 3000K

Lamp Life Rated 50,000 hours based on L70/B50 criteria. LM80 report by LED manufacturer furnished upon request

CANDLEPOWER DISTRIBUTION



LUMINAIRE LIGHT OUTPUT AND EFFICACY

LED Module Type	Luminaire Light Output	Luminaire CBCP	Luminaire Efficacy (lms/watt)	System Wattage
L22S	1277	13609	67	19
L15S	907*	9662*	65*	14
L12S	690*	7349*	69*	10
L16A	958*	10207*	50*	19
L12A	677*	7213*	48*	14
L09A	524*	5580*	52*	10

*estimated values