

Project

Type



Date

Product Code

Designer

# ARTIMA®/3 VNSP-OBM BLUETOOTH

surface mounted addressable LED very narrow spotlight



Artima/3 VNSP-OBM Bluetooth with Ring Baffle (OG)

Artima/3 VNSP-OBM Bluetooth with Open Aperture (OH)

Artima/3 VNSP-OBM Bluetooth is a spotlight capable of 7° or 14° beam spreads, designed for mounting on a 4" octagonal outlet box. Luminaire is powered by one of a number of Cree chip-on-board LED modules. See tables below for wattages and efficacies.

- Luminaire is equipped with a Xicato Bluetooth Low Energy Intelligent Driver, controllable via a smart device with iOS or Windows based apps. Features include
  - standard Bluetooth Wireless connectivity
  - addressable individually
  - on/off control
  - dimming to 0.1%
  - data collection and storage for operating history
  - direct listening to switches and sensors
  - embedded Eddystone, iBeacon and/or AltBeacon beacons
- Fixture function can be changed with your choice of Quick Change Cartridge – which can be removed from the fixture easily – and your choice of ‘twist and lock’ reflector.
- Quick Change Cartridge / Reflector choices
  - Quick Change Cartridge with a cross baffle (OG) for enhanced glare control; for use with a 7° or 14° reflector.
  - Quick Change Cartridge with an open aperture (OH) for maximum efficacy; for use with a 7° or 14° reflector.
- Fixture is provided with a single Quick Change Cartridge and a single reflector. Additional Quick Change Cartridges and reflectors may be ordered as accessories.
- Optical Accessories: Each Quick Change Cartridge accepts one or two of a number of spread lenses, color filters and screens. A complimentary beam smoother is included.
- Horizontal and vertical adjustment can be locked by tightening two collar clamps using a 3/32" hex key.
- For more information, [click here](#).

### USB Key

To address this fixture from a Windows-based PC, laptop or tablet, a USB key (dongle) is required. Contact factory for USB key.

## PRODUCT CODE

For complete product code, list basic unit and select one item from each following box.

Basic Unit .....	A3-CLT-XID-OB
<b>Quick Change Cartridge</b>	
Ring Baffle .....	- OG
Open Aperture .....	- OH
<b>Reflector (specify one to ship with fixture)</b>	
7° very narrow spot .....	- 7D
14° narrow spot .....	- 14D
<b>Light Source Output (Lumens)</b>	
1200 lumens / 98 CRI.....not available with 5000K .....	- L12A
1600 lumens.....not available with 5000K .....	- L16A
1500 lumens / 80+ CRI.....	- L15S
2200 lumens.....	- L22S
<b>Light Color</b>	
2700 K .....	- 27K
3000 K .....	- 30K
3500 K .....	- 35K
4000 K .....	- 40K
5000 K ..... not available in 98 CRI (see above) .....	- 50K

<b>Finish</b>	
white: white paint, white lead cord, matte aluminum heat sink .....	- WH
black: black paint, black lead cord, black heat sink .....	- BL
Industrial Silver: silver paint, black lead cord, black heat sink .....	- SI
custom color: include paint number or physical chip with order and select one from below	
• white lead cord, matte aluminum heat sink .....	- CCW
• black lead cord, black heat sink .....	- CCB
• any other combinations require a special order	

<b>Circuit Limitations</b>	
Luminaire operates only on track circuits with <u>no</u> dimmer on the circuit	

## EXTRA REFLECTORS & CARTRIDGES

Specify as separate line items.

<b>Reflector</b>	
7° very narrow spot reflector .....	CLT-REF-7D
14° narrow spot reflector .....	CLT-REF-14D

<b>Quick Change Cartridge</b>	
Ring Baffle .....	RK-A3-CLT+OG
Open Aperture .....	RK-A3-CLT+OH

## OPTICAL ACCESSORIES ▼ See next page



## OPTICAL ACCESSORIES

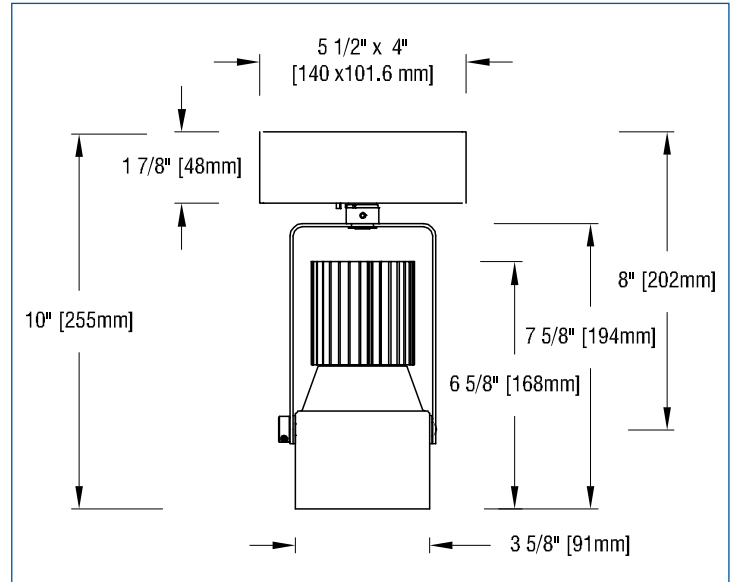
Specify as separate line items.  
All are 2 3/4" (70mm) dia.

<b>diffuse glass</b> .....	DGS/2.75
<b>prismatic lens (Solite)</b> .....	PLS/2.75
<b>55° spread lens</b> .....	LENS/2.75
<b>40° x 70° spread lens</b> .....	LENS/2.75-4070
<b>color filters</b>	
Daylight Blue .....	DAY/2.75
Surprise Pink .....	PNK/2.75
blue .....	BLU/2.75
green .....	GRN/2.75
red .....	RED/2.75
<b>33% light reduction screen</b> .....	SCR33/2.75
<b>50% light reduction screen</b> .....	SCR50/2.75

## BARN DOORS

Specify as separate line items.  
Specify with one optical accessory (not included), see above.

<b>white</b> .....	BD-A3-WH
<b>black</b> .....	BD-A3-BL
<b>silver</b> .....	BD-A3-SI
<b>custom color</b> .....	BD-A3-CC



## APPLICATIONS

Luminaire is suitable for highlighting vertical or horizontal surfaces, as well as objects in museums, galleries, showrooms, residences, offices and stores.

Luminaire is listed for mounting on a standard 4" octagonal outlet box (by others).

### STANDARD DRIVER INFORMATION (UL Class 2, dry and damp location)

Voltage	120	277
Input Watts (L12A/16A/L15S/L22S lumens)	14/19	14/19
Input Current(A) (L12A/16A/L15S/L22S lumens)	.12/.16	.05/.07
Output Current (mA)	350-550	350-550
Min. Power Factor	0.90	0.90
Operating Temperature Range (F)	-13 to 122	-13 to 122

### LIGHT OUTPUT MULTIPLIER

LED Module Type	Light Output Multiplier
L22S	1
L15S	0.71*
L16A	0.75*
L12A	0.53*

\*estimated values

– photometrics continued below –



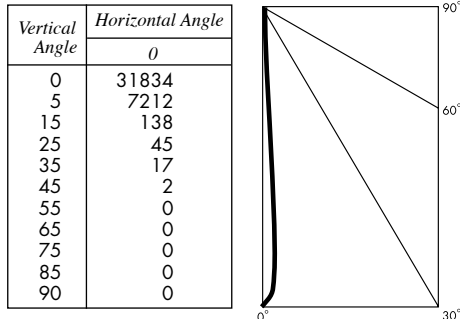
## PHOTOMETRIC REPORT with 7° reflector (tested per IESNA LM-79-2008)



**LT** Leading Testing Laboratories Report No. UT19030004-02a-R1. Original test report furnished upon request.

Luminaire ..... surface-mounted LED accent light with 7° reflector and black ring baffle (NO LENS)  
 Lamp ..... Cree LED Module, 2200 lumens, 3000K  
 Lamp Life ..... Rated 50,000 hours based on L70/B50 criteria. LM80 report by LED manufacturer furnished upon request

### CANDLEPOWER DISTRIBUTION



### LUMINAIRE LIGHT OUTPUT AND EFFICACY

LED Module Type	Luminaire Light Output	Luminaire CBCP	Luminaire Efficacy (lms/watt)	System Wattage
L22S	729	31834	38	19
L15S	518*	22602*	37*	14
L16A	547*	23876*	29*	19
L12A	386*	16872*	28*	14

\*estimated values

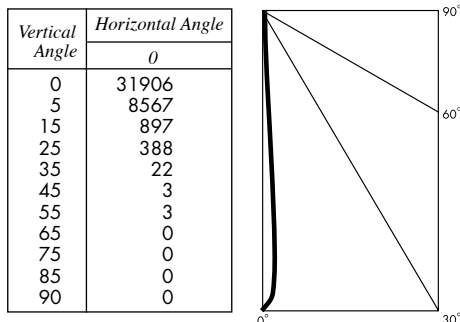
## PHOTOMETRIC REPORT with 7° reflector (tested per IESNA LM-79-2008)



**LT** Leading Testing Laboratories Report No. UT19030004-01a-R1. Original test report furnished upon request.

Luminaire ..... surface-mounted LED accent light with 7° reflector and black lens holder (NO LENS)  
 Lamp ..... Cree LED Module, 2200 lumens, 3000K  
 Lamp Life ..... Rated 50,000 hours based on L70/B50 criteria. LM80 report by LED manufacturer furnished upon request

### CANDLEPOWER DISTRIBUTION



### LUMINAIRE LIGHT OUTPUT AND EFFICACY

LED Module Type	Luminaire Light Output	Luminaire CBCP	Luminaire Efficacy (lms/watt)	System Wattage
L22S	1234	31906	64	19
L15S	876*	22653*	63*	14
L16A	926*	23930*	49*	19
L12A	654*	16910*	47*	14

\*estimated values

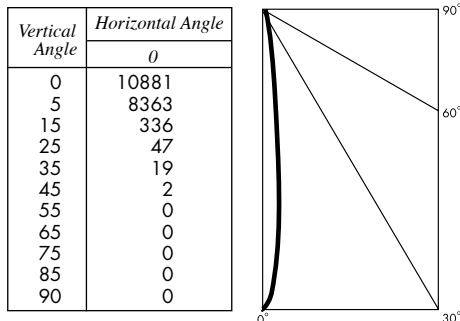
## PHOTOMETRIC REPORT with 14° reflector (tested per IESNA LM-79-2008)



**LT** Leading Testing Laboratories Report No. UT19030004-04a-R1. Original test report furnished upon request.

Luminaire ..... surface-mounted LED accent light with 14° reflector and black ring baffle (NO LENS)  
 Lamp ..... Cree LED Module, 2200 lumens, 3000K  
 Lamp Life ..... Rated 50,000 hours based on L70/B50 criteria. LM80 report by LED manufacturer furnished upon request

### CANDLEPOWER DISTRIBUTION



### LUMINAIRE LIGHT OUTPUT AND EFFICACY

LED Module Type	Luminaire Light Output	Luminaire CBCP	Luminaire Efficacy (lms/watt)	System Wattage
L22S	719	10881	38	19
L15S	510*	7726*	36*	14
L16A	539*	8161*	28*	19
L12A	381*	5767*	27*	14

\*estimated values

**PHOTOMETRIC REPORT with 14° reflector** (tested per IESNA LM-79-2008)



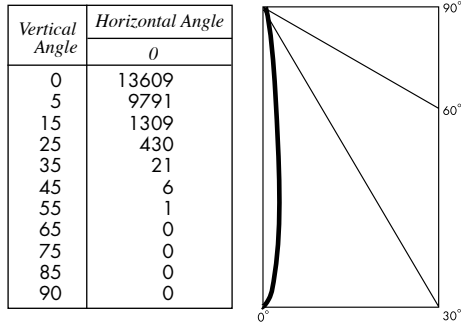
Leading Testing Laboratories Report No. UT19030004-03a-R1. Original test report furnished upon request.

Luminaire ..... surface-mounted LED accent light with 14° reflector and black lens holder (NO LENS)

Lamp ..... Cree LED Module, 2200 lumens, 3000K

Lamp Life ..... Rated 50,000 hours based on L70/B50 criteria. LM80 report by LED manufacturer furnished upon request

**CANDLEPOWER DISTRIBUTION**



**LUMINAIRE LIGHT OUTPUT AND EFFICACY**

LED Module Type	Luminaire Light Output	Luminaire CBCP	Luminaire Efficacy (lms/watt)	System Wattage
L22S	1277	13609	67	19
L15S	907*	9662*	65*	14
L16A	958*	10207*	50*	19
L12A	677*	7213*	48*	14

\*estimated values