



ARTIMA[®]/3 VN[®]SP-OBM BLUETOOTH

surface mounted addressable LED very narrow spotlight



Artima/3 VN[®]SP-OBM Bluetooth
with Ring Baffle (OG)

Artima/3 VN[®]SP-OBM Bluetooth
with Open Aperture (OH)

Artima/3 VN[®]SP-OBM Bluetooth is a spotlight capable of 7° or 14° beam spreads, designed for mounting on a 4" octagonal outlet box. Luminaire is powered by one of a number of Cree chip-on-board LED modules. See tables below for wattages and efficacies.

- Luminaire is equipped with a Xicato Bluetooth Low Energy Intelligent Driver, controllable via a smart device with iOS or Windows based apps. Features include
 - standard Bluetooth Wireless connectivity
 - addressable individually
 - on/off control
 - dimming to 0.1%
 - data collection and storage for operating history
 - direct listening to switches and sensors
 - embedded Eddystone, iBeacon and/or AltBeacon beacons
- Fixture function can be changed with your choice of Quick Change Cartridge – which can be removed from the fixture easily – and your choice of 'twist and lock' reflector.
- Quick Change Cartridge / Reflector choices
 - Quick Change Cartridge with a cross baffle (OG) for enhanced glare control; for use with a 7° or 14° reflector.
 - Quick Change Cartridge with an open aperture (OH) for maximum efficacy; for use with a 7° or 14° reflector.
- Fixture is ordered with a single Quick Change Cartridge and a single reflector. Additional Quick Change Cartridges and reflectors may be ordered as accessories.
- **Optical Accessories:** Each Quick Change Cartridge accepts one or two of a number of spread lenses, color filters and screens. A complimentary beam smoother is included.
- Horizontal and vertical adjustment can be locked by tightening two collar clamps using a 3/32" hex key.
- For more information, [click here](#).

USB Key

To address this fixture from a Windows-based PC, laptop or tablet, a USB key (dongle) is required. Contact factory for USB key.

PRODUCT CODE

For complete product code, list basic unit and select one item from each following box.

Basic UnitA3-CLT-XID-OB

Quick Change Cartridge

Ring Baffle - OG
Open Aperture - OH

Reflector (specify one to ship with fixture)

7° very narrow spot - 7D
14° narrow spot - 14D

Light Source Output (Lumens)

1200 lumens / 98 CRI2700K & 3000K only..... - L12A
1600 lumens2700K & 3000K only..... - L16A
1500 lumens / 80+ CRI..... - L15S
2200 lumens - L22S

Light Color

2700 K - 27K
3000 K - 30K
3500 K not available in 98 CRI (see above) - 35K
4000 K not available in 98 CRI (see above) - 40K
5000 K not available in 98 CRI (see above) - 50K

Finish

white: white paint, white lead cord, matte aluminum heat sink - WH
black: black paint, black lead cord, black heat sink - BL
Industrial Silver: silver paint, black lead cord, black heat sink - SI
custom color: include paint number or physical chip with order and select one from below
• white lead cord, matte aluminum heat sink - CCW
• black lead cord, black heat sink - CCB
• any other combinations require a special order

Circuit Limitations

Luminaire operates only on track circuits with no dimmer on the circuit

EXTRA REFLECTORS & CARTRIDGES

Specify as separate line items.

Reflector

7° very narrow spot reflector CLT-REF-7D
14° narrow spot reflector CLT-REF-14D

Quick Change Cartridge

Ring Baffle RK-A3-CLT+OG
Open Aperture RK-A3-CLT+OH

OPTICAL ACCESSORIES ▼ See next page

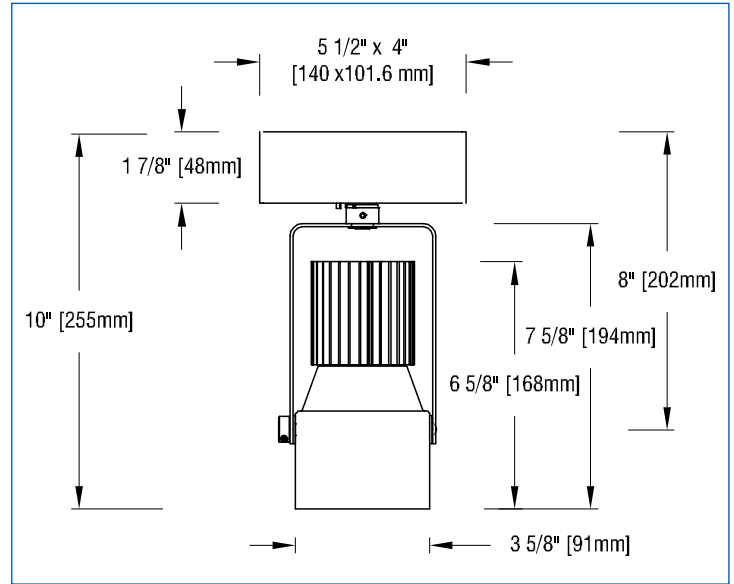


OPTICAL ACCESSORIES

Specify as separate line items.

All are 2 3/4" (70mm) dia. Lenses and filters are glass; screens are aluminum.

diffuse glass	DGS/2.75
prismatic lens (Solite)	PLS/2.75
55° spread lens	LENS/2.75
40° x 70° spread lens	LENS/2.75-4070
color filters	
Daylight Blue	DAY/2.75
Surprise Pink	PNK/2.75
blue	BLU/2.75
green	GRN/2.75
red	RED/2.75
33% light reduction screen	SCR33/2.75
50% light reduction screen	SCR50/2.75



APPLICATIONS

Luminaire is suitable for highlighting vertical or horizontal surfaces, as well as objects in museums, galleries, showrooms, residences, offices and stores.

Luminaire is listed for mounting on a standard 4" octagonal outlet box (by others).

STANDARD DRIVER INFORMATION (UL Class 2, dry and damp location)

Voltage	120	277
Input Watts (L12A/16A/L15S/L22S lumens)	14/19	14/19
Input Current(A) (L12A/16A/L15S/L22S lumens)	.12/.16	.05/.07
Output Current (mA)	350-550	350-550
Min. Power Factor	0.90	0.90
Operating Temperature Range (F)	-13 to 122	-13 to 122

LIGHT OUTPUT MULTIPLIER

LED Module Type	Light Output Multiplier
L22S	1
L15S	0.71*
L16A	0.75*
L12A	0.53*

*estimated values

– photometrics continued below –



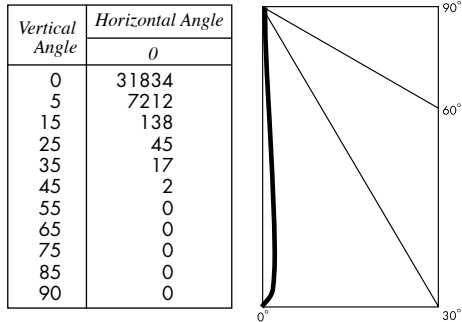
PHOTOMETRIC REPORT with 7° reflector (tested per IESNA LM-79-2008)



LT Leading Testing Laboratories Report No. UT19030004-02a-R1. Original test report furnished upon request.

Luminaire surface-mounted LED accent light with 7° reflector and black ring baffle (NO LENS)
 Lamp Cree LED Module, 2200 lumens, 3000K
 Lamp Life Rated 50,000 hours based on L70/B50 criteria. LM80 report by LED manufacturer furnished upon request

CANDLEPOWER DISTRIBUTION (Candela)



LUMINAIRE LIGHT OUTPUT AND EFFICACY

LED Module Type	Luminaire Light Output	Luminaire CBCP	Luminaire Efficacy (lms/watt)	System Wattage
L22S	729	31834	38	19
L15S	518*	22602*	37*	14
L16A	547*	23876*	29*	19
L12A	386*	16872*	28*	14

*estimated values

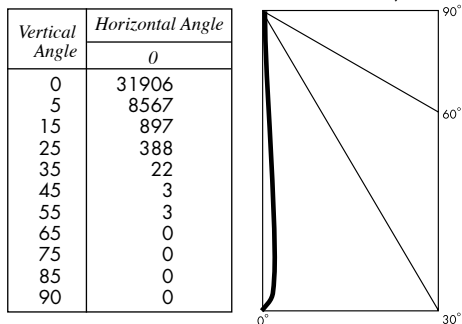
PHOTOMETRIC REPORT with 7° reflector (tested per IESNA LM-79-2008)



LT Leading Testing Laboratories Report No. UT19030004-01a-R1. Original test report furnished upon request.

Luminaire surface-mounted LED accent light with 7° reflector and black lens holder (NO LENS)
 Lamp Cree LED Module, 2200 lumens, 3000K
 Lamp Life Rated 50,000 hours based on L70/B50 criteria. LM80 report by LED manufacturer furnished upon request

CANDLEPOWER DISTRIBUTION (Candela)



LUMINAIRE LIGHT OUTPUT AND EFFICACY

LED Module Type	Luminaire Light Output	Luminaire CBCP	Luminaire Efficacy (lms/watt)	System Wattage
L22S	1234	31906	64	19
L15S	876*	22653*	63*	14
L16A	926*	23930*	49*	19
L12A	654*	16910*	47*	14

*estimated values

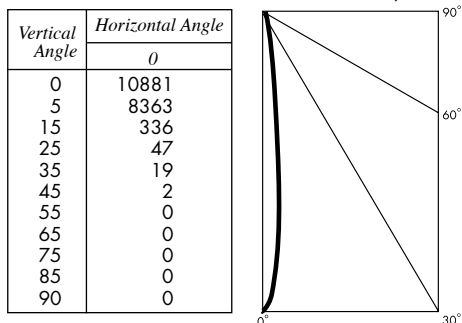
PHOTOMETRIC REPORT with 14° reflector (tested per IESNA LM-79-2008)



LT Leading Testing Laboratories Report No. UT19030004-04a-R1. Original test report furnished upon request.

Luminaire surface-mounted LED accent light with 14° reflector and black ring baffle (NO LENS)
 Lamp Cree LED Module, 2200 lumens, 3000K
 Lamp Life Rated 50,000 hours based on L70/B50 criteria. LM80 report by LED manufacturer furnished upon request

CANDLEPOWER DISTRIBUTION (Candela)



LUMINAIRE LIGHT OUTPUT AND EFFICACY

LED Module Type	Luminaire Light Output	Luminaire CBCP	Luminaire Efficacy (lms/watt)	System Wattage
L22S	719	10881	38	19
L15S	510*	7726*	36*	14
L16A	539*	8161*	28*	19
L12A	381*	5767*	27*	14

*estimated values

PHOTOMETRIC REPORT with 14° reflector (tested per IESNA LM-79-2008)



Leading Testing Laboratories Report No. UT19030004-03a-R1. Original test report furnished upon request.

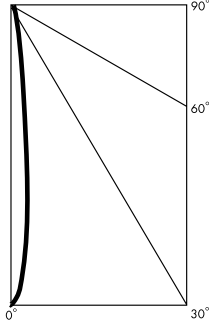
Luminaire surface-mounted LED accent light with 14° reflector and black lens holder (NO LENS)

Lamp Cree LED Module, 2200 lumens, 3000K

Lamp Life Rated 50,000 hours based on L70/B50 criteria. LM80 report by LED manufacturer furnished upon request

CANDLEPOWER DISTRIBUTION (Candela)

Vertical Angle	Horizontal Angle
	0
0	13609
5	9791
15	1309
25	430
35	21
45	6
55	1
65	0
75	0
85	0
90	0



LUMINAIRE LIGHT OUTPUT AND EFFICACY

LED Module Type	Luminaire Light Output	Luminaire CBCP	Luminaire Efficacy (lms/watt)	System Wattage
L22S	1277	13609	67	19
L15S	907*	9662*	65*	14
L16A	958*	10207*	50*	19
L12A	677*	7213*	48*	14

*estimated values