

Project

Type



Date

Product Code

Designer

IDM ARTIMA®/5 HI O-OBM

surface mounted LED cross-baffled accent light with integral dimmer



- **Luminaire is designed for mounting on a 4" octagonal outlet box** (by others).
- **Whether operated on 120-volt or 277-service, luminaire may be dimmed to 10% by an integral rotary dimmer** located on one side of the driver case. Dimmer control shaft is spring loaded, permitting shaft to be exposed for adjustment and then depressed flush with the driver case to conserve dimmer setting. 'Clock face' markings permit registration of dimmer setting. (See illustrations below.)
- **Bluetooth controls and integral rotary dimmer can be specified together in the same fixture.** Users can dim by the protocol of their choice, switching between the two options as desired.
- **Driver case measures 5 1/2" long x 4" wide x 1 7/8" high.**
- **A matte black cross-baffle assembly controls surface brightness and reduces spill light.** Lens orientation may be adjusted from below by rotating cross-baffles. The cross-baffle assembly is spring mounted but keyed relative to the fixture housing, to retain lens orientation once set.
- **Beam spread is changed by removing the cross-baffle assembly,** replacing one 'twist and lock' reflector with another, and re-inserting the cross-baffle assembly. Luminaire is ordered with a single reflector; one or both of the other reflectors may be ordered as accessories.
- **Luminaire provides 385° horizontal rotation and vertical adjustment from 0° to 90°.** Lamp focus can be locked by tightening two collar clamps using a 9/64" hex key.
- **Luminaire accepts one or two of a number of Optical Accessories,** including spread lenses, color filters and light reduction screens. A complimentary Beam Smoother is included.
- **For more information, [click here](#).**

Warranty Details

- This fixture is not suitable for use in direct sunlight, as under a skylight. Fixtures used in this way are not covered by our warranty.
- Our 5-year warranty does not include the provision of extraordinary means of access, e.g. scaffolding or Genie lifts, to service a product.

IDM Artima/5 HI O-OBM is a surface mounted accent light powered by Citizen chip-on-board LED's providing either a CRI of 97 within 2-step MacAdam ellipses or a CRI of 80 within 3-step MacAdam ellipses. See tables on the reverse for wattages and efficiencies.

PRODUCT CODE

For complete product code, list basic unit and select one item from each following box.

Basic Unit	IDM-A5-CZL2-OB-OX
Beam Spread Reflector (specify one to ship with fixture)	
15° spot	- 15D
21° narrow flood.....	- 21D
38° flood.....	- 38D
Finish	
white: white paint, white lead cord, matte aluminum heat sink	- WH
black: black paint, black lead cord, black heat sink	- BL
Industrial Silver: silver paint, black lead cord, black heat sink	- SI
custom color: include physical chip with order and select one from below	
• white lead cord, matte aluminum heat sink	- CCW
• black lead cord, black heat sink	- CCB
• any other combinations require a special order	
Light Source Output (Lumens)	
4300L / CRI 97	2700K or 3000K
5600L / CRI 80	all light colors.....
	- L43A
	- L56S
Light Color	
2700 K	- 27K
3000 K	- 30K
3500 K	not available with all Light Outputs (see above)
4000 K	not available with all Light Outputs (see above)
5000 K	not available with all Light Outputs (see above)
	- 35K
	- 40K
	- 50K
Dimming Notes:	
• Fixture may be dimmed only by its integral dimmer.	
• Fixture cannot be dimmed by a dimmer of any kind on the fixture circuit.	
• Fixture may be damaged by use of an incandescent or ELV dimmer on the fixture circuit.	
• Fixture will not be dimmed or damaged by use of a 0-10V dimmer on the fixture circuit.	
• Combination with wireless Bluetooth controls available on Bluetooth model.	

► For luminaires modified for 50A or 60A track systems, contact factory.

EXTRA REFLECTORS *Specify as separate line items.*

15° spot reflector	CZL-REF15
21° narrow flood reflector	CZL-REF21
38° flood reflector.....	CZL-REF38

OPTICAL ACCESSORIES ▼ *See next page*



41-50 22ND STREET, LIC NY 11101 TEL 718.685.0700 FAX 718.786.8530 www.epl.com

©Copyright, Edison Price Lighting 2020

Artima is a registered trademark of Edison Price Lighting.

LED 0-250.5 2:20

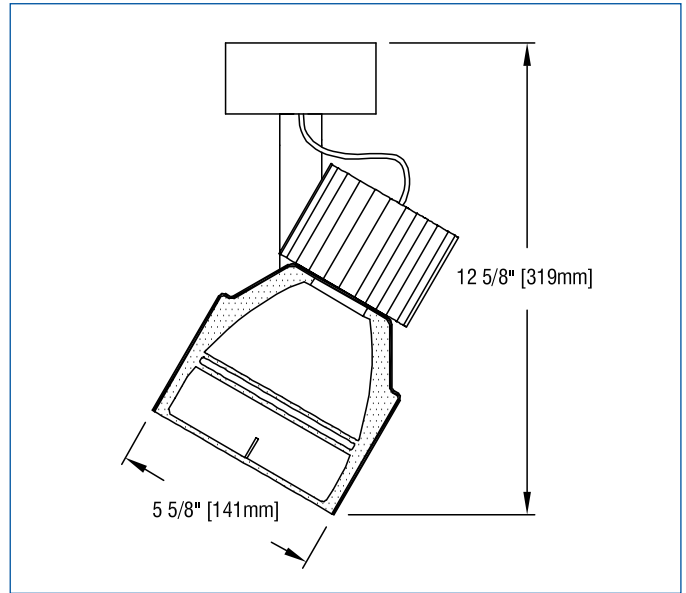
DIMMER OPERATION



OPTICAL ACCESSORIES

Specify as separate line items; only for use with one of the above.
All are 4 3/4" (121 mm) diameter. Lenses and filters are glass; screens are aluminum.

- 30° spread lens LENS/4.75-30
- 20° x 55° spread lens LENS/4.75
- 70° spread lens LENS/4.75-70
- prismatic lens (Solite) PLS/4.75
- 40° x 70° spread lens LENS/4.75-4070
- beam smoother included with fixture CLR/4.75
- color filters**
- Daylight Blue DAY/4.75
- Surprise Pink PNK/4.75
- amber AMB/4.75
- blue BLU/4.75
- green GRN/4.75
- red RED/4.75
- 33% light reduction screen SCR33/4.75
- 50% light reduction screen SCR50/4.75



BARN DOORS

Specify as separate line items.
Specify with one optical accessory (not included), see above.

- white BD-A5-WH
- black BD-A5-BL
- silver BD-A5-SI
- custom color BD-A5-CC



APPLICATIONS

Luminaire is suitable for highlighting vertical or horizontal surfaces, as well as objects in museums, galleries, showrooms, residences, offices and stores.

Luminaire is listed for mounting on a standard 4" octagonal outlet box (by others).

– see below for photometric reports –

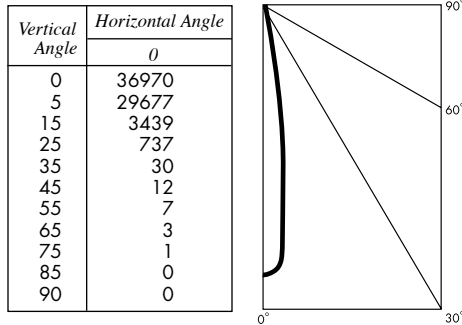


PHOTOMETRIC REPORT with 15° reflector (tested per IESNA LM-79-2008)

Prorated from Verification Services Report No. 717366. Original test report furnished upon request.

Luminaire surface-mounted LED accent light with a 15° reflector and black cross-baffle (NO LENS)
 Lamp Citizen LED, 5600 lumens, 3000K CCT
 Lamp Life rated 50,000 hours based on L70/B50 criteria. LM80 report by LED manufacturer furnished upon request

CANDLEPOWER DISTRIBUTION



LUMINAIRE LIGHT OUTPUT AND EFFICACY

LED Module Type	Luminaire Light Output	Luminaire CBCP	Luminaire Efficacy (lumens/watt)	System Wattage
5600 Lumens 80 CRI (L56S)	3579	36,970	89	40
4300 Lumens 97 CRI (L43A)	2720*	28,097*	68*	40

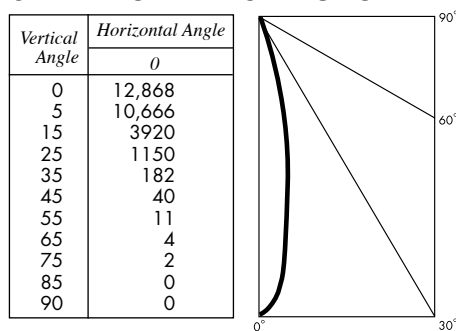
*estimated values

PHOTOMETRIC REPORT with 21° reflector (tested per IESNA LM-79-2008)

Verification Services Report No. 717365. Original test report furnished upon request.

Luminaire surface-mounted LED accent light with a 21° reflector and black cross-baffle (NO LENS)
 Lamp Citizen LED, 5600 lumens, 3000K Lamp Life..... see above

CANDLEPOWER DISTRIBUTION



LUMINAIRE LIGHT OUTPUT AND EFFICACY

LED Module Type	Luminaire Light Output	Luminaire CBCP	Luminaire Efficacy (lumens/watt)	System Wattage
5600 Lumens 80 CRI (L56S)	2742	12,868	69	40
4300 Lumens 97 CRI (L43A)	2084*	9780*	52*	40

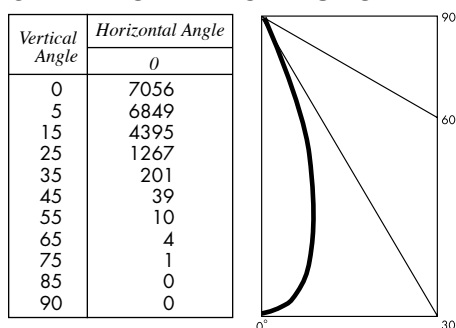
*estimated values

PHOTOMETRIC REPORT with 38° reflector (tested per IESNA LM-79-2008)

Verification Services Report No. 717367. Original test report furnished upon request.

Luminaire surface-mounted LED accent light with a 38° reflector and black cross-baffle (NO LENS)
 Lamp Citizen LED, 5600 lumens, 3000K Lamp Life..... see above

CANDLEPOWER DISTRIBUTION



LUMINAIRE LIGHT OUTPUT AND EFFICACY

LED Module Type	Luminaire Light Output	Luminaire CBCP	Luminaire Efficacy (lumens/watt)	System Wattage
5600 Lumens 80 CRI (L56S)	2642	7056	66	40
4300 Lumens 97 CRI (L43A)	2008*	5363*	50*	40

*estimated values

STANDARD DRIVER INFORMATION (UL Class 2, dry and damp location)

Voltage	120	277
Input Watts (L56S/L43A)	40/40	40/40
Input Current(A) (L56S/L43A)	.33/.33	.14/.14
Output Current (mA)	350-940	350-940
Min. Power Factor	0.90	0.90
Operating Temperature Range (F)	-4 to 122	-4 to 122

LIGHT OUTPUT MULTIPLIER

LED Module Type	Light Output Multiplier
5600 Lumens 80 CRI (L56S)	1
4300 Lumens 97 CRI (L43A)	.76*