

Project

Type



Date

Product Code

Designer

# IDM ARTIMA®/5 HI O LH-OBM

surface mounted LED open-aperture accent light with integral dimmer



IDM Artima/5 HI O LH-OBM is a surface mounted accent light powered by Citizen chip-on-board LED's providing either a CRI of 97 within 2-step MacAdam ellipses or a CRI of 80 within 3-step MacAdam ellipses. See tables on the reverse for wattages and efficiencies.

## PRODUCT CODE

For complete product code, list basic unit and select one item from each following box.

Basic Unit ..... IDM-A5-CZL2-OB-OH

Beam Spread Reflector (specify one to ship with fixture)	
15° spot.....	- 15D
21° narrow flood.....	- 21D
38° flood.....	- 38D

Finish	
white: white paint, white lead cord, matte aluminum heat sink .....	- WH
black: black paint, black lead cord, black heat sink .....	- BL
Industrial Silver: silver paint, black lead cord, black heat sink .....	- SI
custom color: include physical chip with order and select one from below	
• white lead cord, matte aluminum heat sink .....	- CCW
• black lead cord, black heat sink .....	- CCB
• any other combinations require a special order	

Light Source Output (Lumens)		
4300L / CRI 97 .....	2700K or 3000K .....	- L43A
5600L / CRI 80 .....	all light colors.....	- L56S

Light Color		
2700 K .....	- 27K	
3000 K .....	- 30K	
3500 K .....	not available with all Light Outputs (see above) .....	- 35K
4000 K .....	not available with all Light Outputs (see above) .....	- 40K
5000 K .....	not available with all Light Outputs (see above) .....	- 50K

Dimming Notes:	
• Fixture may be dimmed only by its integral dimmer.	
• Fixture cannot be dimmed by a dimmer of any kind on the fixture circuit.	
• Fixture may be damaged by use of an incandescent or ELV dimmer on the fixture circuit.	
• Fixture will not be dimmed or damaged by use of a 0-10V dimmer on the fixture circuit.	
• Combination with wireless Bluetooth controls available on <b>Bluetooth</b> model.	

► For luminaires modified for 50A or 60A track systems, contact factory.

## EXTRA REFLECTORS Specify as separate line items.

15° spot reflector .....	CZL-REF15
21° narrow flood reflector .....	CZL-REF21
38° flood reflector.....	CZL-REF38

## OPTICAL ACCESSORIES ▼ See next page

- Luminaire is designed for mounting on a 4" octagonal outlet box (by others).
- Whether operated on 120-volt or 277-service, luminaire may be dimmed to 10% by an integral rotary dimmer located on one side of the driver case. Dimmer control shaft is spring loaded, permitting shaft to be exposed for adjustment and then depressed flush with the driver case to conserve dimmer setting. 'Clock face' markings permit registration of dimmer setting. (See illustrations below.)
- Bluetooth controls and integral rotary dimmer can be specified together in the same fixture. Users can dim by the protocol of their choice, switching between the two options as desired.
- Driver case measures 5 1/2" long x 4" wide x 1 7/8" high.
- Beam spread is changed by removing the spring-mounted lens holder, replacing one 'twist and lock' reflector with another, and re-inserting the lens holder assembly. Luminaire is ordered with a single reflector; one or both of the other reflectors may be ordered as accessories.
- Luminaire provides 385° horizontal rotation and vertical adjustment from 0° to 90°. Lamp focus can be locked by tightening two collar clamps using a 9/64" hex key.
- Lens holder assembly accepts one or two of a number of **Optical Accessories** including spread lenses and color filters. Complimentary Beam Smoother is included. Note that, for enhanced efficiency, cross-baffles are not included. Lens holder assembly is spring-mounted for easy removal and adjustment.
- For more information, [click here](#).

Warranty Details	
• This fixture is not suitable for use in direct sunlight, as under a skylight. Fixtures used in this way are not covered by our warranty.	
• Our 5-year warranty does not include the provision of extraordinary means of access, e.g. scaffolding or Genie lifts, to service a product.	



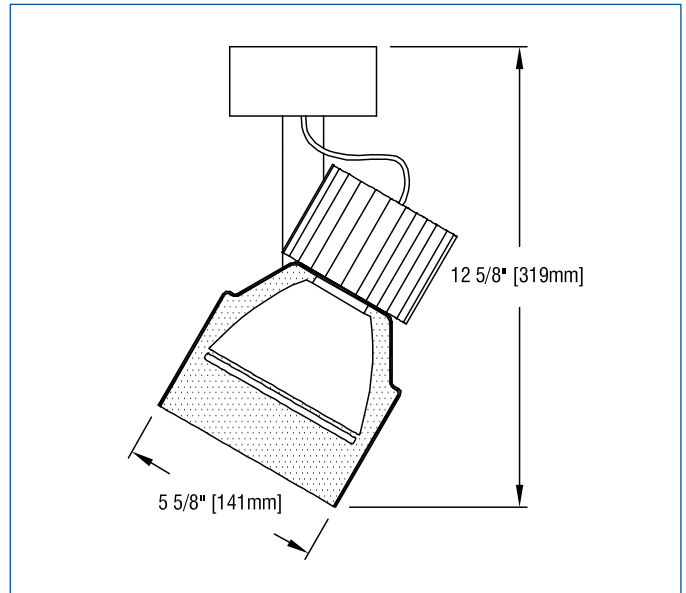
## DIMMER OPERATION



## OPTICAL ACCESSORIES

Specify as separate line items; only for use with one of the above.  
All are 4 3/4" (121 mm) diameter. Lenses and filters are glass; screens are aluminum.

- 30° spread lens ..... LENS/4.75-30
- 20° x 55° spread lens ..... LENS/4.75
- 70° spread lens ..... LENS/4.75-70
- prismatic lens (Solite) ..... PLS/4.75
- 40° x 70° spread lens ..... LENS/4.75-4070
- beam smoother ..... included with fixture ..... CLR/4.75
- color filters**
- Daylight Blue ..... DAY/4.75
- Surprise Pink ..... PNK/4.75
- amber ..... AMB/4.75
- blue ..... BLU/4.75
- green ..... GRN/4.75
- red ..... RED/4.75
- 33% light reduction screen ..... SCR33/4.75
- 50% light reduction screen ..... SCR50/4.75



## BARN DOORS

Specify as separate line items.  
Specify with one optical accessory (not included),  
see above.

- white ..... BD-A5-WH
- black ..... BD-A5-BL
- silver ..... BD-A5-SI
- custom color ..... BD-A5-CC



## APPLICATIONS

Luminaire is suitable for highlighting vertical or horizontal surfaces, as well as objects in museums, galleries, showrooms, residences, offices and stores.

Luminaire is listed for mounting on a standard 4" octagonal outlet box (by others).

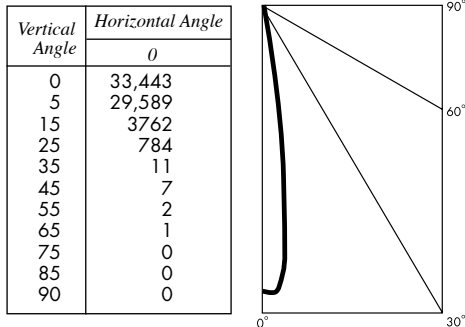
– see below for photometric reports –

## PHOTOMETRIC REPORT with 15° reflector (tested per IESNA LM-79-2008)

Prorated from Verification Services Report No. 717362. Original test report furnished upon request.

Luminaire ..... surface-mounted LED accent light with a 15° reflector and black lens holder (NO LENS)  
 Lamp ..... Citizen LED, 5600 lumens, 3000K CCT  
 Lamp Life ..... rated 50,000 hours based on L70/B50 criteria. LM80 report by LED manufacturer furnished upon request

### CANDLEPOWER DISTRIBUTION



### LUMINAIRE LIGHT OUTPUT AND EFFICACY

LED Module Type	Luminaire Light Output	Luminaire CBCP	Luminaire Efficacy (lumens/watt)	
5600 Lumens 80 CRI (L56S)	3697	33,888	92	40
4300 Lumens 97 CRI (L43A)	2810*	25,755*	70*	40

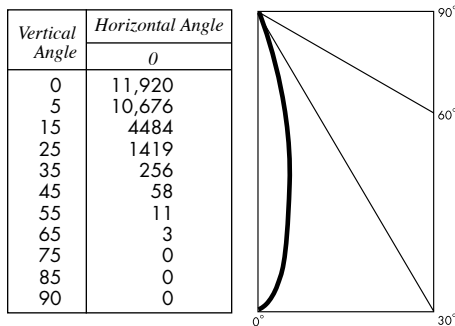
\*estimated values

## PHOTOMETRIC REPORT with 21° reflector (tested per IESNA LM-79-2008)

Verification Services Report No. 717360. Original test report furnished upon request.

Luminaire ..... surface-mounted LED accent light with a 21° reflector and black lens holder (NO LENS)  
 Lamp ..... Citizen LED, 5600 lumens, 3000K CCT  
 Lamp Life ..... see above

### CANDLEPOWER DISTRIBUTION



### LUMINAIRE LIGHT OUTPUT AND EFFICACY

LED Module Type	Luminaire Light Output	Luminaire CBCP	Luminaire Efficacy (lumens/watt)	
5600 Lumens 80 CRI (L56S)	3092	11,920	77	40
4300 Lumens 97 CRI (L43A)	2350*	9059*	59*	40

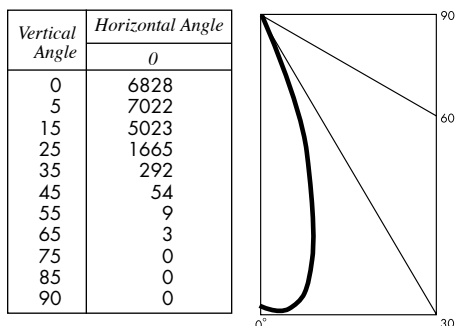
\*estimated values

## PHOTOMETRIC REPORT with 38° reflector (tested per IESNA LM-79-2008)

Verification Services Report No. 717363. Original test report furnished upon request.

Luminaire ..... surface-mounted LED accent light with a 38° reflector and black lens holder (NO LENS)  
 Lamp ..... Citizen LED, 5600 lumens, 3000K CCT  
 Lamp Life ..... see above

### CANDLEPOWER DISTRIBUTION



### LUMINAIRE LIGHT OUTPUT AND EFFICACY

LED Module Type	Luminaire Light Output	Luminaire CBCP	Luminaire Efficacy (lumens/watt)	System Wattage
5600 Lumens 80 CRI (L56S)	3084	6828	77	40
4300 Lumens 97 CRI (L43A)	2344*	5189*	59*	40

\*estimated values

## STANDARD DRIVER INFORMATION (UL Class 2, dry and damp location)

Voltage	120	277
Input Watts (L56S/L43A)	40/40	40/40
Input Current(A) (L56S/L43A)	.33/.33	.14/.14
Output Current (mA)	350-940	350-940
Min. Power Factor	0.90	0.90
Operating Temperature Range (F)	-4 to 122	-4 to 122

## LIGHT OUTPUT MULTIPLIER

LED Module Type	Light Output Multiplier
5600 Lumens 80 CRI (L56S)	1
4300 Lumens 97 CRI (L43A)	.76*