

Project

Type



Date

Product Code

Designer

ARTIMA®/5 HI O LH-OBM

surface mounted LED open-aperture accent light



Artima/5 HI O LH-OBM is a surface mounted accent light powered by two sets of Citizen chip-on-board LED modules: one set providing a CRI of 97 within 2-step MacAdam ellipses; and one set providing a CRI of 80 within 3-step MacAdam ellipses. See tables on the reverse for wattages and efficiencies.

- Luminaire is designed for mounting on a 4" octagonal outlet box (by others).
- Luminaire may be ordered with one of a number of drivers. Driver case measures 5 1/2" long x 4" wide x 2" high.
- Beam spread is changed by removing the spring-mounted lens holder, replacing one 'twist and lock' reflector with another, and re-inserting the lens holder assembly. Luminaire is ordered with a single reflector; one or both of the other reflectors may be ordered as accessories.
- Luminaire provides 385° horizontal rotation and vertical adjustment from 0° to 90°. Lamp focus can be locked by tightening two collar clamps using a 9/64" hex key.
- Lens holder assembly accepts one or two of a number of [Optical Accessories](#) including spread lenses and color filters. Complimentary Beam Smoother is included. Note that, for enhanced efficiency, cross-baffles are not included. Lens holder assembly is spring-mounted for easy removal and adjustment.
- For more information, [click here](#).

Warranty Details

- This fixture is not suitable for use in direct sunlight, as under a skylight. Fixtures used in this way are not covered by our warranty.
- Our 5-year warranty does not include the provision of extraordinary means of access, e.g. scaffolding or Genie lifts, to service a product.

PRODUCT CODE

For complete product code, list basic unit and select one item from each following box.

Basic Unit A5-CZL2-OB-OH

Beam Spread Reflector (specify one to ship with fixture)

15° spot - 15D
 21° narrow flood..... - 21D
 38° flood..... - 38D

Finish

white: white paint, white lead cord, matte aluminum heat sink - WH
 black: black paint, black lead cord, black heat sink - BL
 Industrial Silver: silver paint, black lead cord, black heat sink - SI
 custom color: include physical chip with order and select one from below

- white lead cord, matte aluminum heat sink - CCW
- black lead cord, black heat sink - CCB
- any other combinations require a special order

Driver

dimmable to 1% by a 0-10V dimmer on 120 or 277-volt service - DMV
 dimmable to 10% by either an incandescent or ELV dimmer; 120-volt service only - DMP
 eldoLED 0-10V (Logarithmic) driver dimmable to 0.1% with a 0-10V dimmer on 120 or 277-volt service..... - DVOELG
 eldoLED 0-10V (Linear) driver dimmable to 0.1% with a 0-10V dimmer on 120 or 277-volt service - DVOELN
 eldoLED driver dimmable to 0.1%, compatible with Dali control system - DAO-EL

Dimmable by integral dimmer, see [IDM Artima/5 O LH-OBM](#)

Light Source Output (Lumens)

4300L / CRI 97 2700K or 3000K..... - L43A
 5500L / CRI 97 2700K or 3000K..... - L55A
 5600L / CRI 80..... all light colors - L56S
 7200L / CRI 80..... all light colors - L72S

Light Color

2700 K - 27K
 3000 K - 30K
 3500 K not available with all Light Outputs (see above) - 35K
 4000 K not available with all Light Outputs (see above) - 40K
 5000 K not available with all Light Outputs (see above) - 50K

EXTRA REFLECTORS Specify as separate line items.

15° spot reflector CZL-REF15
 21° narrow flood reflector CZL-REF21
 38° flood reflector..... CZL-REF38

OPTICAL ACCESSORIES ▼ See next page



41-50 22ND STREET, LIC NY 11101 TEL 718.685.0700 FAX 718.786.8530 www.epl.com

©Copyright, Edison Price Lighting 2019

Artima is a registered trademark of Edison Price Lighting.

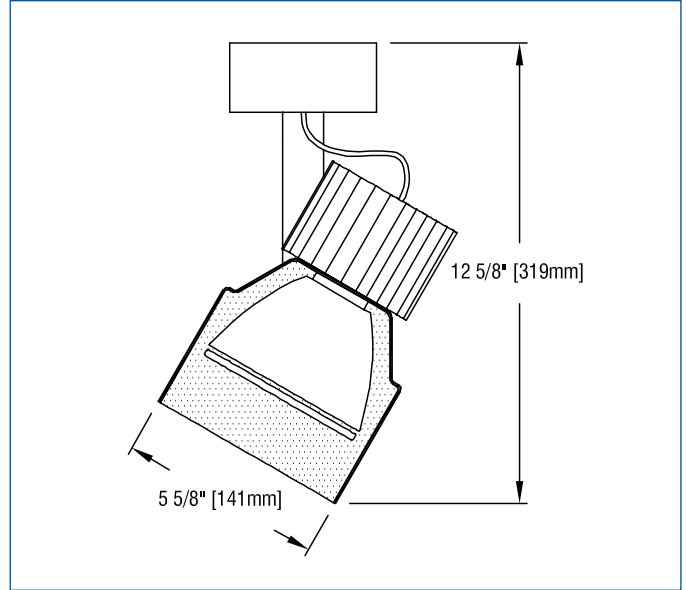
LED 0-251

6:19

OPTICAL ACCESSORIES

Specify as separate line items; only for use with one of the above.
All are 4 3/4" (121 mm) diameter. Lenses and filters are glass; screens are aluminum.

30° spread lens	LENS/4.75-30
20° x 55° spread lens	LENS/4.75
70° spread lens	LENS/4.75-70
prismatic lens (Solite)	PLS/4.75
40° x 70° spread lens	LENS/4.75-4070
beam smoother	included with fixture..... CLR/4.75
color filters	
Daylight Blue	DAY/4.75
Surprise Pink	PNK/4.75
amber	AMB/4.75
blue	BLU/4.75
green	GRN/4.75
red	RED/4.75
33% light reduction screen	SCR33/4.75
50% light reduction screen	SCR50/4.75



BARN DOORS

Specify as separate line items.
Specify with one optical accessory (not included), see above.

white	BD-A5-WH
black	BD-A5-BL
silver	BD-A5-SI
custom color	BD-A5-CC



APPLICATIONS

Luminaire is suitable for highlighting vertical or horizontal surfaces, as well as objects in museums, galleries, showrooms, residences, offices and stores.

Luminaire is listed for mounting on a standard 4" octagonal outlet box (by others).

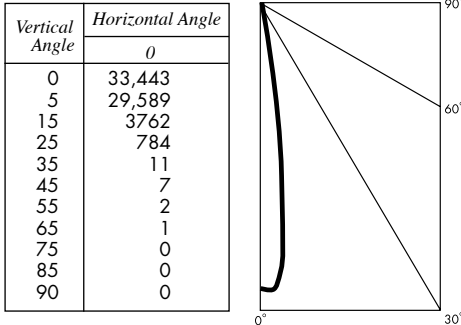
– see below for photometric reports –

PHOTOMETRIC REPORT with 15° reflector (tested per IESNA LM-79-2008)

Prorated from Verification Services Report No. 717362. Original test report furnished upon request.

Luminaire surface-mounted LED accent light with a 15° reflector and black lens holder (NO LENS)
 Lamp Citizen LED, 5600 lumens, 3000K CCT
 Lamp Life rated 50.000 hours based on L70/B50 criteria. LM80 report by LED manufacturer furnished upon request

CANDLEPOWER DISTRIBUTION



LUMINAIRE LIGHT OUTPUT AND EFFICACY

LED Module Type	Luminaire Light Output	Luminaire CBCP	Luminaire Efficacy (lumens/watt)	System Wattage
5600 Lumens 80 CRI (L56S)	3697	33,888	92	40
7200 Lumens 80 CRI (L72S)	4732*	43,377*	91*	52
4300 Lumens 97 CRI (L43A)	2810*	25,755*	70*	40
5500 Lumens 97 CRI (L55A)	3586*	32,871*	69*	52

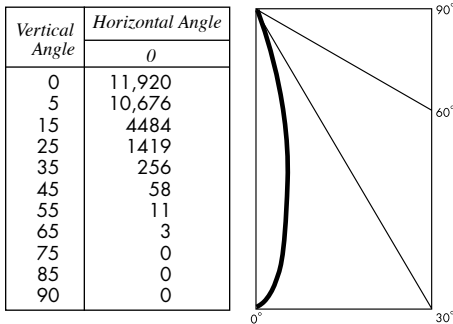
*estimated values

PHOTOMETRIC REPORT with 21° reflector (tested per IESNA LM-79-2008)

Verification Services Report No. 717360. Original test report furnished upon request.

Luminaire surface-mounted LED accent light with a 21° reflector and black lens holder (NO LENS)
 Lamp Citizen LED, 5600 lumens, 3000K CCT
 Lamp Life see above

CANDLEPOWER DISTRIBUTION



LUMINAIRE LIGHT OUTPUT AND EFFICACY

LED Module Type	Luminaire Light Output	Luminaire CBCP	Luminaire Efficacy (lumens/watt)	System Wattage
5600 Lumens 80 CRI (L56S)	3092	11,920	77	40
7200 Lumens 80 CRI (L72S)	3958*	15,258*	76*	52
4300 Lumens 97 CRI (L43A)	2350*	9059*	59*	40
5500 Lumens 97 CRI (L55A)	2999*	11,562*	58*	52

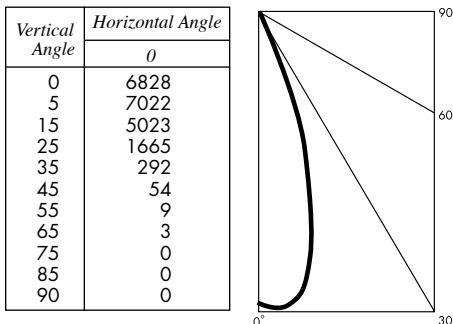
*estimated values

PHOTOMETRIC REPORT with 38° reflector (tested per IESNA LM-79-2008)

Verification Services Report No. 717363. Original test report furnished upon request.

Luminaire surface-mounted LED accent light with a 38° reflector and black lens holder (NO LENS)
 Lamp Citizen LED, 5600 lumens, 3000K CCT
 Lamp Life see above

CANDLEPOWER DISTRIBUTION



LUMINAIRE LIGHT OUTPUT AND EFFICACY

LED Module Type	Luminaire Light Output	Luminaire CBCP	Luminaire Efficacy (lumens/watt)	System Wattage
5600 Lumens 80 CRI (L56S)	3084	6828	77	40
7200 Lumens 80 CRI (L72S)	3948*	8740*	76*	52
4300 Lumens 97 CRI (L43A)	2344*	5189*	59*	40
5500 Lumens 97 CRI (L55A)	2991*	6623*	58*	52

*estimated values

STANDARD DRIVER INFORMATION (UL Class 2, dry and damp location)

Voltage	120	277
Input Watts (L56S/L72S/L43A/L55A)	40/52/40/52	40/52/40/52
Input Current(A) (L56S/L72S/L43A/L55A)	.33/.43/.33/.43	.14/.19/.14/.19
Output Current (mA)	350-940	350-940
Min. Power Factor	0.90	0.90
Operating Temperature Range (F)	-4 to 122	-4 to 122

LIGHT OUTPUT MULTIPLIER

LED Module Type	Light Output Multiplier
5600 Lumens 80 CRI (L56S)	1
7200 Lumens 80 CRI (L72S)	1.28*
4300 Lumens 97 CRI (L43A)	.76*
5500 Lumens 97 CRI (L55A)	.97*