

Project

Type



Date

Product Code

Designer

# IDM ARTIMA®/5 HI W-OBM

surface mounted LED wallwasher with integral dimmer



**IDM Artima/5 HIW-OBM is a surface mounted wallwasher powered by Citizen chip-on-board LED's providing either a CRI of 97 within 2-step MacAdam ellipses or a CRI of 80 within 3-step MacAdam ellipses. See tables below for wattages and efficiencies.**

- Luminaire is designed for mounting on a 4" octagonal outlet box (by others).
- Whether operated on 120-volt or 277-service, luminaire may be dimmed to 10% by an integral rotary dimmer located on one side of the driver case. Dimmer control shaft is spring loaded, permitting shaft to be exposed for adjustment and then depressed flush with the driver case to conserve dimmer setting. 'Clock face' markings permit registration of dimmer setting. (See illustrations below.)
- Bluetooth controls and integral rotary dimmer can be specified together in the same fixture. Users can dim by the protocol of their choice, switching between the two options as desired.
- Driver case measures 5 1/2" long x 4" wide x 1 7/8" high.
- Luminaire optical assembly consists of an aluminum reflector and a 40° x 70° spread lens. In addition, the assembly can accept one of a number of optional [Optical Accessories](#) including color filters and screens. Assembly is keyed relative to luminaire housing, to retain critical lens orientation.
- Luminaire provides 385° horizontal rotation and vertical adjustment from 0° to 90°. Lamp focus can be locked by tightening two collar clamps using a 9/64" hex key.
- For more information, [click here](#).

### Warranty Details

- This fixture is not suitable for use in direct sunlight, as under a skylight. Fixtures used in this way are not covered by our warranty.
- Our 5-year warranty does not include the provision of extraordinary means of access, e.g. scaffolding or Genie lifts, to service a product.

## PRODUCT CODE

For complete product code, list basic unit and select one item from each following box.

**Basic Unit** ..... IDM-A5-CZL2-OB-W

### Finish

white: white paint, white lead cord, matte aluminum heat sink ..... - WH  
 black: black paint, black lead cord, black heat sink ..... - BL  
 Industrial Silver: silver paint, black lead cord, black heat sink ..... - SI  
 custom color: include physical chip with order and select one from below

- white lead cord, matte aluminum heat sink ..... - CCW
- black lead cord, black heat sink ..... - CCB
- any other combinations require a special order

### Light Source Output (Lumens)

4300L / CRI 97 ..... 2700K or 3000K ..... - L43A  
 5600L / CRI 80 ..... all light colors ..... - L56S

### Light Color

2700 K ..... not available with all Light Outputs (see above) ..... - 27K  
 3000 K ..... - 30K  
 3500 K ..... not available with all Light Outputs (see above) ..... - 35K  
 4000 K ..... not available with all Light Outputs (see above) ..... - 40K  
 5000 K ..... not available with all Light Outputs (see above) ..... - 50K

### Dimming Notes:

- Fixture may be dimmed only by its integral dimmer.
- Fixture cannot be dimmed by a dimmer of any kind on the fixture circuit.
- Fixture may be damaged by use of an incandescent or ELV dimmer on the fixture circuit.
- Fixture will not be dimmed or damaged by use of a 0-10V dimmer on the fixture circuit.
- Combination with wireless Bluetooth controls available on [Bluetooth](#) model.

► For luminaires modified for 50A or 60A track systems, contact factory.

## OPTICAL ACCESSORIES

Specify as separate line items; only for use with one of the above.

All are 4 3/4" (121 mm) diameter. Lenses and filters are glass; screens are aluminum.

40° x 70° spread lens ..... included with fixture ..... LENS/4.75-4070

**color filters**

Daylight Blue ..... DAY/4.75  
 Surprise Pink ..... PNK/4.75  
 amber ..... AMB/4.75  
 blue ..... BLU/4.75  
 green ..... GRN/4.75  
 red ..... RED/4.75

**33% light reduction screen** ..... SCR33/4.75  
**50% light reduction screen** ..... SCR50/4.75



41-50 22<sup>ND</sup> STREET, LIC NY 11101 TEL 718.685.0700 FAX 718.786.8530 www.epl.com

©Copyright, Edison Price Lighting 2020

Artima is a registered trademark of Edison Price Lighting.

LED 0-252.5 2:20

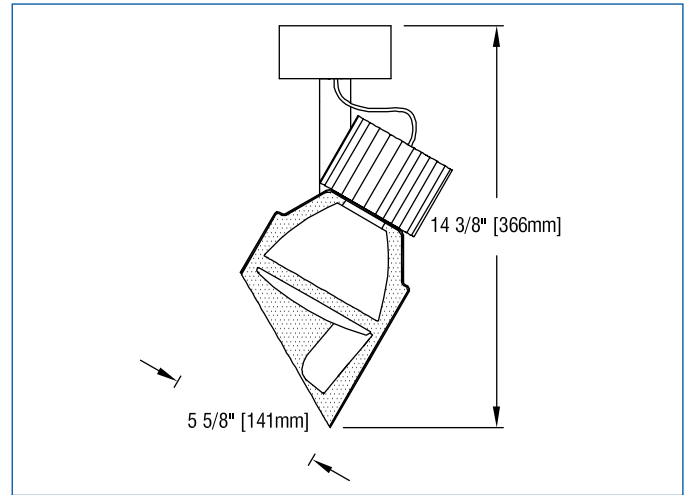
## DIMMER OPERATION



## APPLICATIONS

Luminaire is suitable for highlighting vertical surfaces, as well as objects in museums, galleries, showrooms, residences, offices and stores.

Luminaire is listed for mounting on a standard 4" octagonal outlet box (by others).



– see below for photometric reports –



## PHOTOMETRIC REPORT (tested per IESNA LM-79-2008)

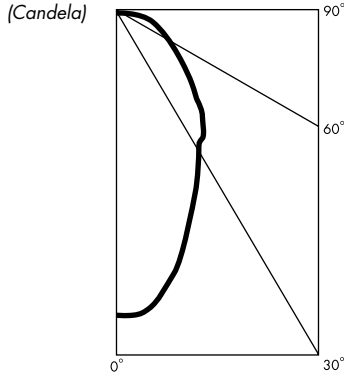
Prorated from Verification Services Report No. 717364. Original test report furnished upon

Luminaire .....surface-mounted LED lensed wallwasher with a 38° internal reflector, a 40° x 70° spread lens and a specular aluminum kicker reflector

Lamp .....Citizen LED, 5600 lumens, 3000K CCT

Lamp Life .....rated 50,000 hours based on L70/B50 criteria. LM80 report by LED manufacturer furnished upon request

### CANDLEPOWER DISTRIBUTION



### LUMINAIRE LIGHT OUTPUT AND EFFICACY

LED Module Type	Luminaire Light Output	Luminaire Efficacy (lumens/watt)	System Wattage
5600 Lumens 80 CRI (L56S)	2506	63	40
4300 Lumens 97 CRI (L43A)	1905*	48*	40

\*estimated values

### STANDARD DRIVER INFORMATION (UL Class 2, dry and damp location)

Voltage	120	277
Input Watts (L56S/L43A)	40/40	40/40
Input Current(A) (L56S/L43A)	.33/.33	.14/.14
Output Current (mA)	350-940	350-940
Min. Power Factor	0.90	0.90
Operating Temperature Range (F)	-4 to 122	-4 to 122

### WALLWASH INFORMATION

Distance From Ceiling (Feet)	5' from wall; 5' O.C.		5' 6" from wall; 5' 6" O.C.		6' from wall; 6' O.C.	
	Below Fixture	Between Fixtures	Below Fixture	Between Fixtures	Below Fixture	Between Fixtures
1	15	13	12	11	10	9
2	27	24	22	19	18	16
3	33	30	27	24	23	20
4	38	33	31	27	25	22
5	35	34	30	28	26	23
6	33	32	28	28	24	23
7	30	30	26	26	23	22
8	26	26	23	24	21	21
9	23	23	21	21	19	19
10	20	19	18	18	17	17
11	17	16	16	16	15	15
12	14	14	14	14	13	13
13	12	12	12	12	12	11
14	10	10	10	10	10	10
15	9	9	9	9	9	9
16	8	7	8	8	8	8
17			7	7	7	7
18			6	6	6	6
19					5	5
20					5	5

This table lists initial illuminance values at the center of a row of at least 5 fixtures with no contribution from ceiling or floor reflectance. Fixtures were modeled with maximum candlepower at 20° above vertical.

### LIGHT OUTPUT MULTIPLIER

LED Module Type	Light Output Multiplier
5600 Lumens 80 CRI (L56S)	1
4300 Lumens 97 CRI (L43A)	.76*