

Project

Type



Date

Product Code

Designer

# ARTIMA®/5 HI W-OBM

surface mounted LED wallwasher



Artima/5 HI W-OBM is a surface mounted wallwasher powered by two sets of Citizen chip-on-board LED modules: one set providing a CRI of 97 within 2-step MacAdam ellipses; and one set providing a CRI of 80 within 3-step MacAdam ellipses. See tables below for wattages and efficiencies.

- Luminaire is designed for mounting on a 4" octagonal outlet box (by others).
- Luminaire may be ordered with one of a number of drivers. Driver case measures 5 1/2" long x 4" wide x 2" high.
- Luminaire optical assembly consists of an aluminum reflector and a 40° x 70° spread lens. In addition, the assembly can accept one of a number of optional [Optical Accessories](#) including color filters and screens. Assembly is keyed relative to luminaire housing, to retain critical lens orientation.
- Luminaire provides 385° horizontal rotation and vertical adjustment from 0° to 90°. Lamp focus can be locked by tightening two collar clamps using a 9/64" hex key.
- For more information, [click here](#).

### Warranty Details

- This fixture is not suitable for use in direct sunlight, as under a skylight. Fixtures used in this way are not covered by our warranty.
- Our 5-year warranty does not include the provision of extraordinary means of access, e.g. scaffolding or Genie lifts, to service a product.

## PRODUCT CODE

For complete product code, list basic unit and select one item from each following box.

Basic Unit .....	A5-CZL2-OB-W
<b>Finish</b>	
white: white paint, white lead cord, matte aluminum heat sink .....	- WH
black: black paint, black lead cord, black heat sink .....	- BL
Industrial Silver: silver paint, black lead cord, black heat sink .....	- SI
custom color: include physical chip with order and select one from below	
• white lead cord, matte aluminum heat sink .....	- CCW
• black lead cord, black heat sink .....	- CCB
• any other combinations require a special order	
<b>Driver</b>	
dimmable to 1% by a 0-10V dimmer on 120 or 277-volt service .....	- DMV
dimmable to 10% by either an incandescent or ELV dimmer; 120-volt service only .....	- DMP
eldoLED 0-10V (Logarithmic) driver dimmable to 0.1% with a 0-10V dimmer on 120 or 277-volt service.....	- DVOELG
eldoLED 0-10V (Linear) driver dimmable to 0.1% with a 0-10V dimmer on 120 or 277-volt service .....	- DVOELN
eldoLED driver dimmable to 0.1%, compatible with Dali control system .....	- DAO-EL
Dimmable by integral dimmer, see <a href="#">IDM Artima/5 HI W-OBM</a>	

<b>Light Source Output (Lumens)</b>		
4300L / CRI 97 .....	2700K or 3000K .....	- L43A
5500L / CRI 97 .....	2700K or 3000K .....	- L55A
5600L / CRI 80 .....	all light colors.....	- L56S
7200L / CRI 80 .....	all light colors.....	- L72S

<b>Light Color</b>		
2700 K .....	not available with all Light Outputs (see above).....	- 27K
3000 K .....	.....	- 30K
3500 K .....	not available with all Light Outputs (see above).....	- 35K
4000 K .....	not available with all Light Outputs (see above).....	- 40K
5000 K .....	not available with all Light Outputs (see above).....	- 50K

## OPTICAL ACCESSORIES

Specify as separate line items; only for use with one of the above.

All are 4 3/4" (121 mm) diameter. Lenses and filters are glass; screens are aluminum.

40° x 70° spread lens .....	included with fixture .....	LENS/4.75-4070
<b>color filters</b>		
Daylight Blue .....	.....	DAY/4.75
Surprise Pink .....	.....	PNK/4.75
amber .....	.....	AMB/4.75
blue .....	.....	BLU/4.75
green .....	.....	GRN/4.75
red .....	.....	RED/4.75
33% light reduction screen .....	.....	SCR33/4.75
50% light reduction screen .....	.....	SCR50/4.75



41-50 22<sup>ND</sup> STREET, LIC NY 11101 TEL 718.685.0700 FAX 718.786.8530 www.epl.com


©Copyright, Edison Price Lighting 2019

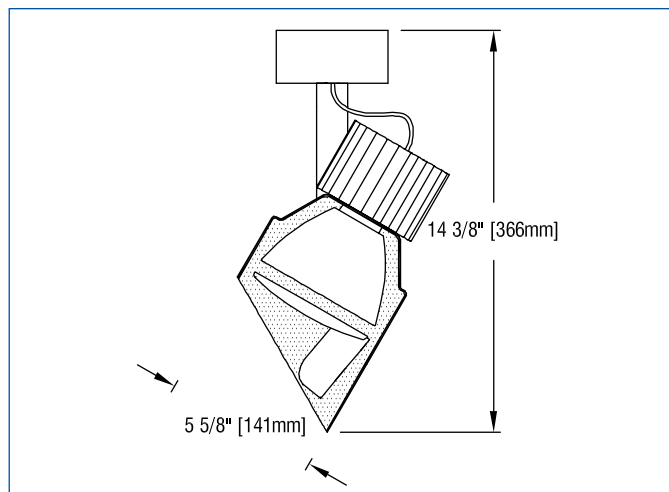
Artima is a registered trademark of Edison Price Lighting.

LED 0-252 6:19

## APPLICATIONS

Luminaire is suitable for highlighting vertical surfaces, as well as objects in museums, galleries, showrooms, residences, offices and stores.

Luminaire is  listed for mounting on a standard 4" octagonal outlet box (by others).



– see below for photometric reports –



## PHOTOMETRIC REPORT (tested per IESNA LM-79-2008)

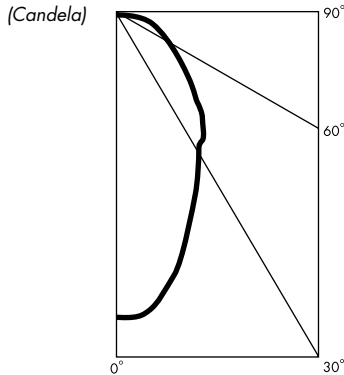
Prorated from Verification Services Report No. 717364. Original test report furnished upon

Luminaire .....surface-mounted LED lensed wallwasher with a 38° internal reflector, a 40° x 70° spread lens and a specular aluminum kicker reflector

Lamp .....Citizen LED, 5600 lumens, 3000K CCT

Lamp Life .....rated 50,000 hours based on L70/B50 criteria. LM80 report by LED manufacturer furnished upon request

## CANDLEPOWER DISTRIBUTION



## STANDARD DRIVER INFORMATION (UL Class 2, dry and damp location)

Voltage	120	277
Input Watts (L56S/L72S/L43A/L55A)	40/52/40/52	40/52/40/52
Input Current(A) (L56S/L72S/L43A/L55A)	.33/.43/.33/.43	.14/.19/.14/.19
Output Current (mA)	350-940	350-940
Min. Power Factor	0.90	0.90
Operating Temperature Range (F)	-4 to 122	-4 to 122

## LUMINAIRE LIGHT OUTPUT AND EFFICACY

LED Module Type	Luminaire Light Output	Luminaire Efficacy (lumens/watt)	System Wattage
5600 Lumens 80 CRI (L56S)	2506	63	40
7200 Lumens 80 CRI (L72S)	3208*	62*	52
4300 Lumens 97 CRI (L43A)	1905*	48*	40
5500 Lumens 97 CRI (L55A)	2431*	47*	52

\*estimated values

## WALLWASH INFORMATION

Distance From Ceiling (Feet)	5' from wall; 5' O.C.		5' 6" from wall; 5' 6" O.C.		6' from wall; 6' O.C.	
	Below Fixture	Between Fixtures	Below Fixture	Between Fixtures	Below Fixture	Between Fixtures
1	15	13	12	11	10	9
2	27	24	22	19	18	16
3	33	30	27	24	23	20
4	38	33	31	27	25	22
5	35	34	30	28	26	23
6	33	32	28	28	24	23
7	30	30	26	26	23	22
8	26	26	23	24	21	21
9	23	23	21	21	19	19
10	20	19	18	18	17	17
11	17	16	16	16	15	15
12	14	14	14	14	13	13
13	12	12	12	12	12	11
14	10	10	10	10	10	10
15	9	9	9	9	9	9
16	8	7	8	8	8	8
17			7	7	7	7
18			6	6	6	6
19					5	5
20					5	5

This table lists initial illuminance values at the center of a row of at least 5 fixtures with no contribution from ceiling or floor reflectance. Fixtures were modeled with maximum candlepower at 20° above vertical.

## LIGHT OUTPUT MULTIPLIER

LED Module Type	Light Output Multiplier
5600 Lumens 80 CRI (L56S)	1
7200 Lumens 80 CRI (L72S)	1.28*
4300 Lumens 97 CRI (L43A)	.76*
5500 Lumens 97 CRI (L55A)	.97*