

Project

Type



Date

Product Code

Designer

# ARTIMA®/5 CZS NSP-OBM BLUETOOTH

surface mounted LED addressable ring-baffled spotlight



OG model with lens clips

OP model without lens clips

- **Luminaire is equipped with a Xicato Bluetooth Low Energy Intelligent Driver**, controllable via a smart device with iOS or Windows based apps. Features include
  - standard Bluetooth Wireless connectivity
  - addressable individually
  - on/off control
  - dimming to 0.1%
  - data collection and storage for operating history
  - direct listening to switches and sensors
  - embedded Eddystone, iBeacon and/or AltBeacon beacons
- **Luminaire is designed for mounting on a 4" octagonal outlet box** (by others).
- **Optical assembly consists of an integral 9° reflector and a matte black concentric ring baffle** which increases beam control, eliminates spill light and minimizes glare. Ring baffle may be ordered with ('OG') or without ('OP') lens clips. Clips accept one or two of a number of [Optical Accessories](#) including spread lenses, a beam smoother, color filters and light reduction screens.
- **Luminaire provides 385° horizontal rotation and vertical adjustment from 0° to 90°**. Lamp focus can be locked by tightening two collar clamps using a 9/64" hex key.
- **For more information, [click here](#).**

### USB Key

To address this fixture from a Windows-based PC, laptop or tablet, a USB key (dongle) is required. Contact factory for USB key.

### Warranty Details

- This fixture is not suitable for use in direct sunlight, as under a skylight. Fixtures used in this way are not covered by our warranty.
- Our 5-year warranty does not include the provision of extraordinary means of access, e.g. scaffolding or Genie lifts, to service a product.

Artima/5 CZS NSP-OBM Bluetooth is a surface mounted 9° spotlight powered by Citizen chip-on-board LED's providing either a CRI of 97 within 2-step MacAdam ellipses or a CRI of 80 within 3-step MacAdam ellipses, capable of CBCP as high as 78,410. See tables on reverse for wattages and efficacies.

## PRODUCT CODE

For complete product code, list basic unit and select one item from each following box.

### Basic Unit

luminaire with lens clips on ring baffle ..... A5-CZS2-XID-OB-OG-9D  
 luminaire without lens clips on ring baffle ..... A5-CZS2-XID-OB-OP-9D

### Finish

white: white paint, white lead cord, matte aluminum heat sink ..... - WH  
 black: black paint, black lead cord, black heat sink ..... - BL  
 Industrial Silver: silver paint, black lead cord, black heat sink ..... - SI  
 custom color: include physical chip with order and select one from below
 

- white lead cord, matte aluminum heat sink ..... - CCW
- black lead cord, black heat sink ..... - CCB
- any other combinations require a special order

### Light Source Output (Lumens)

2100 lumens/97 CRI ..... 2700K & 3000K only ..... - L21A  
 2800 lumens/97 CRI ..... 2700K & 3000K only ..... - L28A  
 3000 lumens/97 CRI ..... 2700K & 3000K only ..... - L30A  
 3900 lumens/97 CRI ..... 2700K & 3000K only ..... - L39A  
 2700 lumens/80 CRI ..... - L27S  
 3600 lumens/80 CRI ..... - L36S  
 4000 lumens/80 CRI ..... - L40S  
 5100 lumens/80 CRI ..... - L51S

### Light Color

2700 K ..... - 27K  
 3000 K ..... - 30K  
 3500 K ..... not available with all Light Outputs (see above) ..... - 35K  
 4000 K ..... not available with all Light Outputs (see above) ..... - 40K  
 5000 K ..... not available with all Light Outputs (see above) ..... - 50K

### Circuit Limitations

Luminaire operates only on circuits with
 

- no dimmer on the circuit – or –
- a 0-10V dimmer on the circuit.

## OPTICAL ACCESSORIES ▼ See next page



41-50 22<sup>ND</sup> STREET, LIC NY 11101 TEL 718.685.0700 FAX 718.786.8530 www.epl.com

©Copyright, Edison Price Lighting 2019

Artima is a registered trademark of Edison Price Lighting.

LED 0.253.3 6:19

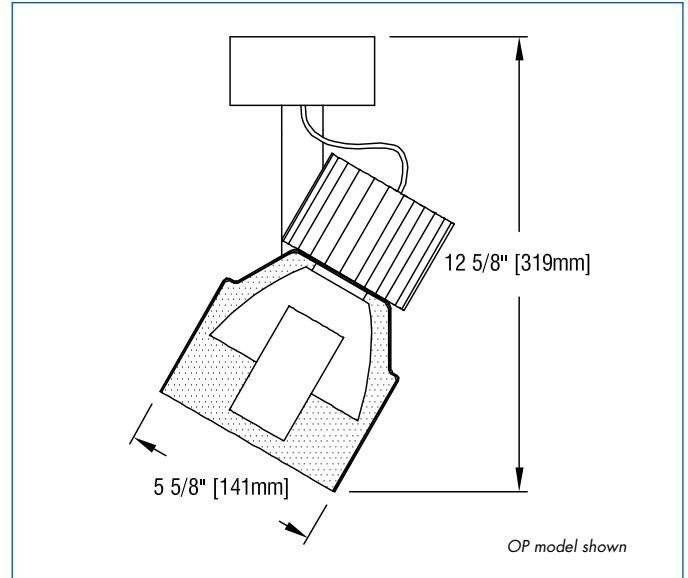
## OPTICAL ACCESSORIES

Suitable for use only with 'OG' model luminaire with lens clips.

Specify as separate items.

All are 4 3/4" (121 mm) diameter. Lenses and filters are glass; screens are aluminum.

<b>30° spread lens</b> .....	LENS/4.75-30
<b>20° x 55° spread lens</b> .....	LENS/4.75
<b>70° spread lens</b> .....	LENS/4.75-70
<b>prismatic lens (Solite)</b> .....	PLS/4.75
<b>40° x 70° spread lens</b> .....	LENS/4.75-4070
<b>beam smoother</b> .....	CLR/4.75
<b>color filters</b>	
Daylight Blue .....	DAY/4.75
Surprise Pink .....	PNK/4.75
amber .....	AMB/4.75
blue .....	BLU/4.75
green .....	GRN/4.75
red .....	RED/4.75
<b>33% light reduction screen</b> .....	SCR33/4.75
<b>50% light reduction screen</b> .....	SCR50/4.75



## BARN DOORS

Specify as separate line items.

Specify with one optical accessory (not included), see above.

<b>white</b> .....	BD-A5-WH
<b>black</b> .....	BD-A5-BL
<b>silver</b> .....	BD-A5-SI
<b>custom color</b> .....	BD-A5-CC



## APPLICATIONS

Luminaire is suitable for **spotlighting objects** in museums, galleries, showrooms, residences, offices and stores.

Luminaire is listed for Damp Location mounting on a standard 4" octagonal outlet box (by others).

– see below for photometric reports –



## PHOTOMETRIC REPORT (tested per IESNA LM-79-2008)

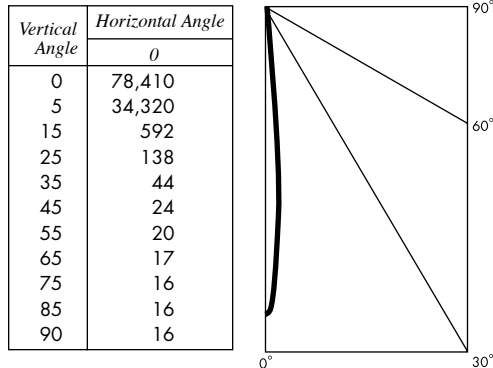
**UL** Verification Services Report No. 12186406.02. Original test report furnished upon request.

Luminaire ..... surface-mounted LED accent light with a 9° reflector and black ring baffle (NO LENS)

Lamp ..... Citizen LED, 5100 lumens, 3000K CCT

Lamp Life ..... rated 50,000 hours based on L70/B50 criteria. LM80 report by LED manufacturer furnished upon request

### CANDLEPOWER DISTRIBUTION



### LUMINAIRE LIGHT OUTPUT AND EFFICACY

LED Module Type	Luminaire Light Output	Luminaire CBCP	Luminaire Efficacy (lumens/watt)	System Wattage
2700 Lumens 80 CRI (L27S)	1476*	41,557*	78*	19
3600 Lumens 80 CRI (L36S)	1977*	55,671*	73*	27
4000 Lumens 80 CRI (L40S)	2172*	61,160*	70*	31
5100 Lumens 80 CRI (L51S)	2784	78,410	62	45
2100 Lumens 97 CRI (L21A)	1225*	34,500*	64*	19
2800 Lumens 97 CRI (L28A)	1503*	42,341*	56*	27
3000 Lumens 97 CRI (L30A)	1670*	47,046*	54*	31
3900 Lumens 97 CRI (L39A)	2144*	60,376*	48*	45

\*estimated values

### STANDARD DRIVER INFORMATION (UL Class 2, dry and damp location)

Voltage	120	277
Input Watts (L27S/L36S/L40S/L51S/L21A/L28A/L30A/L39A)	19/27/31/45/19/27/31/45	19/27/31/45/19/27/31/45
Input Current(A) (L27S/L36S/L40S/L51S/L21A/L28A/L30A/L39A)	16/23/26/38/16/23/26/38	.07/10/11/16/07/10/11/16
Output Current (mA)	500-1100	500-1100
Min. Power Factor	0.90	0.90
Operating Temperature Range (F)	-4 to 122	-4 to 122

### LIGHT OUTPUT MULTIPLIER

(Based on 5100 lumens 80 CRI option)

LED Module Type	Light Output Multiplier
2700 Lumens 80 CRI (L27S)	0.53*
3600 Lumens 80 CRI (L36S)	0.71*
4000 Lumens 80 CRI (L40S)	0.78*
5100 Lumens 80 CRI (L51S)	1
2100 Lumens 97 CRI (L21A)	0.44*
2800 Lumens 97 CRI (L28A)	0.54*
3000 Lumens 97 CRI (L30A)	0.6*
3900 Lumens 97 CRI (L39A)	0.77*