

Project

Type



Date

Product Code

Designer

ARTIMA[®]/5 VN5P-OBM

surface mounted LED ring-baffled 5° spotlight



OG model with lens clips

OP model without lens clips

- Luminaire is designed for mounting on a 4" octagonal outlet box (by others).
- Luminaire may be ordered with one of a number of drivers. Driver case measures 5 1/2" long x 4" wide x 2" high.
- Optical assembly consists of an integral 9° reflector and a matte black concentric ring baffle which increases beam control, eliminates spill light and minimizes glare. Ring baffle may be ordered with ("OG") or without ("OP") lens clips. Clips accept one or two of a number of [Optical Accessories](#) including spread lenses, a beam smoother, color filters and light reduction screens.
- Luminaire provides 385° horizontal rotation and vertical adjustment from 0° to 90°. Lamp focus can be locked by tightening two collar clamps using a 9/64" hex key.
- For more information, [click here](#).

Warranty Details

- This fixture is not suitable for use in direct sunlight, as under a skylight. Fixtures used in this way are not covered by our warranty.
- Our 5-year warranty does not include the provision of extraordinary means of access, e.g. scaffolding or Genie lifts, to service a product.

Artima/5 VN5P-OBM is a surface mounted 5° spotlight powered by two sets of chip-on-board LED modules, one set providing a CRI of 98 and one a CRI of 80+, both within 2-step MacAdam ellipses, capable of CBCP as high as 114,900! See tables below for wattages and efficacies.

PRODUCT CODE

For complete product code, list basic unit and select one item from each following box.

Basic Unit

luminaire with lens clips on ring baffle A5-CLT-OB-OG
 luminaire without lens clips on ring baffle A5-CLT-OB-OP

Finish

white: white paint, white lead cord, matte aluminum heat sink - WH
 black: black paint, black lead cord, black heat sink - BL
 Industrial Silver: silver paint, black lead cord, black heat sink - SI
 custom color: include physical chip with order and select one from below
 • white lead cord, matte aluminum heat sink - CCW
 • black lead cord, black heat sink - CCB
 • any other combinations require a special order

Driver

dimmable to 1% by a 0-10V dimmer on 120 or 277-volt service - DMV
 dimmable to 10% by either an incandescent or ELV dimmer; 120-volt service only - DMP
 eldoLED 0-10V (Logarithmic) driver dimmable to 0.1% with a 0-10V dimmer on 120 or 277-volt service - DVOELG
 eldoLED 0-10V (Linear) driver dimmable to 0.1% with a 0-10V dimmer on 120 or 277-volt service - DVOELN
 eldoLED driver dimmable to 0.1%, compatible with Dali control system - DAO-EL
 Moons' driver dimmable to 0.1%, compatible with DMX controllers - DX0-MN
 Dimmable by integral dimmer, see [IDM Artima/5 VN5P-OBM](#)
 Dimmable wirelessly, see [Artima/5 VN5P-OBM Bluetooth](#)

Light Source Output (Lumens)

1200L / CRI 98 2700K or 3000K - L12A
 1600L / CRI 98 2700K or 3000K - L16A
 2000L / CRI 98 2700K or 3000K - L20A
 1600L / CRI 80+ all light colors - L16S
 2100L / CRI 80+ all light colors - L21S
 2700L / CRI 80+ all light colors - L27S

Light Color

2700 K - 27K
 3000 K - 30K
 3500 K not available with all Light Outputs (see above) - 35K
 4000 K not available with all Light Outputs (see above) - 40K
 5000 K not available with all Light Outputs (see above) - 50K

OPTICAL ACCESSORIES ▼ See next page



41-50 22ND STREET, LIC NY 11101 TEL 718.685.0700 FAX 718.786.8530 www.epl.com

©Copyright, Edison Price Lighting 2019

Artima is a registered trademark of Edison Price Lighting.

LED 0-253.5 7:19

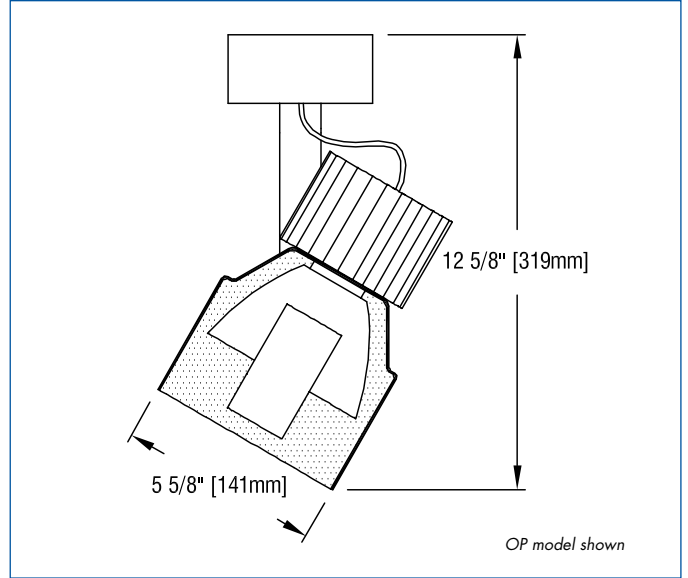
OPTICAL ACCESSORIES

Suitable for use only with 'OG' model luminaire with lens clips.

Specify as separate items.

All are 4 3/4" (121 mm) diameter. Lenses and filters are glass; screens are aluminum.

30° spread lens	LENS/4.75-30
20° x 55° spread lens	LENS/4.75
70° spread lens	LENS/4.75-70
prismatic lens (Solite)	PLS/4.75
40° x 70° spread lens	LENS/4.75-4070
beam smoother	CLR/4.75
color filters	
Daylight Blue	DAY/4.75
Surprise Pink	PNK/4.75
amber	AMB/4.75
blue	BLU/4.75
green	GRN/4.75
red	RED/4.75
33% light reduction screen	SCR33/4.75
50% light reduction screen	SCR50/4.75



APPLICATIONS

Luminaire is suitable for spotlighting objects in museums, galleries, showrooms, residences, offices and stores.

Luminaire is listed for Damp Location mounting on a standard 4" octagonal outlet box (by others).

– see below for photometric reports –



PHOTOMETRIC REPORT (tested per IESNA LM-79-2008)

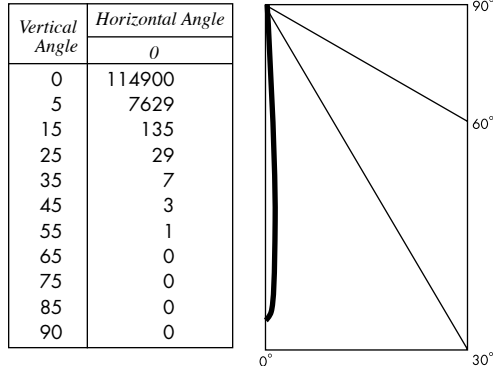
Prorated from Verification Services Report No. 12092412. Original test report furnished upon request.

Luminaire surface-mounted LED accent light with a 5° reflector and black ring baffle (NO LENS)

Lamp Cree LED, 2700 lumens, 3000K CCT

Lamp Life rated 50,000 hours based on L70/B50 criteria. LM80 report by LED manufacturer furnished upon request

CANDLEPOWER DISTRIBUTION



LUMINAIRE LIGHT OUTPUT AND EFFICACY

LED Module Type	Luminaire Light Output	Luminaire CBCP	Luminaire Efficacy (lumens/watt)	System Wattage
1600 Lumens 80 CRI (L16S)	628*	66,642*	45*	14
2100 Lumens 80 CRI (L21S)	844*	89,622*	42*	20
2700 Lumens 80 CRI (L27S)	1082	114,900	38	28
1200 Lumens 98 CRI (L12A)	476*	50,556*	34*	14
1600 Lumens 98 CRI (L16A)	638*	67,791*	32*	20
2000 Lumens 98 CRI (L20A)	812*	86,175*	29*	28

*estimated values

LIGHT OUTPUT MULTIPLIER

(based on 2700 lumens 80 CRI option)

LED Module	Light Output Multiplier
1600 Lumens 80 CRI (L16S)	.58*
2100 Lumens 80 CRI (L21S)	.78*
2700 Lumens 80 CRI (L27S)	1
1200 Lumens 98 CRI (L12A)	.44*
1600 Lumens 98 CRI (L16A)	.59*
2000 Lumens 98 CRI (L20A)	.75*

*estimated values

STANDARD DRIVER INFORMATION (UL Class 2, dry and damp location)

Voltage	120	277
Input Watts (L16S/L21S/L27S/L12A/L16A/L20A)	14/20/28/14/20/28	14/20/28/14/20/28
Input Current (A) (L16S/L21S/L27S/L12A/L16A/L20A)	.12/.17/.23/.12/.17/.23	.05/.07/.10/.05/.07/10
Output Current (mA)350-700	350-700	
Min. Power Factor	0.90	0.90
Operating Temperature Range (F)	-4 to 122	-4 to 122