

Project

Type



Date

Product Code

Designer

# ARTIMA®/5 CZS NSP LH-OBM

surface mounted LED open-aperture spotlight



- Luminaire is designed for mounting on a 4" octagonal outlet box (by others).
- Luminaire may be ordered with one of a number of drivers. Driver case measures 5 1/2" long x 4" wide x 2" high.
- Optical assembly consists of an integral 9° reflector and a matte black lens holder which reduces spill light and permits the use of one or two [Optical Accessories](#) including lenses, color filters and screens. A complimentary Beam Smoother is included. Lens holder is spring-mounted for easy removal and adjustment.
- Luminaire provides 385° horizontal rotation and vertical adjustment from 0° to 90°. Lamp focus can be locked by tightening two collar clamps using a 9/64" hex key.
- For more information, [click here](#).

### Warranty Details

- This fixture is not suitable for use in direct sunlight, as under a skylight. Fixtures used in this way are not covered by our warranty.
- Our 5-year warranty does not include the provision of extraordinary means of access, e.g. scaffolding or Genie lifts, to service a product.

Artima/5 CZS NSP LH-OBM is a surface mounted open aperture 9° spotlight powered by Citizen chip-on-board LED's providing either a CRI of 97 within 2-step MacAdam ellipses or a CRI of 80 within 3-step MacAdam ellipses, capable of CBCP as high as 75,864. See tables on reverse for wattages and efficacies.

## PRODUCT CODE

For complete product code, list basic unit and select one item from each following box.

Basic Unit .....A5\*CZS2-OB-OH-9D

### Finish

white: white paint, white lead cord, matte aluminum heat sink ..... - WH  
 black: black paint, black lead cord, black heat sink ..... - BL  
 Industrial Silver: silver paint, black lead cord, black heat sink ..... - SI  
 custom color: include physical chip with order and select one from below  
 • white lead cord, matte aluminum heat sink ..... - CCW  
 • black lead cord, black heat sink ..... - CCB  
 • any other combinations require a special order

### Driver

dimmable to 1% by a 0-10V dimmer on 120 or 277-volt service ..... - DMV  
 dimmable to 5% by either an incandescent or ELV dimmer; 120-volt service only ..... - DMP  
 dimmable to 1% by a 2-wire Lutron compatible dimmer ..... - DM-LU  
 dimmable to 1% SoftOn/FadeToBlack by a Lutron EcoSystem control..... - ECO-LU  
 eldoLED 0-10V (Logarithmic) driver dimmable to 0.1% with a 0-10V dimmer on 120 or 277-volt service..... - DVOELG  
 eldoLED 0-10V (Linear) driver dimmable to 0.1% with a 0-10V dimmer on 120 or 277-volt service ..... - DVOELN  
 eldoLED driver dimmable to 0.1%, compatible with Dali control system ..... - DAO-EL  
 Moons' driver dimmable to 0.1% by DMX controllers ..... - DXO-MN  
 Dimmable by integral dimmer, see [IDM Artima/5 CZS NSP LH-OBM](#)  
 Dimmable wirelessly, see [Artima/5 CZS NSP LH-OBM Bluetooth](#)

### Light Source Output (Lumens)

2100L / CRI 97 ..... 2700K or 3000K..... - L21A  
 2800L / CRI 97 ..... 2700K or 3000K..... - L28A  
 3900L / CRI 97 ..... 2700K or 3000K..... - L39A  
 2700L / CRI 80 ..... all light colors ..... - L27S  
 3600L / CRI 80 ..... all light colors ..... - L36S  
 5100L / CRI 80 ..... all light colors ..... - L51S

### Light Color

2700 K ..... - 27K  
 3000 K ..... - 30K  
 3500 K ..... not available with all Light Outputs (see above) ..... - 35K  
 4000 K ..... not available with all Light Outputs (see above) ..... - 40K  
 5000 K ..... not available with all Light Outputs (see above) ..... - 50K

**OPTICAL ACCESSORIES** ▼ See next page



41-50 22<sup>ND</sup> STREET, LIC NY 11101 TEL 718.685.0700 FAX 718.786.8530 www.epl.com

©Copyright, Edison Price Lighting 2019

LED 0-254.2 7:19

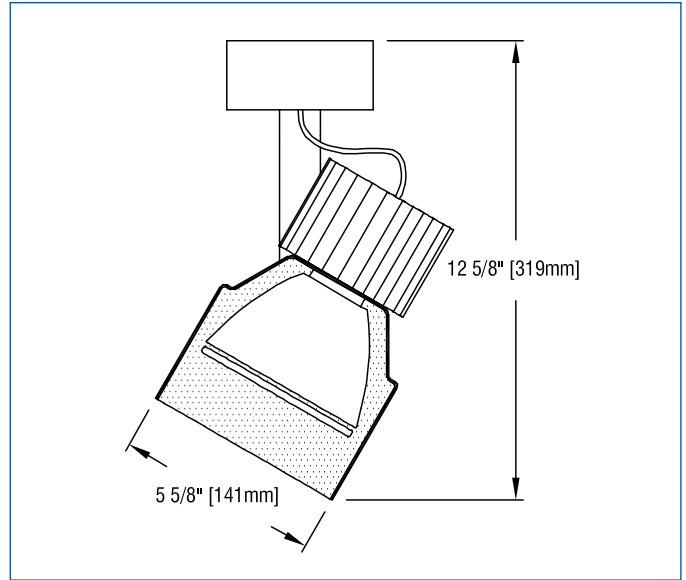
Artima is a registered trademark of Edison Price Lighting.

## OPTICAL ACCESSORIES

Specify as separate line items; only for use with one of the above.

All are 4 3/4" (121 mm) diameter. Lenses and filters are glass; screens are aluminum.

<b>30° spread lens</b> .....	LENS/4.75-30
<b>20° x 55° spread lens</b> .....	LENS/4.75
<b>70° spread lens</b> .....	LENS/4.75-70
<b>prismatic lens (Solite)</b> .....	PLS/4.75
<b>40° x 70° spread lens</b> .....	LENS/4.75-4070
<b>beam smoother</b> ..... <i>included with fixture</i> .....	CLR/4.75
<b>color filters</b>	
Daylight Blue .....	DAY/4.75
Surprise Pink .....	PNK/4.75
amber .....	AMB/4.75
blue .....	BLU/4.75
green .....	GRN/4.75
red .....	RED/4.75
<b>33% light reduction screen</b> .....	SCR33/4.75
<b>50% light reduction screen</b> .....	SCR50/4.75



## APPLICATIONS

Luminaire is suitable for spotlighting objects in museums, galleries, showrooms, residences, offices and stores.

Luminaire is listed for Damp Location mounting on a standard 4" octagonal outlet box (by others).

– see below for photometric reports –



## PHOTOMETRIC REPORT (tested per IESNA LM-79-2008)

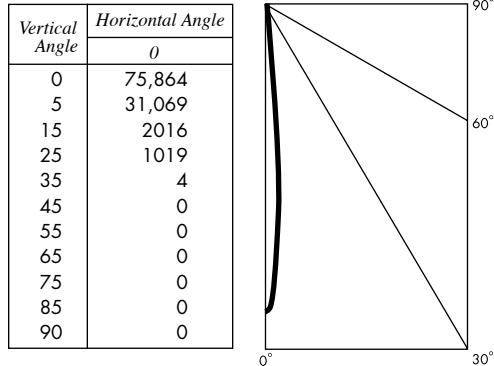
Prorated from Verification Services Report No. 755333. Original test report furnished upon request.

Luminaire ..... surface-mounted LED accent light with a 9° reflector and black lens holder (NO LENS)

Lamp ..... Citizen LED, 5100 lumens, 3000K CCT

Lamp Life ..... rated 50,000 hours based on L70/B50 criteria. LM80 report by LED manufacturer furnished upon request

### CANDLEPOWER DISTRIBUTION



### LUMINAIRE LIGHT OUTPUT AND EFFICACY

LED Module Type	Luminaire Light Output	Luminaire CBCP	Luminaire Efficacy (lumens/watt)	System Wattage
2700 Lumens 80 CRI (L27S)	1766*	40,208*	93*	19
3600 Lumens 80 CRI (L36S)	2366*	53,863*	88*	27
4000 Lumens 80 CRI (L40S)	2599*	59,174*	84*	31
5100 Lumens 80 CRI (L51S)	3332*	75,864*	74*	45
2100 Lumens 97 CRI (L21A)	1466*	33,380*	77*	19
2800 Lumens 97 CRI (L28A)	1799*	40,967*	67*	27
3000 Lumens 97 CRI (L30A)	1999*	45,518*	64*	31
3900 Lumens 97 CRI (L39A)	2566*	58,415*	57*	45

\*estimated values

### STANDARD DRIVER INFORMATION (UL Class 2, dry and damp location)

Voltage	120	277
Input Watts (L27S/L36S/L40S/L51S/L21A/L28A/L30A/L39A)	19/27/31/45/19/27/31/45	19/27/31/45/19/27/31/45
Input Current(A) (L27S/L36S/L40S/L51S/L21A/L28A/L30A/L39A)	16/23/26/38/16/23/26/38	.07/10/11/16/07/10/11/16
Output Current (mA)	500-1100	500-1100
Min. Power Factor	0.90	0.90
Operating Temperature Range (F)	-4 to 122	-4 to 122

### LIGHT OUTPUT MULTIPLIER

(Based on 5100 lumens 80 CRI option)

LED Module Type	Light Output Multiplier
2700 Lumens 80 CRI (L27S)	0.53*
3600 Lumens 80 CRI (L36S)	0.71*
4000 Lumens 80 CRI (L40S)	0.78*
5100 Lumens 80 CRI (L51S)	1
2100 Lumens 97 CRI (L21A)	0.44*
2800 Lumens 97 CRI (L28A)	0.54*
3000 Lumens 97 CRI (L30A)	0.6*
3900 Lumens 97 CRI (L39A)	0.77*