

Project

Type



Date

Product Code

Designer

ARTIMA®/5 VN5P LH-OBM

surface mounted LED open-aperture 5° spotlight



- Luminaire is designed for mounting on a 4" octagonal outlet box (by others).
- Luminaire may be ordered with one of a number of drivers. Driver case measures 5 1/2" long x 4" wide x 2" high.
- Optical assembly consists of an integral 5° reflector and a matte black lens holder which reduces spill light and permits the use of one or two [Optical Accessories](#) including lenses, color filters and screens. A complimentary Beam Smoother is included. Lens holder is spring-mounted for easy removal and adjustment.
- Luminaire provides 385° horizontal rotation and vertical adjustment from 0° to 90°. Lamp focus can be locked by tightening two collar clamps using a 9/64" hex key.
- For more information, [click here](#).

Warranty Details

- This fixture is not suitable for use in direct sunlight, as under a skylight. Fixtures used in this way are not covered by our warranty.
- Our 5-year warranty does not include the provision of extraordinary means of access, e.g. scaffolding or Genie lifts, to service a product.

Artima/5 VN5P LH-OBM is a surface mounted 5° spotlight powered by two sets of chip-on-board LED modules, one set providing a CRI of 98 and one a CRI of 80+, both within 2-step MacAdam ellipses, capable of a nearly 150,000 CBCP! See tables below for wattages and efficacies.

PRODUCT CODE

For complete product code, list basic unit and select one item from each following box.

Basic Unit	A5-CLT-OB-OH
------------------	--------------

Finish	
white: white paint, white lead cord, matte aluminum heat sink	- WH
black: black paint, black lead cord, black heat sink	- BL
Industrial Silver: silver paint, black lead cord, black heat sink	- SI
custom color: include physical chip with order and select one from below	
• white lead cord, matte aluminum heat sink	- CCW
• black lead cord, black heat sink	- CCB
• any other combinations require a special order	

Driver	
dimmable to 1% by a 0-10V dimmer on 120 or 277-volt service	- DMV
dimmable to 10% by either an incandescent or ELV dimmer; 120-volt service only	- DMP
eldoLED 0-10V (Logarithmic) driver dimmable to 0.1% with a 0-10V dimmer on 120 or 277-volt service	- DVOELG
eldoLED 0-10V (Linear) driver dimmable to 0.1% with a 0-10V dimmer on 120 or 277-volt service	- DVOELN
eldoLED driver dimmable to 0.1%, compatible with Dali control system	- DAO-EL
Moons' driver dimmable to 0.1%, compatible with DMX controllers	- DX0-MN

Dimmable by integral dimmer, see [IDM Artima/5 VN5P LH-OBM](#)
 Dimmable wirelessly, see [Artima/5 VN5P LH-OBM Bluetooth](#)

Light Source Output (Lumens)		
1200L / CRI 98	2700K or 3000K	- L12A
1600L / CRI 98	2700K or 3000K	- L16A
2000L / CRI 98	2700K or 3000K	- L20A
1600L / CRI 80+	all light colors	- L16S
2100L / CRI 80+	all light colors	- L21S
2700L / CRI 80+	all light colors	- L27S

Light Color	
2700 K	- 27K
3000 K	- 30K
3500 K	- 35K
4000 K	- 40K
5000 K	- 50K

OPTICAL ACCESSORIES ▼ See next page



41-50 22ND STREET, LIC NY 11101 TEL 718.685.0700 FAX 718.786.8530 www.epl.com

©Copyright, Edison Price Lighting 2019
Artima is a registered trademark of Edison Price Lighting.

LED 0-254.5 7:19

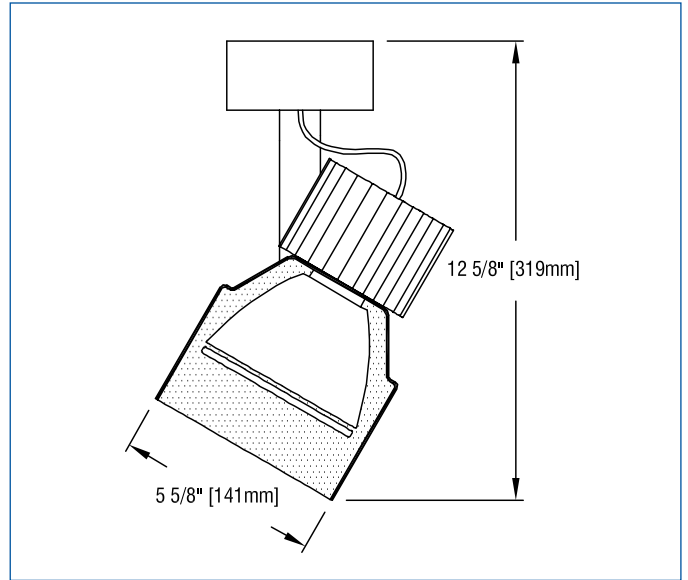
OPTICAL ACCESSORIES

Suitable for use only with 'OG' model luminaire with lens clips.

Specify as separate items.

All are 4 3/4" (121 mm) diameter. Lenses and filters are glass; screens are aluminum.

30° spread lens	LENS/4.75-30
20° x 55° spread lens	LENS/4.75
70° spread lens	LENS/4.75-70
prismatic lens (Solite)	PLS/4.75
40° x 70° spread lens	LENS/4.75-4070
beam smoother	CLR/4.75
color filters	
Daylight Blue	DAY/4.75
Surprise Pink	PNK/4.75
amber	AMB/4.75
blue	BLU/4.75
green	GRN/4.75
red	RED/4.75
33% light reduction screen	SCR33/4.75
50% light reduction screen	SCR50/4.75



APPLICATIONS

Luminaire is suitable for spotlighting objects in museums, galleries, showrooms, residences, offices and stores.

Luminaire is listed for Damp Location mounting on a standard 4" octagonal outlet box (by others).

– see below for photometric reports –



PHOTOMETRIC REPORT (tested per IESNA LM-79-2008)

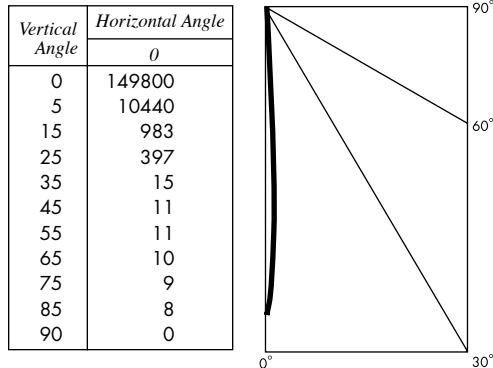
Prorated from Verification Services Report No. 12139550. Original test report furnished upon request.

Luminaire surface-mounted LED accent light with a 5° reflector and black lens holder (NO LENS)

Lamp Cree LED, 2700 lumens, 3000K CCT

Lamp Life rated 50,000 hours based on L70/B50 criteria. LM80 report by LED manufacturer furnished upon request

CANDLEPOWER DISTRIBUTION



LUMINAIRE LIGHT OUTPUT AND EFFICACY

LED Module Type	Luminaire Light Output	Luminaire CBCP	Luminaire Efficacy (lumens/watt)	System Wattage
1600 Lumens 80 CRI (L16S)	1099*	86,884*	78*	14
2100 Lumens 80 CRI (L21S)	1477*	116,844*	74*	20
2700 Lumens 80 CRI (L27S)	1894	149,800	67	28
1200 Lumens 98 CRI (L12A)	833*	65,921*	60*	14
1600 Lumens 98 CRI (L16A)	1117*	88,382*	56*	20
2000 Lumens 98 CRI (L20A)	1421*	112,350*	51*	28

*estimated values

LIGHT OUTPUT MULTIPLIER

(based on 2700 lumens 80 CRI option)

LED Module	Light Output Multiplier
1600 Lumens 80 CRI (L16S)	.58*
2100 Lumens 80 CRI (L21S)	.78*
2700 Lumens 80 CRI (L27S)	1
1200 Lumens 98 CRI (L12A)	.44*
1600 Lumens 98 CRI (L16A)	.59*
2000 Lumens 98 CRI (L20A)	.75*

*estimated values

STANDARD DRIVER INFORMATION (UL Class 2, dry and damp location)

Voltage	120	277
Input Watts (L16S/L21S/L27S/L12A/L16A/L20A)	14/20/28/14/20/28	14/20/28/14/20/28
Input Current (A) (L16S/L21S/L27S/L12A/L16A/L20A)	.12/.17/.23/.12/.17/.23	.05/.07/.10/.05/.07/10
Output Current (mA)350-700	350-700	
Min. Power Factor	0.90	0.90
Operating Temperature Range (F)	-4 to 122	-4 to 122