

Project

Type



Date

Product Code

Designer

MINI WAND® MRE O-OBMX

surface mounted accent light



- Fixture is designed for mounting on a 4" octagonal outlet box (by others). Fixture includes an integral electronic transformer mounted on top of the outlet box cover.
- The optical assembly consists of a conical specular black reflector which reduces lamp brightness.
- A socket cap prevents any backslash of light onto the ceiling.
- Concealed swivels provide 350° horizontal rotation as well as vertical adjustment from 0° to 90°. Focus is positively locked by tightening the knurled ends of the two stems.
- If used with one of the five lamps above which draw 7.5 watts or less, fixture accepts one of a number of [Optical Accessories](#) including spread lenses, a beam smoother and color filters.
- If used with a SORAA 10° lamp, SORAA Snap System accessories may be applied to lamp.
- Magic Wand fixtures have seamless aluminum housings for lightweight durability. Standard finish is matte white with a white socket lead; also available in black and Industrial Silver matte paint finishes.
- For more information, [click here](#).

Lamp (By Others) Dimming Info

Edison Price Lighting does not include lamps and does not sell either lamps or their accessories. For dimming compatibility consult the lamp manufacturer's website.

Mini Wand MRE O-OBMX is a surface mounted accent light designed for use with 12-volt, GU5.3 base, MR16-shaped retrofit LED lamps (supplied by others) including:

- Philips 6.6 watt 6.6MR16/LED.... or 7.0 watt 7MR16/LED...
- SORAA 7.5 watt or 9.0 watt Brilliant or Vivid

PRODUCT CODE

Complete Product Code..... MW3-MRE-OBMX-O
standard finish: matte white with white socket lead

OPTIONS

Specify by adding to the product code.

black socket lead

with standard matte white housing – BSLV

matte black housing finish

black socket lead standard – BLK

Industrial Silver housing finish

black socket lead standard – SIL

custom color paint housing finish

specify white or black socket lead – WSLV or – BSLV
and identify color in specification CCH

OPTICAL ACCESSORIES

Specify as separate line items.

All are 2 3/8" (60mm) dia. Lenses and filters are glass; screens are aluminum.

diffuse glass not for use with Soraa 9.0 watt lamps DGS/2.375

prismatic lens (Solite) not for use with Soraa 9.0 watt lamps PLS/2.375

55° spread lens not for use with Soraa 9.0 watt lamps LENS/2.375

40°x70° spread lens not for use with Soraa 9.0 watt lamps .. LENS/2.375-4070

beam smoother not for use with Soraa 9.0 watt lamps..... CLR/2.375

color filters

Daylight Blue not for use with Soraa 9.0 watt lamps DAY/2.375

Surprise Pink not for use with Soraa 9.0 watt lamps PNK/2.375

amber not for use with Soraa 9.0 watt lamps AMB/2.375

blue not for use with Soraa 9.0 watt lamps BLU/2.375

green not for use with Soraa 9.0 watt lamps GRN/2.375

red not for use with Soraa 9.0 watt lamps RED/2.375

33% light reduction screen .. not for use with Soraa 9.0 watt lamps..... SCR33/2.375

50% light reduction screen .. not for use with Soraa 9.0 watt lamps..... SCR50/2.375



41-50 22ND STREET, LIC NY 11101 TEL 718.685.0700 FAX 718.786.8530 www.epl.com

©Copyright, Edison Price Lighting 2019


LED 0-300 6:19

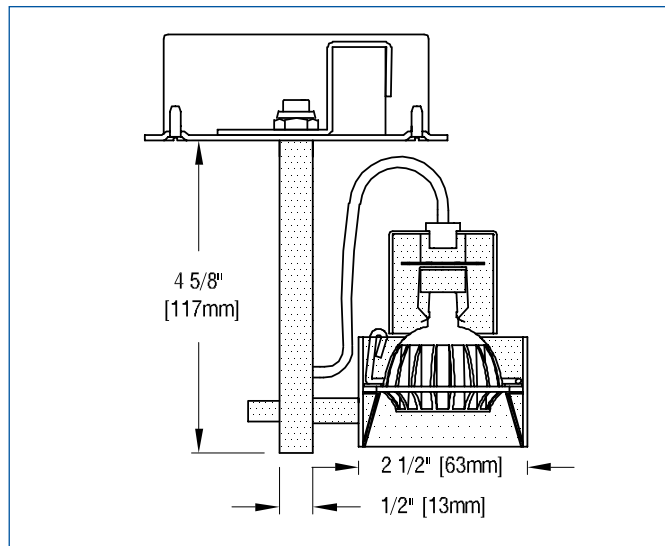
*Magic Wand, SightLine, DoubleLine, Upline, AutoTrak and AutoBus are registered trademarks of Edison Price Lighting.

MINI WAND MRE O-OBMX

APPLICATIONS

Fixture is suitable for highlighting vertical or horizontal surfaces, as well as objects in museums, galleries, showrooms, residences, restaurants, offices and stores.

Fixture is suitable for 120-volt electrical service and is  listed for mounting on a standard 4" octagonal outlet box (by others).



For current lamp performance data, consult lamp manufacturer's website.