

Project

Type



Date

Product Code

Designer

MINI WAND® 16E O-OBM

surface mounted MR16 LED accent light



Mini Wand 16E O-OBM is an accent light designed for use with a 120-volt, GU10 base, 7.5 watt or 9 watt Soraa MR16-GU10 lamp. Fixture is designed for mounting on a 4" octagonal outlet box (supplied by others). Additional lamps may be suitable. Contact factory with inquiries.

- Concealed swivels provide 350° horizontal rotation as well as vertical adjustment from 0° to 90°. Focus is positively locked by tightening the knurled ends of the stems.
- Lamp brightness is reduced by a conical specular black aperture splay.
- With a 7.5 watt lamp only, fixture accepts one or two of a number of Edison Price Lighting [Optical Accessories](#) including spread lenses, a beam smoother, color filters and light reduction screens. **Alternatively, and again with a 7.5 watt lamp only,** fixture accepts Soraa Snap System lenses, supplied by others
- Mini Wand fixtures are constructed of aluminum components for light-weight durability. Standard finish is matte white with a white socket lead; also available in black and Industrial Silver matte paint finishes.
- For more information, [click here](#).

APPLICATIONS

Fixture is suitable for directional accent and display highlighting in museums, galleries, showrooms, residences, restaurants, offices and stores.

Fixture is suitable for 120-volt electrical service and cULus listed for mounting on a standard 4" octagonal outlet box (by others).

PRODUCT CODE

Complete Product Code.....MW3-16E-O-OBM
standard finish: matte white with white socket lead

OPTIONS

Specify by adding to the product code.

black socket lead

with standard matte white housing – BSLV

matte black housing finish

black socket lead standard – BLK

Industrial Silver housing finish

black socket lead standard – SIL

custom color paint housing finish

specify white or black socket lead – WSLV or – BSLV
and identify color in specification CCH

OPTICAL ACCESSORIES

Note: Suitable for use with 7.5 watt lamps only.

Specify as separate line items.

All are 2 3/8" (60mm) dia. Lenses and filters are glass; screens are aluminum.

diffuse glass DGS/2.375

prismatic lens (Solite; included with fixture) PLS/2.375

55° spread lens LENS/2.375

40° x 70° spread lens LENS/2.375-4070

beam smoother CLR/2.375

color filters

Daylight Blue DAY/2.375

Surprise Pink PNK/2.375

amber AMB/2.375

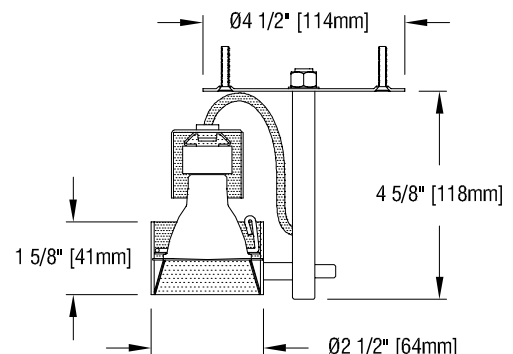
blue BLU/2.375

green GRN/2.375

red RED/2.375

33% light reduction screen SCR33/2.375

50% light reduction screen SCR50/2.375



MINI WAND 16E O-OBM

For current Soraa MR16-GU10 lamp performance data, consult www.soraa.com.