

Project

Type



Date Product Code

Designer

# MAGIC WAND® MRE O-OBM

surface mounted accent light



- Fixture is designed for mounting on a 4" octagonal outlet box (by others). Fixture includes an integral electronic transformer.
- The optical assembly consists of a conical specular black reflector which reduces lamp brightness.
- A flared socket cap prevents any backslash of light onto the ceiling.
- Concealed swivels provide 350° horizontal rotation as well as vertical adjustment from 0° to 90°. Swivels are permanently tensioned, allowing the fixture to remain fixed at any aiming angle.
- If used with one of the five lamps above which draw 7.5 watts or less, fixture accepts one of a number of [Optical Accessories](#) including spread lenses, a beam smoother and color filters.
- If used with a SORAA 10° lamp, SORAA Snap System accessories may be applied to lamp.
- Magic Wand fixtures have seamless aluminum housings for lightweight durability. Standard finish is matte white with a white socket lead; also available in black and Industrial Silver matte paint finishes.
- For more information, [click here](#).

### Lamp (By Others) Dimming Info

Edison Price Lighting does not include lamps and does not sell either lamps or their accessories. For dimming compatibility consult the lamp manufacturer's website.

Magic Wand MRE O-OBM is a surface mounted accent light designed for use with 12-volt, GU5.3 base, MR16-shaped retrofit LED lamps (supplied by others) including:

- Philips 6.6 watt 6.6MR16/LED.... or 7.0 watt 7MR16/LED...
- SORAA 7.5 watt or 9.0 watt Brilliant or Vivid

## PRODUCT CODE

Complete Product Code..... MW-MRE-O-OBM  
standard finish: matte white with white socket lead

## OPTIONS

Specify by adding to the product code.

- black socket lead**  
with standard matte white housing ..... – BSLV  
**matte black** housing finish  
black socket lead standard ..... – BLK
- Industrial Silver** housing finish  
black socket lead standard ..... – SIL
- custom color** paint housing finish  
specify white or black socket lead ..... – WSLV or – BSLV  
and identify color in specification ..... CCH

## OPTICAL ACCESSORIES

Specify as separate line items.

All are 2 3/8" (60mm) dia. Lenses and filters are glass; screens are aluminum.

- diffuse glass** ..... not for use with Soraa 9.0 watt lamps ..... DGS/2.375
- prismatic lens (Solite)** ..... not for use with Soraa 9.0 watt lamps ..... PLS/2.375
- 55° spread lens** ..... not for use with Soraa 9.0 watt lamps ..... LENS/2.375
- 40°x70° spread lens** ..... not for use with Soraa 9.0 watt lamps .. LENS/2.375-4070
- beam smoother** ..... not for use with Soraa 9.0 watt lamps ..... CLR/2.375
- color filters**
- Daylight Blue ..... not for use with Soraa 9.0 watt lamps ..... DAY/2.375
- Surprise Pink ..... not for use with Soraa 9.0 watt lamps ..... PNK/2.375
- amber ..... not for use with Soraa 9.0 watt lamps ..... AMB/2.375
- blue ..... not for use with Soraa 9.0 watt lamps ..... BLU/2.375
- green ..... not for use with Soraa 9.0 watt lamps ..... GRN/2.375
- red ..... not for use with Soraa 9.0 watt lamps ..... RED/2.375
- 33% light reduction screen** .. not for use with Soraa 9.0 watt lamps ..... SCR33/2.375
- 50% light reduction screen** .. not for use with Soraa 9.0 watt lamps ..... SCR50/2.375



41-50 22<sup>ND</sup> STREET, LIC NY 11101 TEL 718.685.0700 FAX 718.786.8530 www.epl.com


©Copyright, Edison Price Lighting 2019  
©Magic Wand, SightLine, DoubleLine, Upline, AutoTrak and AutoBus are registered trademarks of Edison Price Lighting.

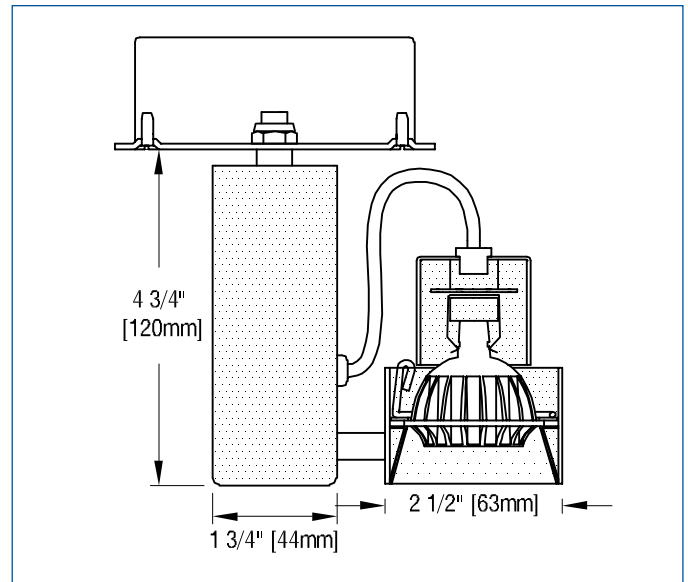
LED 0-305 6:19

# MAGIC WAND MRE O-OBM

## APPLICATIONS

Fixture is suitable for highlighting vertical or horizontal surfaces, as well as objects in museums, galleries, showrooms, residences, restaurants, offices and stores.

Fixture is suitable for 120-volt electrical service and is  listed for mounting on a standard 4" octagonal outlet box (by others).



For current lamp performance data, consult lamp manufacturer's website.