

MAGIC WAND® MRE W-OBM


surface mounted wallwasher



- Fixture is designed for mounting on a 4" octagonal outlet box (by others). Fixture includes an integral electronic transformer.
- The optical assembly consists of an integral specular [reflector](#) and 40° x 70° spread lens.
- A flared socket cap prevents any backslash of light onto the ceiling.
- Concealed swivels provide 350° horizontal rotation as well as vertical adjustment from 0° to 90°. Swivels are permanently tensioned, allowing the fixture to remain fixed at any aiming angle.
- Magic Wand fixtures have seamless aluminum housings for lightweight durability. Standard finish is matte white with a white socket lead; also available in black and Industrial Silver matte paint finishes.
- For more information, [click here](#).

APPLICATIONS

Fixture is suitable for wallwashing vertical surfaces in museums, galleries, showrooms, residences, restaurants, offices and stores.

Fixture is suitable for 120-volt electrical service and is  listed for mounting on a standard 4" octagonal outlet box (by others).

Lamp (By Others) Dimming Info

Edison Price Lighting does not include lamps and does not sell either lamps or their accessories. For dimming compatibility consult the lamp manufacturer's website.

Magic Wand MRE W-OBM is a surface mounted wallwasher designed for use with 12-volt, GU5.3 base, MR16-shaped retrofit LED lamps (supplied by others) including:

- Philips 6.6 watt 6.6MR16/LED.... or 7.0 watt 7MR16/LED...
- SORAA 7.5 watt Brilliant or Vivid

PRODUCT CODE

Complete Product Code.....MW-MRE-W-OBM
standard finish: matte white with white socket lead

OPTIONS

Specify by adding to the product code.

black socket lead

with standard matte white housing – BSLV

matte black housing finish

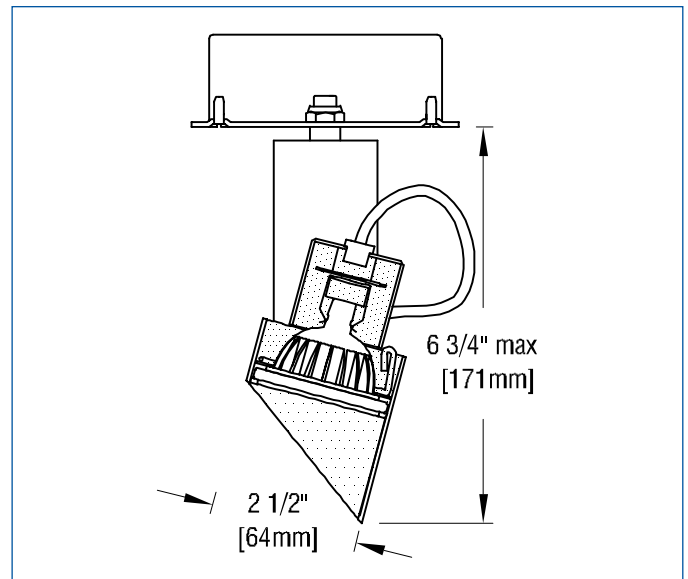
black socket lead standard – BLK

Industrial Silver housing finish

black socket lead standard – SIL

custom color paint housing finish

specify white or black socket lead – WSLV or – BSLV
and identify color in specification CCH



MAGIC WAND MRE W-OBM

For current lamp performance data, consult lamp manufacturer's website.