

Project

Type



Date

Product Code

Designer

# ARTIMA® MRE O-OBMX

surface mounted MR16 LED accent light



Artima MRE O-OBMX is an accent light designed for use with 12-volt, GU5.3 base, MR16-shaped retrofit LED lamps (supplied by others) including:

- Philips 6.6 watt 6.6MR16/LED  
7.0 watt 7MR16/LED
- Philips 6.5 watt WarmGlow  
6.5MR16, dim-to-warm
- Soraa 7.5 watt Brilliant or Vivid LED
- Additional lamps may be suitable. Contact factory with inquiries.

- Fixture is designed for mounting on a 4" octagonal outlet box (by others) and includes an integral 120/12-volt electronic transformer mounted on top of the outlet box cover.
- The optical assembly consists of a conical specular black reflector which reduces lamp brightness.
- A socket cap prevents any backsplash of light onto the ceiling.
- Fixture provides 385° horizontal rotation and vertical adjustment from 0° to 90°. Lamp focus can be locked by tightening two collar clamps using 3/32" and 7/64" hex keys.
- If used with one of the five lamps above which draw 7.5 watts or less, fixture accepts one of a number of [Optical Accessories](#) including spread lenses, a beam smoother and color filters.
- If used with a SORAA 10° lamp, SORAA Snap System accessories may be applied to lamp.
- Standard finish is matte white with a white socket lead; also available in black and Industrial Silver matte paint finishes.
- For more information, [click here](#).

#### Lamp (By Others) Dimming Info

Edison Price Lighting does not include lamps and does not sell either lamps or their accessories. For dimming compatibility consult the lamp manufacturer's website.

## PRODUCT CODE

Complete Product Code..... ART-MRE-O-OBMX  
standard finish: matte white with white socket lead

## OPTIONS

Specify by adding to the product code.

- matte black** housing finish  
black socket lead standard ..... – BLK
- Industrial Silver** housing finish  
black socket lead standard ..... – SIL
- custom color** paint housing finish  
specify white or black socket lead ..... – WSLV or – BSLV  
and identify color in specification ..... CCH

## OPTICAL ACCESSORIES

Specify as separate line items.

All are 2 3/8" (60mm) dia. Lenses and filters are glass; screens are aluminum.

- diffuse glass** .....not for use with Soraa 9.0 watt lamps ..... DGS/2.375
- prismatic lens (Solite)** .....not for use with Soraa 9.0 watt lamps ..... PLS/2.375
- 55° spread lens** .....not for use with Soraa 9.0 watt lamps ..... LENS/2.375
- 40° x 70° spread lens** .....not for use with Soraa 9.0 watt lamps .. LENS/2.375-4070
- beam smoother** .....not for use with Soraa 9.0 watt lamps ..... CLR/2.375
- UV filter** .....not for use with Soraa 9.0 watt lamps ..... UVF/2.375
- color filters**
- Daylight Blue .....not for use with Soraa 9.0 watt lamps ..... DAY/2.375
- Surprise Pink .....not for use with Soraa 9.0 watt lamps ..... PNK/2.375
- amber .....not for use with Soraa 9.0 watt lamps ..... AMB/2.375
- blue .....not for use with Soraa 9.0 watt lamps ..... BLU/2.375
- green .....not for use with Soraa 9.0 watt lamps ..... GRN/2.375
- red .....not for use with Soraa 9.0 watt lamps ..... RED/2.375
- 33% light reduction screen** ..not for use with Soraa 9.0 watt lamps ..... SCR33/2.375
- 50% light reduction screen** ..not for use with Soraa 9.0 watt lamps ..... SCR50/2.375



# ARTIMA MRE O-OBMX

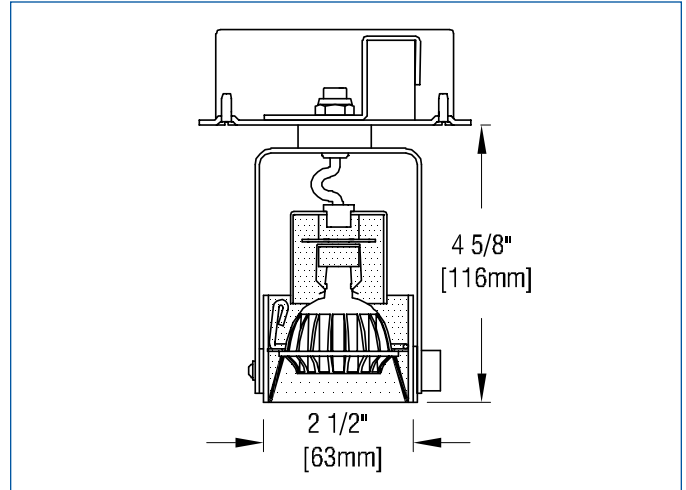
---

## APPLICATIONS

---

Fixture is suitable for highlighting vertical or horizontal surfaces, as well as objects in museums, galleries, showrooms, residences, offices and stores.

Fixture is suitable for 120-volt electrical service and cUL<sup>us</sup> listed for mounting on a standard 4" octagonal outlet box (by others).



---

For current lamp performance data, consult lamp manufacturer's website.