

Project

Type



Date Product Code

Designer

ARTIMA® MRE O-OBMX

surface mounted accent light



- **Fixture is designed for mounting on a 4" octagonal outlet box** (by others) and includes an integral 120/12-volt electronic transformer mounted on top of the outlet box cover.
- **The optical assembly consists of a conical specular black reflector** which reduces lamp brightness.
- **A socket cap prevents any backsplash of light onto the ceiling.**
- **Fixture provides 385° horizontal rotation and vertical adjustment from 0° to 90°.** Lamp focus can be locked by tightening two collar clamps using $\frac{3}{32}$ " and $\frac{7}{64}$ " hex keys.
- **If used with one of the five lamps above which draw 7.5 watts or less,** fixture accepts one of a number of [Optical Accessories](#) including spread lenses, a beam smoother and color filters.
- **If used with a SORAA 10° lamp,** SORAA Snap System accessories may be applied to lamp.
- **Standard finish is matte white with a white socket lead;** also available in black and Industrial Silver matte paint finishes.
- **For more information, [click here.](#)**

Lamp (By Others) Dimming Info

Edison Price Lighting does not include lamps and does not sell either lamps or their accessories. For dimming compatibility consult the lamp manufacturer's website.

Artima MRE O-OBMX is an accent light designed for use with 12-volt, GU5.3 base, MR16-shaped retrofit LED lamps (supplied by others) including:

- **Philips 6.6 watt 6.6MR16/LED....**
or **7.0 watt 7MR16/LED...**
- **SORAA 7.5 watt or 9.0 watt Brilliant or Vivid**

PRODUCT CODE

Complete Product Code..... ART-MRE-O-OBMX
standard finish: matte white with white socket lead

OPTIONS

Specify by adding to the product code.

- matte black** housing finish
black socket lead standard – BLK
- Industrial Silver** housing finish
black socket lead standard – SIL
- custom color** paint housing finish
specify white or black socket lead – WSLV or – BSLV
and identify color in specification CCH

OPTICAL ACCESSORIES

Specify as separate line items.

All are 2 $\frac{3}{8}$ " (60mm) dia. Lenses and filters are glass; screens are aluminum.

- diffuse glass**not for use with Soraa 9.0 watt lamps DGS/2.375
- prismatic lens (Solite)**not for use with Soraa 9.0 watt lamps PLS/2.375
- 55° spread lens**not for use with Soraa 9.0 watt lamps LENS/2.375
- 40° x 70° spread lens**not for use with Soraa 9.0 watt lamps .. LENS/2.375-4070
- beam smoother**not for use with Soraa 9.0 watt lamps CLR/2.375
- UV filter**not for use with Soraa 9.0 watt lamps UVF/2.375
- color filters**
- Daylight Blue.....not for use with Soraa 9.0 watt lamps DAY/2.375
- Surprise Pink.....not for use with Soraa 9.0 watt lamps PNK/2.375
- amber.....not for use with Soraa 9.0 watt lamps AMB/2.375
- bluenot for use with Soraa 9.0 watt lamps BLU/2.375
- greennot for use with Soraa 9.0 watt lamps GRN/2.375
- rednot for use with Soraa 9.0 watt lamps RED/2.375
- 33% light reduction screen** ..not for use with Soraa 9.0 watt lamps SCR33/2.375
- 50% light reduction screen** ..not for use with Soraa 9.0 watt lamps SCR50/2.375

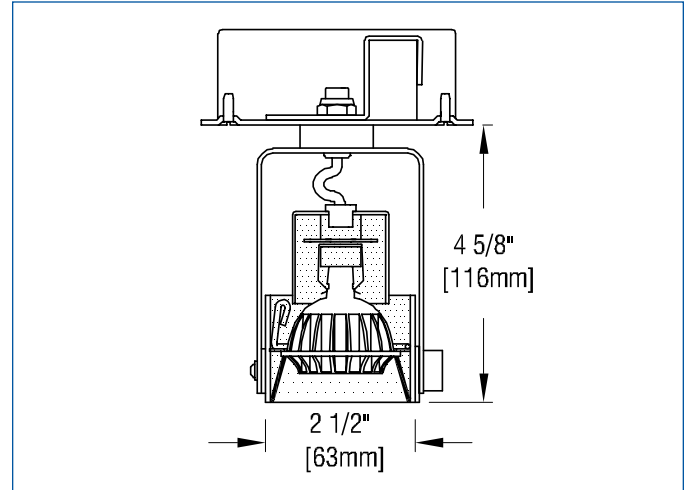


ARTIMA MRE O-OBMX

APPLICATIONS

Fixture is suitable for highlighting vertical or horizontal surfaces, as well as objects in museums, galleries, showrooms, residences, offices and stores.

Fixture is suitable for 120-volt electrical service and cUL^{us} listed for mounting on a standard 4" octagonal outlet box (by others).



For current lamp performance data, consult lamp manufacturer's website.