

Project

Type



Date

Product Code

Designer

# ARTIMA® PWG W-OBMX

surface mounted dim-to-warm wallwasher



- Fixture is designed for mounting on a 4" octagonal outlet box (by others) and includes an integral 120/12-volt electronic transformer mounted on top of the outlet box cover.
- The optical assembly consists of an integral specular reflector and 40° x 70° spread lens.
- A socket cap prevents any backsplash of light onto the ceiling.
- Fixture provides 385° horizontal rotation and vertical adjustment from 0° to 90°. Lamp focus can be locked by tightening two collar clamps using 3/32" and 7/64" hex keys.
- Standard finish is matte white with a white socket lead; also available in black and Industrial Silver matte paint finishes.
- For more information, [click here](#).

## APPLICATIONS

Fixture is suitable for wallwashing vertical surfaces in museums, galleries, showrooms, residences, offices and stores.

Fixture is suitable for 120-volt electrical service and cULus listed for mounting on a standard 4" octagonal outlet box (by others).

Artima PWG W-OBMX is a wallwasher designed for use with a Philips 12-volt, GU5.3 base, MR-16 shaped, 'WarmGlow' retrofit LED lamp (supplied by others). This lamp dims from 2700K to 2200K, providing an experience similar to the dimming profile of an incandescent lamp.

- Philips WarmGlow 6.5MR16...

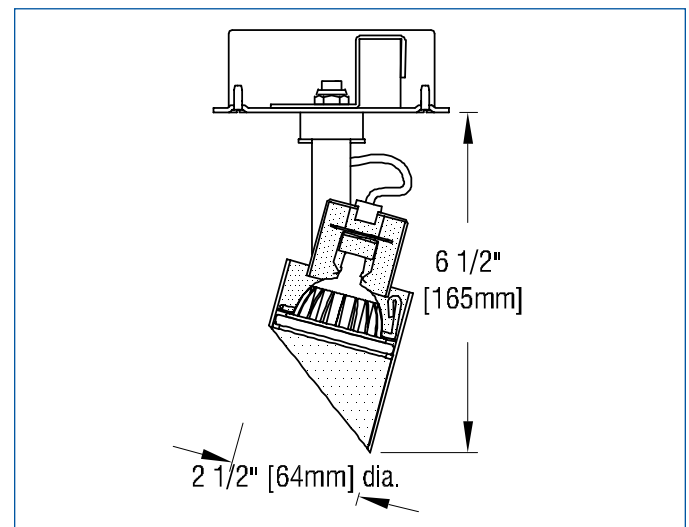
## PRODUCT CODE

Complete Product Code..... ART-MRE-W-PWG-OBMX  
standard finish: matte white with white socket lead

## OPTIONS

Specify by adding to the product code.

- matte black** housing finish  
black socket lead standard ..... – BLK
- Industrial Silver** housing finish  
black socket lead standard ..... – SIL
- custom color** paint housing finish  
specify white or black socket lead ..... – WSLV or – BSLV  
and identify color in specification ..... CCH



# ARTIMA PWG W-OBMX

---

For current lamp performance data, consult lamp manufacturer's website.