

Project

Type



Date

Product Code

Designer

MINIMAX 16E O LH-OBM

surface mounted MR16 LED open-aperture accent light



MiniMax 16E O-BM LH is a surface mounted open-aperture accent light designed for use with a 120-volt, GU10 base, 7.5 watt and 9 watt Soraa MR16-GU10 lamp, supplied by others. Additional lamps may be suitable. Contact factory with inquiries.

- Fixture is designed for mounting on a 4" octagonal outlet box (by others).
- Aperture assembly is open; for enhanced efficiency a cross-baffle is not included.
- The optical assembly consists of a black cross-baffle which reduces spill light and controls lamp brightness. This assembly is fixed in place for precise aiming and easily removed as a unit for relamping.
- A concealed swivel provides 385° horizontal rotation and vertical adjustment from 0° to 90°. The swivel is permanently tensioned, allowing the fixture to remain fixed at any aiming angle. Fixture can be fully locked in place, in both vertical and horizontal planes, simply by depressing a hinged ('lever lock') bar so that it lies flush with the top of the fixture. Locked in this way, fixture will maintain focus even when manipulated for re-lamping. Lifting the lever lock frees the swivel and allows re-aiming.
- With a 7.5 watt lamp only, fixture accepts one or two of a number of Edison Price Lighting [Optical Accessories](#), including spread lenses, a beam smoother, color filters and light reduction screens. **Alternatively, and again with a 7.5 watt lamp only**, fixture accepts Soraa Snap System optical accessories, supplied by others.
- MiniMax fixtures have seamless aluminum housings for lightweight durability and cast aluminum tops for heat dissipation. Standard finish is matte white; also available in black and Industrial Silver matte paint finishes.
- For more information, [click here](#).

PRODUCT CODE

Basic Unit MM-16E-OH-OB

OPTIONS

Specify by adding to the product code.

- matte black housing finish - BLK
- Industrial Silver housing finish - SIL
- custom color paint housing finish
identify color in specification CCH

OPTICAL ACCESSORIES

Specify as separate line items.

All are 2 3/8" (60mm) dia. Lenses and filters are glass; screens are aluminum.

- diffuse glass DGS/2.75
- prismatic lens PLS/2.75
- 55° spread lens LENS/2.75
- 40° x 70° spread lens LENS/2.75-4070
- beam smoother CLR/2.75
- color filters
 - Daylight Blue DAY/2.75
 - Surprise Pink PNK/2.75
 - blue BLU/2.75
 - green GRN/2.75
 - red RED/2.75
- 33% light reduction screen SCR33/2.75
- 50% light reduction screen SCR50/2.75

Lamp (By Others) Dimming Info

Edison Price Lighting does not include lamps and does not sell either lamps or their accessories. For dimming compatibility consult the lamp manufacturer's website.

MODIFICATIONS AVAILABLE

Contact factory with quantity for pricing; orders may require shop drawing approval.

For modified stem lengths up to 72", add the following to the end of the product code: + number of inches.



41-50 22ND STREET, LIC NY 11101 TEL 718.685.0700 FAX 718.786.8530 www.epl.com

©Copyright, Edison Price Lighting 2019

MiniMax is a pending trademark of Edison Price Lighting.


LED 0-315

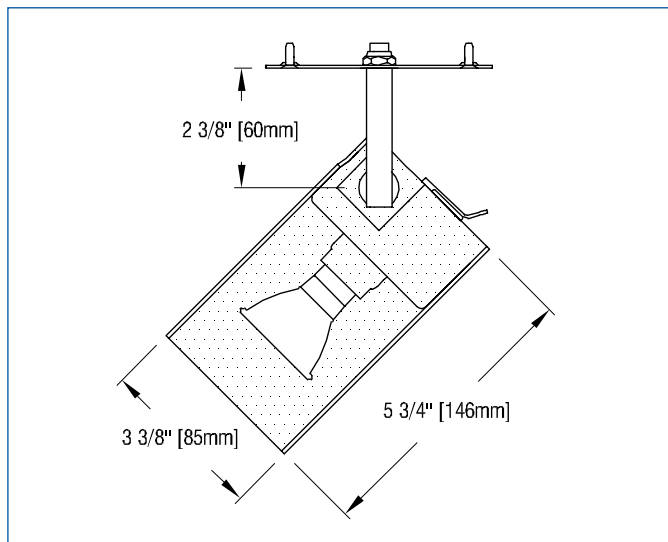
10:19

MINIMAX 16E O LH-OBM

APPLICATIONS

Fixture is suitable for highlighting vertical or horizontal surfaces, as well as objects in museums, galleries, showrooms, residences, offices and stores.

Fixture is suitable for 120-volt electrical service and is  listed for mounting on a standard 4" octagonal outlet box (by others).



For current Sora MR16-GU10 lamp performance data, consult www.soraa.com.