

Project

Type



Date

Product Code

Designer

MINIMAX™ 16E W-OBM

surface mounted wallwasher



MiniMax 16E W-OBM is a surface mounted wallwasher designed for use with a 120-volt, GU10 base, 7.5 watt Sora MR16-GU10 flood lamps, supplied by others.

- Fixture is designed for mounting on a 4" octagonal outlet box (by others).
- The optical assembly consists of a hammered aluminum reflector and a 40° x 70° spread lens. In addition, the assembly can accept one of a number of optional [Optical Accessories](#) including color filters and screens. Assembly is keyed relative to luminaire housing, to retain critical lens orientation.
- A concealed swivel provides 385° horizontal rotation and vertical adjustment from 0° to 90°. The swivel is permanently tensioned, allowing the fixture to remain fixed at any aiming angle. Fixture can be fully locked in place, in both vertical and horizontal planes, simply by depressing a hinged ('lever lock') bar so that it lies flush with the top of the fixture. Locked in this way, fixture will maintain focus even when manipulated for re-lamping. Lifting the lever lock frees the swivel and allows re-aiming.
- MiniMax fixtures have seamless aluminum housings for lightweight durability and cast aluminum tops for heat dissipation. Standard finish is matte white; also available in black and Industrial Silver matte paint finishes.
- For more information, [click here](#).

PRODUCT CODE

Basic UnitMM-16E-W-OB

OPTIONS

Specify by adding to the product code.

matte black housing finish – BLK
 Industrial Silver housing finish – SIL
 custom color paint housing finish
 identify color in specification CCH

OPTICAL ACCESSORIES

Specify as separate line items.

All are 2 3/8" (60mm) dia. Filters are glass; screens are aluminum.

color filters

Daylight Blue DAY/2.75
 Surprise Pink PNK/2.75
 blue BLU/2.75
 green GRN/2.75
 red RED/2.75
 33% light reduction screen SCR33/2.75
 50% light reduction screen SCR50/2.75

Lamp (By Others) Dimming Info

Edison Price Lighting does not include lamps and does not sell either lamps or their accessories. For dimming compatibility consult the lamp manufacturer's website.

MODIFICATIONS AVAILABLE

Contact factory with quantity for pricing; orders may require shop drawing approval.


For modified stem lengths up to 72", add the following to the end of the product code:
+ number of inches.

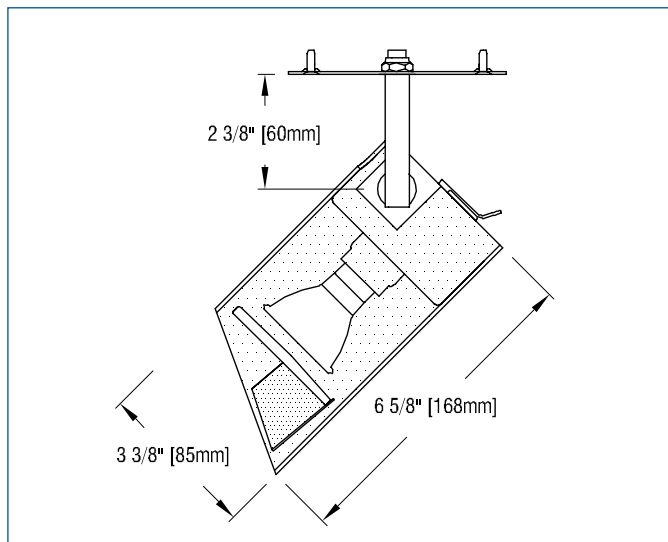


MINIMAX 16E W-OBM

APPLICATIONS

Luminaire is suitable for highlighting vertical surfaces in museums, galleries, showrooms, residences, offices and stores.

Fixture is suitable for 120-volt electrical service and is  listed for mounting on a standard 4" octagonal outlet box (by others).



For current Sora MR16-GU10 lamp performance data, consult www.soraa.com.