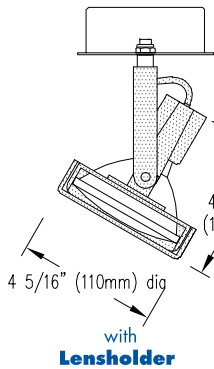
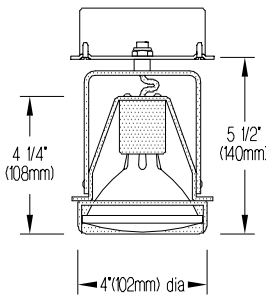


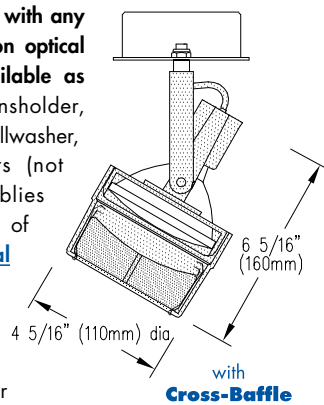
# MINIMA 30SE-OBM

surface mounted LED accent light and accessories

- **Minima 30SE-OBM is a surface mounted accent light** which has been checked for fit and initial operation with a SORAA PAR30S (short neck) LED retrofit lamps (supplied by others). The fixture provides 385° horizontal rotation and 0° to 90° vertical adjustment, and permanently tensioned swivels allow it to maintain any aiming angle. Minima 30SE-OBM is designed for mounting on a 4" octagonal outlet box (by others).

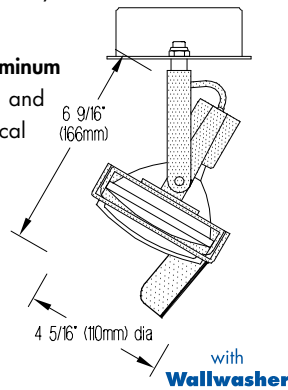


- **Minima 30-OBM fixtures may be used alone or with any one of four snap-on optical assemblies available as accessories:** lensholder, cross-baffle, wallwasher, and barn doors (not pictured). Assemblies accept one or two of a number of **Optical Accessories**.



- **The cross-baffle reduces spill light,** controls lamp brightness and allows the user to easily adjust the orientation of a lens by rotating the baffles.

- **The wallwasher consists of a peened aluminum reflector and a 40° x 70° spread lens,** and provides uniform illumination on vertical surfaces.



- **Standard finish is matte white with a white socket lead;** also available in black and Industrial Silver matte paint finishes.

- **For more information, [click here](#).**

## APPLICATIONS

Fixtures are suitable for 120-volt electrical service and cULus listed for mounting on a standard 4" octagonal outlet box (by others).



## PRODUCT CODE

Complete Product Code.....MIN 30-OBM  
standard finish: matte white with white socket lead

## OPTIONS

Specify by adding to the product code.

**matte black** housing finish ..... – BLK  
black socket lead

**Industrial Silver** housing finish ..... – SIL  
black socket lead

**custom color** paint housing finish  
specify white or black socket lead ..... – WSLV or – BSLV  
and identify color in specification ..... CCH

## ACCESSORIES

Specify as separate line items.

**lensholder** (no lens included) ..... LH30

**cross-baffle** (no lens included) ..... XB30

**wallwasher** (with 40° x 70° spread lens) ..... WW30

**barn doors** (no lens included) (not pictured)  
standard finish is matte black paint on all surfaces;  
other paint finish schemes available on special order ..... BD30

## OPTICAL ACCESSORIES

Specify as separate line items; only for use with one of the Accessories above.  
All are 3 3/4" (95mm) dia. Lenses and filters are glass; screens are aluminum.

**55° spread lens** ..... LENS/3.75

**40° x 70° spread lens**  
(one included with each wallwasher) ..... LENS/3.75-4070

**prismatic lens** (Solite) ..... PLS/3.75

**beam smoother** ..... CLR/3.75

**UV filter** ..... UVF/3.75

### color filters

Daylight Blue ..... DAY/3.75

Surprise Pink ..... PNK/3.75

amber ..... AMB/3.75

blue ..... BLU/3.75

green ..... GRN/3.75

red ..... RED/3.75

**33% light reduction screen** ..... SCR33/3.75

**50% light reduction screen** ..... SCR50/3.75

### Lamps By Others

Edison Price Lighting does not include lamps and does not sell either lamps or their accessories.

### Dimming

For dimming compatibility consult the lamp manufacturer's website.

### Wireless Limitations

The wireless range of lamped fixtures will vary with lamp and site conditions

# MINIMA 30SE-OBM

---



For current lamp performance data, consult lamp manufacturer's website.