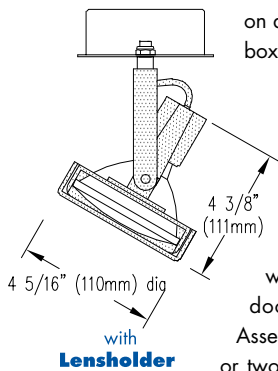
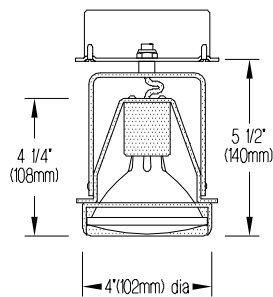


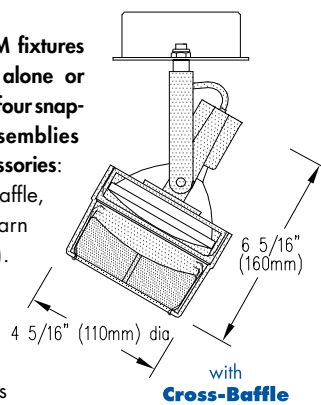
MINIMA 30SE-OBM

surface mounted LED accent light and accessories

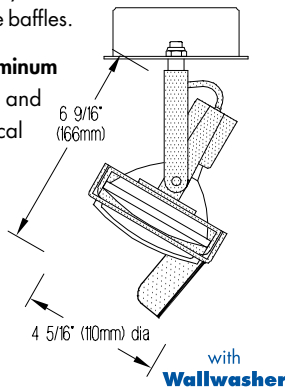
- Minima 30SE-OBM is a multi-function surface mounted fixture which has been checked for fit and initial operation with a SORAA PAR30S (short neck) LED retrofit lamps (supplied by others). The fixture provides 385° horizontal rotation and 0° to 90° vertical adjustment, and permanently tensioned swivels allow it to maintain any aiming angle. Minima 30SE-OBM is designed for mounting on a 4" octagonal outlet box (by others).



- Minima 30-OBM fixtures may be used alone or with any one of four snap-on optical assemblies available as accessories: lensholder, cross-baffle, wallwasher, and barn doors (not pictured). Assemblies accept one or two of a number of **Optical Accessories**.



- The cross-baffle reduces spill light, controls lamp brightness and allows the user to easily adjust the orientation of a lens by rotating the baffles.
- The wallwasher consists of a peened aluminum reflector and a 40° x 70° spread lens, and provides uniform illumination on vertical surfaces.
- Standard finish is matte white with a white socket lead; also available in black and Industrial Silver matte paint finishes.
- For more information, [click here](#).



APPLICATIONS

Fixtures are suitable for 120-volt electrical service and cULus listed for mounting on a standard 4" octagonal outlet box (by others).



PRODUCT CODE

Complete Product Code.....MIN 30-OBM
standard finish: matte white with white socket lead

OPTIONS

Specify by adding to the product code.

- matte black housing finish – BLK
black socket lead
- Industrial Silver housing finish – SIL
black socket lead
- custom color paint housing finish
specify white or black socket lead – WSLV or – BSLV
and identify color in specification CCH

ACCESSORIES

Specify as separate line items.

- lensholder (no lens included) LH30
- cross-baffle (no lens included) XB30
- wallwasher (with 40° x 70° spread lens) WW30
- barn doors (no lens included) (not pictured)
standard finish is matte black paint on all surfaces;
other paint finish schemes available on special order BD30

OPTICAL ACCESSORIES

Specify as separate line items; only for use with one of the Accessories above. All are 3 3/4" (95mm) dia. Lenses and filters are glass; screens are aluminum.

- 55° spread lens LENS/3.75
- 40° x 70° spread lens
(one included with each wallwasher) LENS/3.75-4070
- prismatic lens (Solite) PLS/3.75
- beam smoother CLR/3.75
- UV filter UVF/3.75
- color filters
 - Daylight Blue DAY/3.75
 - Surprise Pink PNK/3.75
 - amber AMB/3.75
 - blue BLU/3.75
 - green GRN/3.75
 - red RED/3.75
- 33% light reduction screen SCR33/3.75
- 50% light reduction screen SCR50/3.75

Lamps By Others
Edison Price Lighting does not include lamps and does not sell either lamps or their accessories.

Dimming
For dimming compatibility consult the lamp manufacturer's website.

Wireless Limitations
The wireless range of lamped fixtures will vary with lamp and site conditions

MINIMA 30SE-OBM



For current lamp performance data, consult lamp manufacturer's website.