

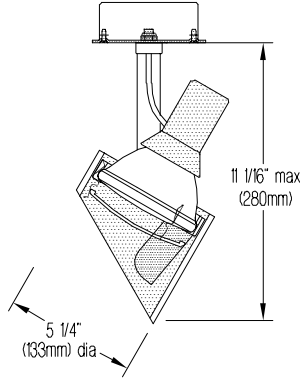


ARTIMA® 38E W-OBM

surface mounted PAR 38 LED wallwasher

FEATURES

- **Artima 38E W-OBM is a wallwasher** which has been checked for fit and initial operation with the following PAR 38 LED retrofit lamps (supplied by others):
 - KETRA S38
 - Soraa PAR38
 - GE PAR38
 - TCP Allusion PAR38, dim-to-warm
 - Additional lamps may be suitable. Contact factory with inquiries.
- **Fixture is designed for mounting on a 4" octagonal outlet box** (by others).
- **The optical assembly for Artima 38 W-OBM consists of an internal specular reflector and a 40° x 70° spread lens.** This assembly and its setting, is entirely undisturbed by relamping.
- **A flared socket cap and light shield ring prevent any backsplash of light onto the ceiling.**
- **Artima 38E W-OBM fixtures provide 385° horizontal rotation and vertical adjustment from 0° to 90°.** Lamp focus can be locked by tightening two collar clamps using a 1/64" hex key.
- **Artima 38E W-OBM fixtures accept one or two of a number of [Optical Accessories](#)** including color filters and light reduction screens.
- **Standard finish is matte white with a white socket lead;** also available in black and Industrial Silver matte paint finishes.
- **For more information, [click here](#).**



APPLICATIONS

Fixtures are suitable for 120-volt electrical service and cULus listed for mounting on a standard 4" octagonal outlet box (by others).

LAMPS BY OTHERS

Edison Price Lighting does not include lamps and does not sell either lamps or their accessories.

DIMMING

For dimming compatibility consult the lamp manufacturer's website.

WIRELESS LIMITATIONS

The wireless range of lamped fixtures will vary with lamp and site conditions.

PRODUCT CODE

Complete Product Code ART 38 W-OBM
 standard finish: matte white with white socket lead

OPTIONS

Specify by adding to the product code.

matte black housing finish

black socket lead standard – BLK

Industrial Silver housing finish

black socket lead standard – SIL

custom color paint housing finish

specify white or black socket lead – WSLV or – BSLV
 and identify color in specification CCH

OPTICAL ACCESSORIES

Specify as separate line items.

All are 4 3/4" (121mm) dia. Lenses and filters are glass; screens are aluminum.

40° x 70° spread lens (included with fixture) LENS/4.75-4070

color filters

Daylight Blue DAY/4.75

Surprise Pink PNK/4.75

amber AMB/4.75

blue BLU/4.75

green GRN/4.75

red RED/4.75

33% light reduction screen SCR33/4.75

50% light reduction screen SCR50/4.75



ARTIMA 38E W-OBM



For current lamp performance data, consult lamp manufacturer's website.