

Project

Date Product Code

THREE MRE DL

recessed downlight

Type

Designer



MADE IN USA

[Click Here](#)

FEATURES

- **Three MRE DL is a 3" aperture downlight** designed for use with 12-volt, GU5.3 base, MR16-shaped retrofit LED lamps (supplied by others) including:
 - Cree 8.7 watt MR16-50W.... or
 - Philips 6.6 watt 6.6MR16/LED.... or 7.0 watt 7MR16/LED...
 - SORAA 7.5 watt or 9.0 watt Brilliant or Vivid
- **Reflector design minimizes aperture brightness with a shielding angle of 40°.** Recess depth is only 6".
- **If used with one of the five lamps above which draw 7.5 watts or less,** fixture accepts one of a number of [Optical Accessories](#) including spread lenses, a beam smoother and color filters.
- **If used with a SORAA 10° lamp,** SORAA Snap System accessories may be applied to lamp.
- **Reflectors are available in three clear natural aluminum finishes** — semi-specular (C), slightly diffuse (V) or fully diffuse (EC) — as well as champagne gold or black Alzak®. Other reflector finishes are available on special order.
- **Fixture includes a pair of mounting bars** (3/4" x 27" C channel). Specialty bars for wood joist and T-bar installations are also available.
- **For more information,** [click here](#).

APPLICATIONS

Fixture is recommended for downlighting or accent lighting in stores, offices, museums, restaurants, showrooms, residences and hotels.

Fixture is listed for Damp Location. Fixture includes an integral electronic transformer. Fixture is prewired with thermal protector, suitable for use in a fire rated ceiling and approved for ten #12 wire 90°C branch circuit pull-through wiring.

Removal of the reflector allows access to the transformer and junction box.



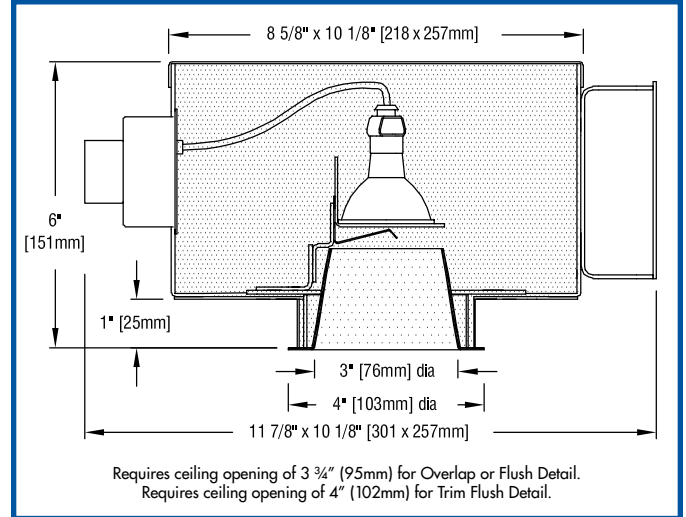
LIGHTPLATE

A LightPlate may be used instead of a standard reflector.



Lamp (By Others) Dimming Info

Edison Price Lighting does not include lamps and does not sell either lamps or their accessories. For dimming compatibility consult the lamp manufacturer's website.



PRODUCT CODE

For complete product code, list basic unit and select one item from each following box.

Basic Unit	THREE-MRE-DL	
Reflector Color and Detail	Overlap	Trim Flush*
Semi-specular Clear	COL.....	CTF
Slightly diffuse Clear	VOL.....	VTF
Fully diffuse Clear	ECOL.....	ECTF
Champagne Gold	GOL	GTF
Black	BOL.....	BTF
Other reflector finishes available on special order.		
Standard reflector flange continues reflector finish. White painted flanges and custom painted flanges are available on special order. Add WF (white flange) or CCF (custom color flange).		
*Trim Flush reflector trim requires the use of a plaster ring Accessory (see below).		
▶ Reflectors detailed for metal or wood ceilings available on special order.		
A LightPlate may be ordered instead of a standard reflector above.		
LightPlate Downlight Spot, white.....	DP3-OL	DP3-TF
Custom painted trims for LightPlate are available on special order. Add -CC		

ACCESSORIES

 Specify as a separate line item.

Plaster ring allows use of 3 3/4" OD Trim Flush (-TF) reflector in sheetrock ceiling; 4" dia hole required.....TF RING/3

OPTICAL ACCESSORIES

 ▶ over, please

OPTICAL ACCESSORIES

Specify as separate line items. All are 2 3/8" (60mm) diameter. Lenses and filters are glass; screens are aluminum.

diffuse glass not for use with Soraa 9.0 watt lamps DGS/2.375	color filters
prismatic lens (Solite) not for use with Soraa 9.0 watt lamps PLS/2.375	Daylight Blue not for use with Soraa 9.0 watt lamps DAY/2.375
55° spread lens not for use with Soraa 9.0 watt lamps LENS/2.375	Surprise Pink not for use with Soraa 9.0 watt lamps PNK/2.375
40°x70° spread lens not for use with Soraa 9.0 watt lamps LENS/2.375-4070	amber not for use with Soraa 9.0 watt lamps AMB/2.375
beam smoother not for use with Soraa 9.0 watt lamps CLR/2.375	blue not for use with Soraa 9.0 watt lamps BLU/2.375
33% light reduction screen ... not for use with Soraa 9.0 watt lamps SCR33/2.375	green not for use with Soraa 9.0 watt lamps GRN/2.375
50% light reduction screen ... not for use with Soraa 9.0 watt lamps SCR50/2.375	red not for use with Soraa 9.0 watt lamps RED/2.375

For current lamp performance data, consult lamp manufacturer's website.