


# THREE MRE AA

recessed MR16 LED accent light

## FEATURES

- **Three MRE AA is a 3" aperture accent light** designed for use with a 12-volt, GU5.3 base, MR16-shaped retrofit LED lamp (supplied by others) including:
  - Cree 8.7 watt MR16-50W
  - Philips 6.6 watt 6.6MR16/LED  
7.0 watt 7MR16/LED
  - Philips 6.5 watt WarmGlow  
6.5MR16, dim-to-warm
  - Soraa 7.5 watt or 9.0 watt Brilliant or Vivid LED
  - Additional lamps may be suitable. Contact factory with inquiries.
- **Conical reflectors, cut at 15°, minimizes aperture brightness.** Fixture provides 365° horizontal rotation and 0 – 40° angular lamp adjustment.
- **The fixture provides easy one-finger adjustment of both tilt and rotation after lamping.** Once focused, the adjustment can be locked in place by means of a lever and a wing nut.
- **If used with a retrofit LED lamp which draws 7.5 watts or less,** fixture accepts one of a number of **Optical Accessories** including spread lenses, a beam smoother and color filters.
- **If used with a Soraa 10° lamp,** Soraa Snap System accessories may be applied to lamp.
- **Standard reflectors are cut at 15°.** A reflector cut at 25° is available as an option. Reflectors cut at 25° are recommended for tilting the lamp between 30° and 40°.
- **Reflectors are available in three clear natural aluminum finishes** — semi-specular (C), slightly diffuse (V) or fully diffuse (EC) — as well as champagne gold or black Alzak®. Other reflector finishes are available on special order.
- **Housing is constructed from 20-gauge electro-zinc, polyester-coated steel** in Edison Price Lighting's American factory.
- **Fixture includes a pair of mounting bars (3/4" x 27" C channel).** Specialty bars for wood joist and T-bar installations are also available.
- **For more information, [click here.](#)**

## APPLICATIONS

Fixture is  listed for Damp Location. Fixture includes an integral electronic transformer. Fixture is prewired with thermal protector, suitable for use in a fire rated ceiling and approved for ten #12 wire 90°C branch circuit pull-through wiring.

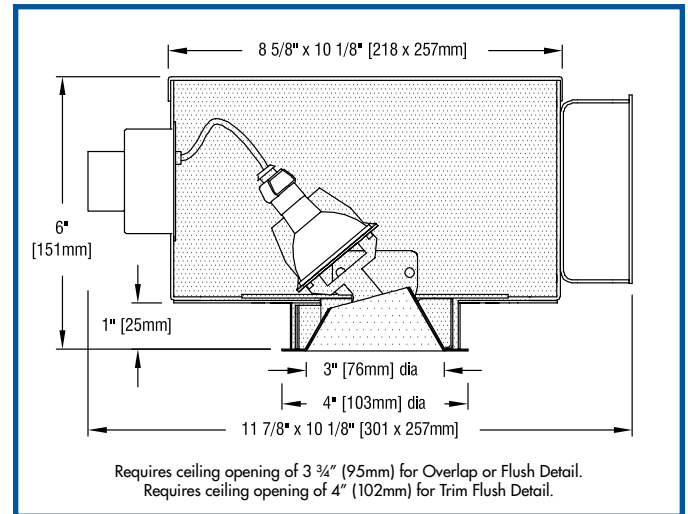


Removal of the reflector allows access to the transformer and junction box.

### Lamp (By Others) Dimming Info

Edison Price Lighting does not include lamps and does not sell either lamps or their accessories. For dimming compatibility consult the lamp manufacturer's website.

Install-from-below model, see [PRESTO THREE MRE AA.](#)



## PRODUCT CODE

For complete product code, list basic unit and select one item from each following box.

Basic Unit ..... THREE-MRE-AA

Reflector Color and Detail	Overlap	Trim Flush*
Semi-specular Clear.....	COL.....	CTF
Slightly diffuse Clear.....	VOL.....	VTF
Fully diffuse Clear.....	ECOL.....	ECTF
Champagne Gold.....	GOL.....	GTF
Black.....	BOL.....	BTF
Other reflector finishes available on special order.		

Standard reflector flange continues reflector finish. White painted flanges and custom painted flanges are available on special order. Add WF (white flange) or CCF (custom color flange).

\*Trim Flush reflector trim requires the use of a plaster ring Accessory (see below).

► Reflectors detailed for metal or wood ceilings available on special order.

LightPlates may be ordered instead of the standard reflectors above.

LightPlate Downlight Spot, white .....	DP3-OL.....	DP3-TF
LightPlate Accent Spot, white .....	AP3-OL.....	AP3-TF
LightPlate Accent Slot, white .....	AL3-OL.....	AL3-TF
Custom painted trims for LightPlate are available on special order. Add -CC		

## OPTIONS Specify by adding to the basic unit.

25° cut reflector (standard reflector is 15° cut).....-25

## ACCESSORIES Specify as a separate line item.

Plaster ring allows use of 3 3/4" OD Trim Flush (-TF) reflector in sheetrock ceiling; 4" dia hole required.....TF RING/3

## OPTICAL ACCESSORIES ▼ See next page

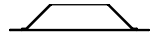
## LIGHTPLATES ▼ See next page



## LIGHTPLATE *LightPlate may be used instead of standard reflectors.*



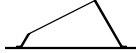
LIGHTPLATE  
DOWNLIGHT SPOT



*straight-cut baffle  
for downlighting*



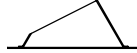
LIGHTPLATE  
ACCENT SPOT



*angle-cut baffle  
for accent lighting*



LIGHTPLATE  
ACCENT SLOT



*angle-cut baffle  
for accent lighting*

### OPTICAL ACCESSORIES

*Specify as separate line items. All are 2<sup>3</sup>/<sub>8</sub>" (60mm) diameter.*

Not for use with an 8-watt or greater lamp

For current lamp performance data, consult lamp manufacturer's website.