

Project

Date Product Code

THREE MRE WL

recessed MR16 LED wallwasher

Type

Designer



FEATURES

- **Three MRE WL is a 3" aperture lensed wallwasher** designed for use with a 12-volt, GU5.3 base, MR16-shaped retrofit LED lamp (supplied by others) including:
 - Cree 8.7 watt MR16-50W
 - Philips 6.6 watt 6.6MR16/LED
7.0 watt 7MR16/LED
 - Philips 6.5 watt WarmGlow
6.5MR16, dim-to-warm
 - Soraa 7.5 watt or 9.0 watt Brilliant or Vivid LED
 - Additional lamps may be suitable. Contact factory with inquiries.
- **The optical assembly consists of a lamp holder, an internal reflector, a 40° x 70° glass spread lens and an external reflector.** Precise optical design provides uniform illumination on vertical surfaces up to the ceiling line and minimizes aperture brightness. The optical assembly provides 360° horizontal rotation and may be removed from the fixture housing as a unit for easy relamping.
- **Reflectors are available in three clear natural aluminum finishes** — semi-specular (C), slightly diffuse (V) or fully diffuse (EC) — as well as champagne gold or black Alzak®. Other reflector finishes are available on special order.
- **Housing is constructed from 20-gauge electro-zinc, polyester-coated steel** in Edison Price Lighting's American factory.
- **Fixture includes a pair of mounting bars (3/4" x 27" C channel).** Specialty bars for wood joist and T-bar installations are also available.
- **For more information, [click here](#).**

APPLICATIONS

Fixture is listed for Damp Location. Fixture includes an integral electronic transformer. Fixture is prewired with thermal protector, suitable for use in a fire rated ceiling and approved for ten #12 wire 90°C branch circuit pull-through wiring.

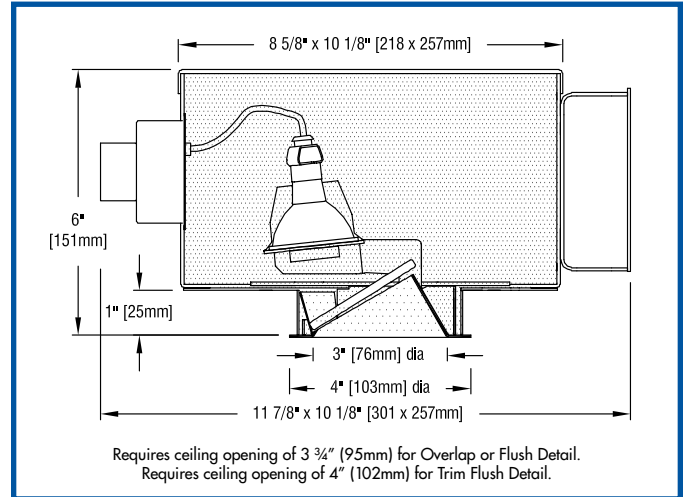


Removal of the reflector allows access to the transformer and junction box.

Lamp (By Others) Dimming Info

Edison Price Lighting does not include lamps and does not sell either lamps or their accessories. For dimming compatibility consult the lamp manufacturer's website.

Install-from-below model, see [PRESTO THREE MRE WL](#)



PRODUCT CODE

For complete product code, list basic unit and select one item from each following box.

Basic Unit THREE-MRE-WL

Reflector Color and Detail	Overlap	Trim Flush*
Semi-specular Clear.....	COL.....	CTF
Slightly diffuse Clear.....	VOL.....	VTF
Fully diffuse Clear.....	ECOL.....	ECTF
Champagne Gold.....	GOL.....	GTF
Black.....	BOL.....	BTF
Other reflector finishes available on special order.		

Standard reflector flange continues reflector finish. White painted flanges and custom painted flanges are available on special order. Add WF (white flange) or CCF (custom color flange).

*Trim Flush reflector trim requires the use of a plaster ring Accessory (see below).

► Reflectors detailed for metal or wood ceilings available on special order.

ACCESSORIES

 Specify as a separate line item.

Plaster ring allows use of 3 3/4" OD Trim Flush (-TF) reflector in sheetrock ceiling; 4" dia hole requiredTF RING/3



For current lamp performance data, consult lamp manufacturer's website.