

Project

Type



Date Product Code

Designer

ANGLUX® MRE/4

recessed accent light

FEATURES

Anglux MRE/4 is a 4" aperture accent light designed for use with 12-volt, GU5.3 base, MR16-shaped retrofit LED lamps (supplied by others) including:

- Cree 8.7 watt MR16-50W.... or
- Philips 6.6 watt 6.6MR16/LED.... or 7.0 watt 7MR16/LED...
- SORAA 7.5 watt or 9.0 watt Brilliant or Vivid

Conical reflector, cut at 15°, minimizes aperture brightness. Fixture provides 362° horizontal rotation and 0 – 45° angular lamp adjustment. Lamp is concentric with the aperture at 0°, allowing fixture to be used as a downlight. An optional downlight reflector, cut at 0°, is also available. Recess depth is only 6 3/4".

The fixture provides easy one-finger adjustment of both tilt and rotation after lamping. Once focused, the adjustment can be locked in place.

If used with one of the five lamps above which draw 7.5 watts or less, fixture accepts one of a number of Optical Accessories including spread lenses, a beam smoother and color filters.

If used with a SORAA 10° lamp, SORAA Snap System accessories may be applied to lamp.

Reflectors are available in three clear natural aluminum finishes — semi-specular (C), slightly diffuse (V) or fully diffuse (EC) — as well as champagne gold or black Alzak®. Other reflector finishes are available on special order. LightCharms® or LightPlate™ decorative trims may be ordered instead of standard reflectors.

Fixture includes a pair of mounting bars (3/4" x 27" C channel). Specialty bars for wood joist and T-bar installations are also available.

APPLICATIONS

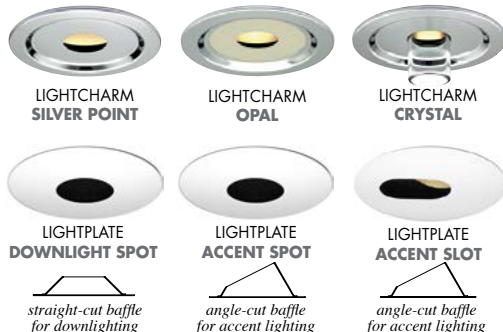
Fixture is recommended for directional accent and display highlighting in stores, offices, museums, restaurants, showrooms, residences and hotels.

Standard fixture is cULus listed for Damp Location. Fixture includes an integral electronic transformer. Fixture is prewired with thermal protector, suitable for use in a fire rated ceiling and approved for ten #12 wire 90°C branch circuit pull-through wiring. Removal of the reflector allows access to the transformer and junction box.



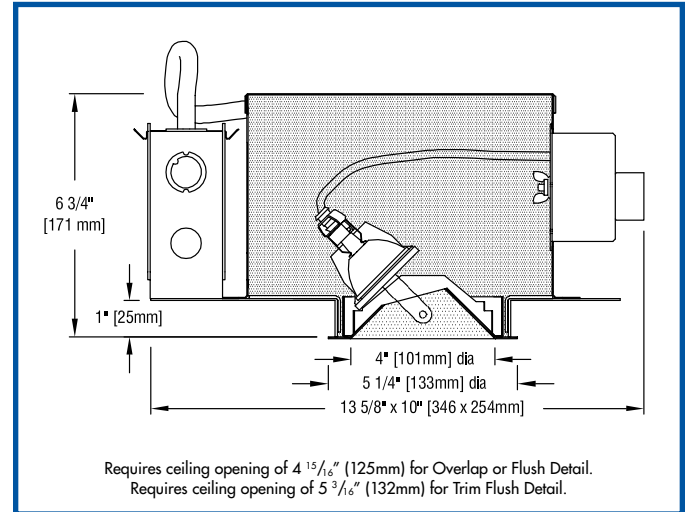
LIGHTCHARMS & LIGHTPLATES

LightCharms and LightPlates may be used instead of standard reflectors.



Lamp (By Others) Dimming Info

Edison Price Lighting does not include lamps and does not sell either lamps or their accessories. For dimming compatibility consult the lamp manufacturer's website.



PRODUCT CODE

For complete product code, list basic unit and select one item from each following box.

Basic Unit	FOUR-MRE-AA	
Reflector Color and Detail	Overlap	Trim Flush*
Semi-specular Clear	COL	CTF
Slightly diffuse Clear	VOL	VTF
Fully diffuse Clear	ECOL	ECTF
Champagne Gold	GOL	GTF
Black	BOL	BTF
Other reflector finishes available on special order.		
Standard reflector flange continues reflector finish. White painted flanges and custom painted flanges are available on special order. Add WF (white flange) or CCF (custom color flange).		
*Trim Flush reflector trim requires the use of a plaster ring Accessory (see below).		
▶ Reflectors detailed for metal or wood ceilings available on special order.		
LightCharms or LightPlate may be ordered instead of the standard reflectors above.		
LightCharm Silver Point	LC-SP	
LightCharm Opal	LC-O	
LightCharm Crystal	LC-C	
LightPlate Downlight Spot, white	DP-OL	DP-TF
LightPlate Accent Spot, white	AP-OL	AP-TF
LightPlate Accent Slot, white	AL-OL	AL-TF
Custom painted trims for LightPlate are available on special order. Add -CC		

OPTIONS Specify by adding to the basic unit.

0° cut downlight reflector	0
----------------------------------	---

ACCESSORIES Specify as a separate line item.

Plaster ring allows use of 4 7/8" OD Trim Flush (-TF) reflector in sheetrock ceiling; 5 3/16" dia hole required.....	TF RING/4
--	-----------

OPTICAL ACCESSORIES ▼ See next page



OPTICAL ACCESSORIES

Specify as separate line items. All are 2 3/8" (60mm) diameter. Lenses and filters are glass; screens are aluminum.

diffuse glass not for use with Soraa 9.0 watt lamps DGS/2.375	color filters
prismatic lens (Solite) not for use with Soraa 9.0 watt lamps PLS/2.375	Daylight Blue not for use with Soraa 9.0 watt lamps DAY/2.375
55° spread lens not for use with Soraa 9.0 watt lamps LENS/2.375	Surprise Pink not for use with Soraa 9.0 watt lamps PNK/2.375
40°x70° spread lens not for use with Soraa 9.0 watt lamps LENS/2.375-4070	amber not for use with Soraa 9.0 watt lamps AMB/2.375
beam smoother not for use with Soraa 9.0 watt lamps CLR/2.375	blue not for use with Soraa 9.0 watt lamps BLU/2.375
33% light reduction screen ... not for use with Soraa 9.0 watt lamps SCR33/2.375	green not for use with Soraa 9.0 watt lamps GRN/2.375
50% light reduction screen ... not for use with Soraa 9.0 watt lamps SCR50/2.375	red not for use with Soraa 9.0 watt lamps RED/2.375

For current lamp performance data, consult lamp manufacturer's website.