

FOUR MRE AA

recessed MR16 LED accent light

FEATURES

- FOUR MRE AA is a 4" aperture accent light** designed for use with a 12-volt, GU5.3 base, MR16-shaped retrofit LED lamp (supplied by others) including:
 - Cree 8.7 watt MR16-50W
 - Philips 6.6 watt 6.6MR16/LED 7.0 watt 7MR16/LED
 - Philips 6.5 watt WarmGlow 6.5MR16, dim-to-warm
 - Soraa 7.5 watt or 9.0 watt Brilliant or Vivid LED
 - Additional lamps may be suitable. Contact factory with inquiries.
- Conical reflector, cut at 15°, minimizes aperture brightness.** Fixture provides 362° horizontal rotation and 0 – 45° angular lamp adjustment. Lamp is concentric with the aperture at 0°, allowing fixture to be used as a downlight. An optional downlight reflector, cut at 0°, is also available.
- The fixture provides easy one-finger adjustment** of both tilt and rotation after lamping. Once focused, the adjustment can be locked in place.
- If used with a retrofit LED lamp which draws 7.5 watts or less,** fixture accepts one of a number of [Optical Accessories](#) including spread lenses, a beam smoother and color filters.
- If used with a Soraa 10° lamp,** Soraa Snap System accessories may be applied to lamp.
- Reflectors are available in three clear natural aluminum finishes** — semi-specular (C), slightly diffuse (V) or fully diffuse (EC) — as well as champagne gold or black Alzak®. Other reflector finishes are available on special order. LightCharms® or LightPlate™ decorative trims may be ordered instead of standard reflectors.
- Housing is constructed from 20-gauge electro-zinc, polyester-coated steel** in Edison Price Lighting's American factory. Heavy-gauge metals, an additional protective coating, and American manufacturing guarantees long-lasting durability.
- Fixture includes a pair of mounting bars (3/4" x 27" C channel).** Specialty bars for wood joist and T-bar installations are also available.
- For more information, [click here.](#)**

APPLICATIONS

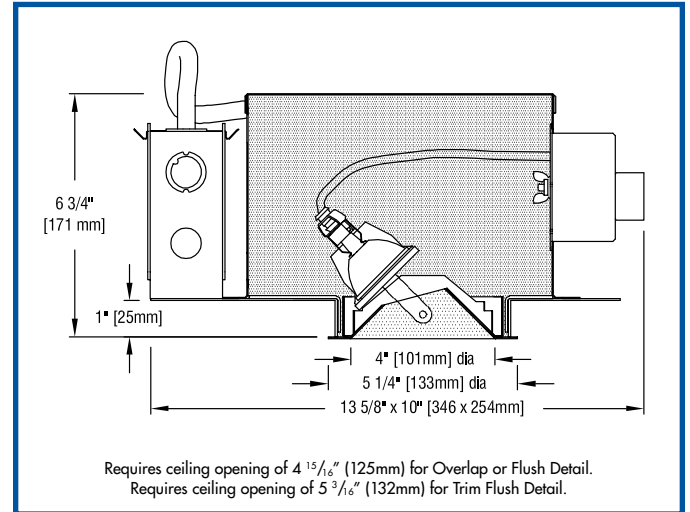
Standard fixture is listed for Damp Location. Fixture includes an integral electronic transformer. Fixture is prewired with thermal protector, suitable for use in a fire rated ceiling and approved for ten #12 wire 90°C branch circuit pull-through wiring. Removal of the reflector allows access to the transformer and junction box.



Lamp (By Others) Dimming Info

Edison Price Lighting does not include lamps and does not sell either lamps or their accessories. For dimming compatibility consult the lamp manufacturer's website.

- **Install-from-below,** see [PRESTO MRE/4 AA](#)
- **Wet Location,** see [Wet Location FOUR MRE/4 AA](#)



PRODUCT CODE

For complete product code, list basic unit and select one item from each following box.

Basic Unit	FOUR-MRE-AA	
Reflector Color and Detail	Overlap	Trim Flush*
Semi-specular Clear.....	COL.....	CTF
Slightly diffuse Clear.....	VOL.....	VTF
Fully diffuse Clear.....	ECOL.....	ECTF
Champagne Gold.....	GOL.....	GTF
Black.....	BOL.....	BTF
Other reflector finishes available on special order.		
Standard reflector flange continues reflector finish. White painted flanges and custom painted flanges are available on special order. Add WF (white flange) or CCF (custom color flange).		
*Trim Flush reflector trim requires the use of a plaster ring Accessory (see below).		
▶ Reflectors detailed for metal or wood ceilings available on special order.		
LightCharms or LightPlate may be ordered instead of the standard reflectors above.		
LightCharm Silver Point	LC-SP	
LightCharm Opal	LC-O	
LightCharm Crystal	LC-C	
LightPlate Downlight Spot , white	DP-OL.....	DP-TF
LightPlate Accent Spot , white	AP-OL.....	AP-TF
LightPlate Accent Slot , white	AL-OL.....	AL-TF
Custom painted trims for LightPlate are available on special order. Add -CC		

OPTIONS Specify by adding to the basic unit.

0° cut downlight reflector	0
---	---

ACCESSORIES Specify as a separate line item.

Plaster ring allows use of 4 7/8" OD Trim Flush (-TF) reflector in sheetrock ceiling; 5 3/16" dia hole required.....	TF RING/4
---	-----------

OPTICAL ACCESSORIES ▼ See next page

LIGHTCHARMS & LIGHTPLATES

▼ See next page



LIGHTCHARMS & LIGHTPLATE

LightCharms and LightPlate may be used instead of standard reflectors.



LIGHTCHARM
SILVER POINT



LIGHTCHARM
OPAL



LIGHTCHARM
CRYSTAL



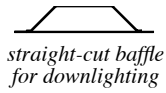
LIGHTPLATE
DOWNLIGHT SPOT



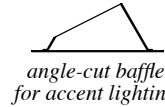
LIGHTPLATE
ACCENT SPOT



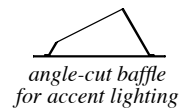
LIGHTPLATE
ACCENT SLOT



*straight-cut baffle
for downlighting*



*angle-cut baffle
for accent lighting*



*angle-cut baffle
for accent lighting*

OPTICAL ACCESSORIES

Specify as separate line items. All are 2 3/8"

Not for use with an 8-watt or greater lamp

For current lamp performance data, consult lamp manufacturer's website.