

Project

Type



Date

Product Code

Designer

DARKLITE® WASHLITE® MRE/4

recessed wallwasher

FEATURES

Darklite Washlite MRE/4 is a 4" aperture accent light designed for use with 12-volt, GU5.3 base, MR16-shaped retrofit LED lamps (supplied by others) including:

- Cree 8.7 watt MR16-50W.... or
- Philips 6.6 watt 6.6MR16/LED.... or 7.0 watt 7MR16/LED...
- SORAA 7.5 watt or 9.0 watt Brilliant or Vivid

Recess depth is only 6 3/4".


The optical assembly consists of a lamp holder, an internal reflector, a 40° x 70° glass spread lens and an external reflector. Precise optical design provides uniform illumination on vertical surfaces up to the ceiling line and minimizes aperture brightness. The optical assembly provides 360° horizontal rotation and may be removed from the fixture housing as a unit for easy relamping.

Reflectors are available in three clear natural aluminum finishes — semi-specular (C), slightly diffuse (V) or fully diffuse (EC) — as well as champagne gold or black Alzak®. Other reflector finishes are available on special order.

Fixture includes a pair of mounting bars (3/4" x 27" C channel). Specialty bars for wood joist and T-bar installations are also available.

APPLICATIONS

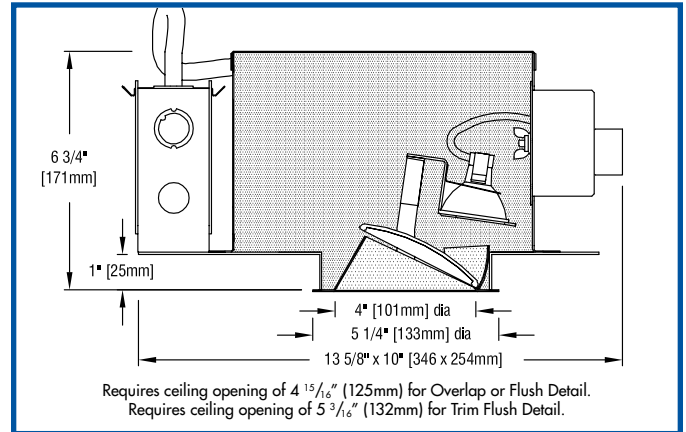
Fixture is recommended for wallwashing in stores, offices, museums, restaurants, showrooms, residences and hotels.

Standard fixture is  listed for Damp Location. Fixture includes an integral electronic transformer. Fixture is prewired with thermal protector, suitable for use in a fire rated ceiling and approved for ten #12 wire 90°C branch circuit pull-through wiring. Removal of the reflector allows access to the transformer and junction box.



Lamp (By Others) Dimming Info

Edison Price Lighting does not include lamps and does not sell either lamps or their accessories. For dimming compatibility consult the lamp manufacturer's website.



PRODUCT CODE

For complete product code, list basic unit and select one item from each following box.

Basic UnitFOUR-MRE-WL

Reflector Color and Detail	Overlap	Trim Flush*
Semi-specular Clear.....	COL	CTF
Slightly diffuse Clear.....	VOL	VTF
Fully diffuse Clear.....	ECOL	ECTF
Champagne Gold	GOL	GTF
Black	BOL	BTF

Other reflector finishes available on special order.
Standard reflector flange continues reflector finish. White painted flanges and custom painted flanges are available on special order. Add WF (white flange) or CCF (custom color flange).
*Trim Flush reflector trim requires the use of a plaster ring Accessory (see below).
▶ Reflectors detailed for metal or wood ceilings available on special order.

ACCESSORIES

Specify as a separate line item.

Plaster ring allows use of 4 7/8" OD Trim Flush (-TF) reflector in sheetrock ceiling; 5 3/16" dia hole required.....TF RING/4



DARKLITE WASHLITE MRE/4



For current lamp performance data, consult lamp manufacturer's website.