

Project

Type



MADE IN USA

[Click Here](#)

Date

Product Code

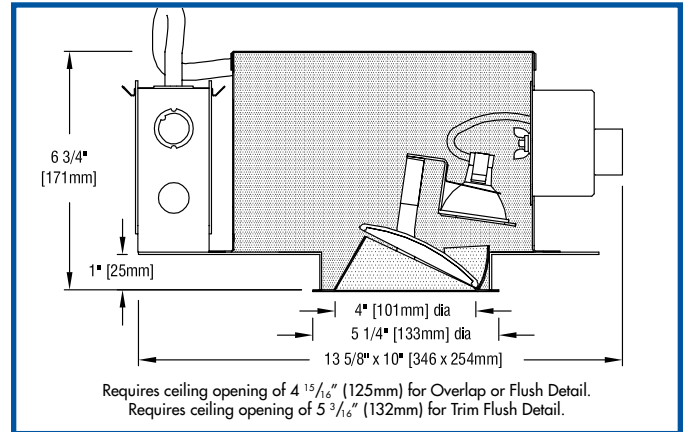
Designer

FOUR MRE WL

recessed MR16 LED wallwasher

FEATURES

- **FOUR MRE WL is a 4" aperture wallwasher** designed for use with a 12-volt, GU5.3 base, MR16-shaped retrofit LED lamp (supplied by others) including:
 - Cree 8.7 watt MR16-50W
 - Philips 6.6 watt 6.6MR16/LED
7.0 watt 7MR16/LED
 - Philips 6.5 watt WarmGlow
6.5MR16, dim-to-warm
 - Soraa 7.5 watt or 9.0 watt Brilliant or Vivid LED
 - Additional lamps may be suitable. Contact factory with inquiries.
- **The optical assembly consists of a lamp holder, an internal reflector, a 40° x 70° glass spread lens and an external reflector.** Precise optical design provides uniform illumination on vertical surfaces up to the ceiling line and minimizes aperture brightness. The optical assembly provides 360° horizontal rotation and may be removed from the fixture housing as a unit for easy relamping.
- **Reflectors are available in three clear natural aluminum finishes** — semi-specular (C), slightly diffuse (V) or fully diffuse (EC) — as well as champagne gold or black Alzak®. Other reflector finishes are available on special order.
- **Fixture includes a pair of mounting bars (3/4" x 27" C channel).** Specialty bars for wood joist and T-bar installations are also available.
- **Housing is constructed from 20-gauge electro-zinc, polyester-coated steel** in Edison Price Lighting's American factory. Heavy-gauge metals, an additional protective coating, and American manufacturing guarantees long-lasting durability.
- **For more information, [click here](#).**



PRODUCT CODE

For complete product code, list basic unit and select one item from each following box.

Basic Unit	FOUR-MRE-WL	
Reflector Color and Detail	Overlap	Trim Flush*
Semi-specular Clear.....	COL	CTF
Slightly diffuse Clear.....	VOL	VTF
Fully diffuse Clear.....	ECOL	ECTF
Champagne Gold	GOL	GTF
Black	BOL	BTF
Other reflector finishes available on special order.		
Standard reflector flange continues reflector finish. White painted flanges and custom painted flanges are available on special order. Add WF (white flange) or CCF (custom color flange).		
*Trim Flush reflector trim requires the use of a plaster ring Accessory (see below).		
▶ Reflectors detailed for metal or wood ceilings available on special order.		

ACCESSORIES

 Specify as a separate line item.

Plaster ring allows use of 4 7/8" OD Trim Flush (-TF) reflector in sheetrock ceiling; 5 3/16" dia hole required.....TF RING/4

APPLICATIONS

Standard fixture is listed for Damp Location. Fixture includes an integral electronic transformer. Fixture is prewired with thermal protector, suitable for use in a fire rated ceiling and approved for ten #12 wire 90°C branch circuit pull-through wiring. Removal of the reflector allows access to the transformer and junction box.



Lamp (By Others) Dimming Info

Edison Price Lighting does not include lamps and does not sell either lamps or their accessories. For dimming compatibility consult the lamp manufacturer's website.

- **Install-from-below**, see [PRESTO MRE/4 WL](#)



41-50 22ND STREET, LIC. NY 11101 TEL 718.685.0700 FAX 718.786.8530 www.epl.com

©Copyright, Edison Price Lighting 2019

®Darklite, Washlite are registered trademarks of Edison Price Lighting

LED 0-342

10:19

For current lamp performance data, consult lamp manufacturer's website.