

ANGLUX PWG/4

recessed accent light

FEATURES

- **Anglux PWG/4 is a 4" aperture accent light** designed for use with a Philips 12-volt, GU5.3 base, MR-16 shaped, 'WarmGlow' retrofit LED lamp (supplied by others).
 - Philips WarmGlow 6.5MR16...
- **This lamp dims from 2700K to 2200K**, providing an experience similar to the dimming profile of an incandescent lamp.
- **Conical reflector, cut at 15°, minimizes aperture brightness.** Fixture provides 362° horizontal rotation and 0 – 45° angular lamp adjustment. Lamp is concentric with the aperture at 0°, allowing fixture to be used as a downlight. An optional downlight reflector, cut at 0°, is also available. Recess depth is only 6 3/4".
- **The fixture provides easy one-finger adjustment of both tilt and rotation after lamping.** Once focused, the adjustment can be locked in place.
- **Fixture accepts one or two of a number of Optical Accessories** including lenses, screens and color filters.
- **Reflectors are available in three clear natural aluminum finishes** — semi-specular (C), slightly diffuse (V) or fully diffuse (EC) — as well as champagne gold or black Alzak®. Other reflector finishes are available on special order. LightCharms® or LightPlate™ decorative trims may be ordered instead of standard reflectors.
- **Fixture includes a pair of mounting bars (3/4" x 27" C channel).** Specialty bars for wood joist and T-bar installations are also available.
- **For more information, click here.**

APPLICATIONS

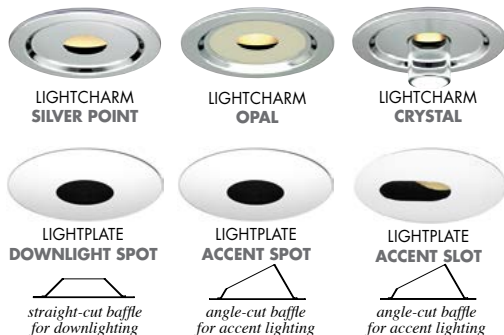
Fixture is recommended for directional accent and display highlighting in stores, offices, museums, restaurants, showrooms, residences and hotels.

Standard fixture is cULus listed for Damp Location. Fixture includes an integral electronic transformer suitable for 120-volt service only. Fixture is prewired with thermal protector, suitable for use in a fire rated ceiling and approved for ten #12 wire 90°C branch circuit pull-through wiring. Removal of the reflector allows access to the transformer and junction box.



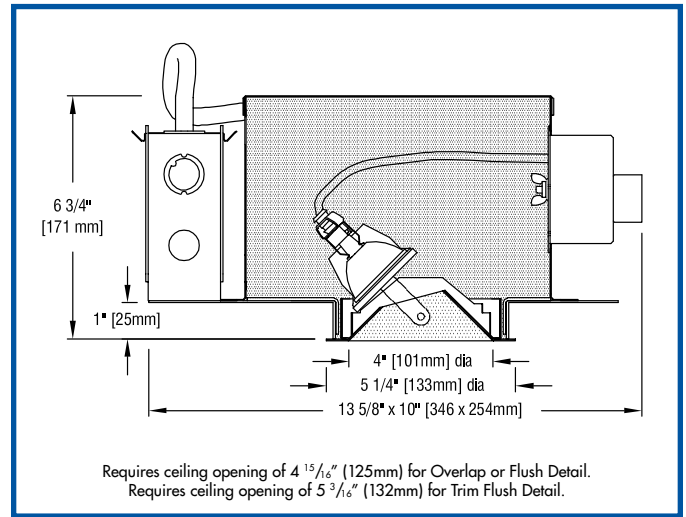
LIGHTCHARMS & LIGHTPLATES

LightCharms and LightPlates may be used instead of standard reflectors.



Lamp (By Others) Dimming Info

Edison Price Lighting does not include lamps and does not sell either lamps or their accessories. For dimming compatibility consult the lamp manufacturer's website.



PRODUCT CODE

For complete product code, list basic unit and select one item from each following box.

| | | |
|--|-----------------|-------------|
| Basic Unit | FOUR-MRE-AA-PWG | |
| Reflector Color and Detail | Overlap | Trim Flush* |
| Semi-specular Clear | COL | CTF |
| Slightly diffuse Clear | VOL | VTF |
| Fully diffuse Clear | ECOL | ECTF |
| Champagne Gold | GOL | GTF |
| Black | BOL | BTF |
| Other reflector finishes available on special order. | | |
| Standard reflector flange continues reflector finish. White painted flanges and custom painted flanges are available on special order. Add WF (white flange) or CCF (custom color flange). | | |
| *Trim Flush reflector trim requires the use of a plaster ring Accessory (see below). | | |
| ▶ Reflectors detailed for metal or wood ceilings available on special order. | | |
| LightCharms or LightPlate may be ordered instead of the standard reflectors above. | | |
| LightCharm Silver Point | LC-SP | |
| LightCharm Opal | LC-O | |
| LightCharm Crystal | LC-C | |
| LightPlate Downlight Spot, white | DP-OL | DP-TF |
| LightPlate Accent Spot, white | AP-OL | AP-TF |
| LightPlate Accent Slot, white | AL-OL | AL-TF |
| Custom painted trims for LightPlate are available on special order. Add -CC | | |

OPTIONS Specify by adding to the basic unit.

| | |
|----------------------------------|---|
| 0° cut downlight reflector | 0 |
|----------------------------------|---|

ACCESSORIES Specify as a separate line item.

| | |
|--|-----------|
| Plaster ring allows use of 4 7/8" OD Trim Flush (-TF) reflector in sheetrock ceiling; 5 3/16" dia hole required..... | TF RING/4 |
|--|-----------|

OPTICAL ACCESSORIES ▼ See next page



OPTICAL ACCESSORIES

Specify as separate line items.

All are 2 3/8" (60mm) diameter. Lenses and filters are glass; screens are aluminum.

| | |
|---|-----------------|
| diffuse glass | DGS/2.375 |
| prismatic lens | PLS/2.375 |
| 55° spread lens | LENS/2.375 |
| 40° x 70° spread lens | LENS/2.375-4070 |
| beam smoother | CLR/2.375 |
| 33% light reduction screen | SCR33/2.375 |
| 50% light reduction screen | SCR50/2.375 |

| | |
|----------------------|-----------|
| color filters | |
| surprise pink | PNK/2.375 |
| daylight blue | DAY/2.375 |
| amber | AMB/2.375 |
| blue | BLU/2.375 |
| green | GRN/2.375 |
| red | RED/2.375 |

For current lamp performance data, consult lamp manufacturer's website.